



DL5 IC, DL6 IC, DL15 IC and DL16 IC system User manual

Contents

Preface	3
Valid for	4
Important information	5
Safety instructions	5
Safety issues.....	6
Before installation, reinstallation or troubleshooting.....	7
Before start-up.....	7
During operation.....	7
Misc.....	7
Only for EU markets	8
Only for Non-EU markets	8
Misuse	8
Repairs	9
Manufacturer's declaration	9
Declaration of conformity	10
Misc. on the DESKLINE® DL5 IC / DL6 IC / DL15 IC / DL16 IC system	12
Warranty.....	12
Maintenance.....	12
ETL-marking	13
Description of the DESKLINE® DL5 IC / DL6 IC / DL15 IC / DL16 IC system	14
Installation	15
Mounting guidelines for the DL5 IC / DL6 IC / DL15 IC / DL16 IC system.....	15
Mounting guidelines for the DL5 IC / DL6 IC / DL15 IC / DL16 IC (foot part).....	16
Mounting the feet.....	17
Mounting a crossbar.....	18
Mounting the tabletop.....	19
Placing the monitor.....	19
Connection.....	20
Accessories	21
Disposal of LINAK products	22
Labels	23
Drawing appendix	24
Addresses	33

Preface

Dear User,

We are delighted that you have chosen a product from LINAK®. LINAK systems are high-tech products based on many years of experience in the manufacture and development of actuators, electric control boxes, controls and chargers.

This User Manual does not address the end-user. It is intended as a source of information for the manufacturer of the equipment or system only, and it will tell you how to install, use and maintain your LINAK electronics. It is the responsibility of the manufacturer of the end-user product to provide a User Manual where relevant safety information from this manual is passed on to the end-user.

We are sure that your LINAK product/system will give you many years of problem-free operation. Before our products leave the factory, they undergo full function and quality testing. Should you nevertheless experience problems with your LINAK product/system, you are always welcome to contact your local contact. LINAK subsidiaries and some distributors situated all over the world have authorised service centres, which are always ready to help you.

LINAK provides a limited warranty on its products. This warranty is, however, subject to correct use in accordance with the specifications, maintenance being done correctly, and any repairs being carried out at a service centre, which is authorised to repair LINAK products. Changes in installation and use of LINAK products/systems can affect their operation and durability. The products are not to be opened by unauthorised personnel. You can review the full terms of the LINAK warranty on the LINAK website www.linak.com/warranty.

The User Manual has been written based on our present technical knowledge. We are constantly working on updating the information and we therefore reserve the right to carry out technical modifications..

LINAK A/S

Valid for:

This User Manual is valid for the following products:

(See the first 3 - 5 characters on the label)

Columns: 2 lifting columns DL5 IC standard / DL5 IC PLUS™ / DL6 IC standard / DL6 IC PLUS™ / DL15 IC / DL16 IC

Power supply: SMPS001, SMPS002 or SMPS006

Controls: DPA / DPB / DPH / DP1K / DPF1K / DPG1K

Important information

Important information on LINAK® products can be found under the following headings:



Warning!

Failure to comply with these instructions may result in accidents involving serious personal injury.



Failing to follow these instructions can result in the product being damaged or being destroyed.

Safety instruction



General

Safe use of the system is possible only when the operating instructions are read completely and the instructions contained are strictly observed.

Failure to comply with instructions marked with the "NOTE" symbol may result in serious damage to the system or one of its components.



It is important for everyone who is to connect, install, or use the systems to have the necessary information and access to this User Manual. Follow the instructions for mounting - there is a risk of injury if these instructions are not followed.



The appliance is not intended for use by young children or infirm persons without supervision.



If there is visible damage to the product, do not install it.



Please note that during construction of applications in which the actuator is to be fitted, there must be no possibility of personal injury, for example squeezing of fingers or arms.



Only the power supply type SMPS001, SMPS002 or SMPS006, shall be used with the system.

The power supply shall not be covered while operating to allow sufficient cooling of this appliance.

Furthermore take care about the connecting wires from the power supply to the DL5 IC / DL6 IC / DL15 IC / DL16 IC system, don't damage this by overrun.



Assure free space for movement of the application in both directions to avoid blockades.



The appliance is only to be used with the power supply unit provided with the appliance.

Safety issues



The builder of the equipment shall ensure that the use of the component complies with relevant standards – like the Machine Directive. Care must be taken to avoid squeezing of cables as it can cause movement of the system!



The SMPS001 / SMPS002 / SMPS006 must not be packed in heat insulating material, but must be placed so that it can emit waste heat to the surroundings. There are no ventilation holes to consider, the SMPS emits heat through its surface.



Only the power supply type SMPS001, SMPS002 or SMPS006, shall be used with the system.

Before installation, re-installation, or troubleshooting:

- Stop the DL.
- Switch off the power supply and pull out the mains plug.
- Relieve the DL of any loads, which may be released during the work.

Before start-up:

- Make sure that the system has been installed as instructed in this User Manual.
- Make sure that the voltage of the control box is correct before connecting the system to the mains.
- System connection. The individual parts must be connected before connecting the control box to the mains. See the User Manual for LINAK actuators, if necessary.

During operation

- If the column makes unusual noise or smells, switch off the mains voltage immediately.
- Take care that the cables are not damaged.
- Unplug the mains cable on mobile equipment before moving it.
- The products must only be used in an environment that corresponds to their IP protection.

Misc.

The actuator system has a sound level below 55 dB (A) in typical applications.

Updated manuals and declarations can always be found here:
www.linak.com/deskline

Only for EU markets



This appliance can be used by children aged from aged 8 years and above and persons with reduced physical, sensory or mental capabilities or lack of experience and knowledge if they have been given supervision or instruction concerning use of the appliance in a safe way and understand the hazards involved.



Children shall not play with the appliance. Cleaning and user maintenance shall not be made by children without supervision.

Only for Non-EU markets



Persons who do not have the necessary experience or knowledge of the product/products must not use the product/products. Besides, persons with reduced physical, sensory or mental abilities must not use the product/products, unless they are under surveillance or they have been thoroughly instructed in the use of the apparatus by a person who is responsible for the safety of these persons.



Moreover, children must be under surveillance to ensure that they do not play with the product.



It is the operator's responsibility to ensure that there is free space for the application to move without risk for the operator or bystanders before operating the application.

Misuse



Do not overload the actuators – this can cause danger of personal injury and damage to the system.



Do not use the actuator system for lifting persons. Do not sit or stand on a table while operating – risk of personal injury.



Do not use the system in environments other than the intended indoor use

Repairs

In order to avoid the risk of malfunction, all DESKLINE® repairs must only be carried out by authorised LINAK service centres or repairers, as special tools must be used and special gaskets must be fitted. Products under warranty must also be returned to authorised LINAK service centres.

Further information on DESKLINE warranty can be found on the LINAK website www.linak.com/warranty.



Warning!

If any of the DESKLINE® products are opened, there will be a risk of subsequent malfunction.



Warning!

The DESKLINE® systems do not withstand cutting oil.

Manufacturer's declaration

DECLARATION OF INCORPORATION OF PARTLY COMPLETED MACHINERY

LINAK A/S
Smedevænget 8
DK - 6430 Nordborg

Herewith declares that LINAK DESKLINE® products as characterized by the following models and types:

Control Boxes	CBD6S
Linear Actuators	DB5, DB6, DB14, LA23, LA31
Lifting Columns	DL1A, DL2, DL4S, DL5, DL5IC, DL6, DL6IC, DL7, DL8, DL8IC, DL9, DL9IC, DL10, DL10IC, DL11, DL11IC, DL12, DL14, DL15, DL16, DL16IC, DL17, DL19, DL19IC, BASE1
Desk Panels	DPA, DPB, DPH, DPF, DPG, DPT, DP, DP1CS
RF Controls	HB10RF, HB20RF, RFRL
Accessories	BA001, BLE2LIN, DS1, DF2, Kick & Click, SLS, SMPS001, SMPS002, SMPS006

comply with the following parts of the Machinery Directive 2006/42/EC, ANNEX I, *Essential health and safety requirements relating to the design and construction of machinery*:

1.5.1 Electricity supply

The relevant technical documentation is compiled in accordance with part B of Annex VII and that this documentation or part hereof will be transmitted by post or electronically to a reasoned request by the national authorities.

This partly completed machinery must not be put into service until the final machinery into which it is to be incorporated has been declared in conformity with the provisions of the Machinery Directive 2006/42/EC where appropriate.

Nordborg, 2019-05-27

LINAK A/S
John Kling, B.Sc.E.E.
Certification and Regulatory Affairs
Authorized to compile the relevant technical documentation

Declaration of confirmity

LINAK A/S
Smedevænget 8
DK - 6430 Nordborg

hereby declares that LINAK Actuator System composed of:

Lifting Column with integrated control, DLIC Master: DLXXXXXXXXXXXXXXX or
DLXXXXXXXXXXXXXXX

And

Passive Actuators, DLIC Slave DLXXXXXXXXXXXXXXX or
DLXXXXXXXXXXXXXXX

And

Control panel DP1C, DP1K, DPT, DPB, DPF, DP1L, DP1V, DPA, DPH, DP1U,
WDPL1

complies with EMC Directive: 2014/30/EU according to following standards:
EN 61000-6-1:2007, EN 61000-6-3:2007, EN 55022:2010 Class B

complies with Low Voltage Directive 2006/95/EC according to the standards:
EN 60335-1:2012

complies with RoHS2 Directive 2011/65/EU according to the standard:
EN 50581:2012

And

RF Control: RFRL00x, HB1xRF3000, HB2xRFx000; RFT000

complies with the Radio Equipment Directive 2014/53/EU:
EN 300220-2:2006, EN 61000-6-1:2007, EN 61000-6-3:2007,
EN 60335-1:2012, EN 62311:2008

complies with RoHS2 Directive 2011/65/EU according to the standard:
EN 50581:2012

Nordborg, 2017-08-25



LINAK A/S
John Kling, B.Sc.E.E.
Certification and Regulatory Affairs
Authorized to compile the relevant technical documentation

The RoHS mark is only applicable for the end product. Therefore, it must be obtained by the manufacturer of the end products. LINAK® can, however, supply the required material information on our products.

For more information, visit: <https://www.linak.com/about/declarations/>

or contact: chemicalcompliance@linak.com

Declaration of conformity

DECLARATION OF CONFORMITY

LINAK A/S
Smedevænget 8
DK - 6430 Nordborg

hereby declares that LINAK Switch Mode Power Supply, type SMPS006

complies with the EMC Directive: 2014/30/EU according to following standards:
EN 61000-6-1:2007, EN 61000-6-3:2007

complies with Low Voltage Directive 2014/35/EU according to the standard:
EN 61558-2-16:2009

complies with RoHS2 Directive 2011/65/EU according to the standard:
EN 50581:2012

This declaration of conformity is issued under the sole responsibility of the manufacturer

Nordborg, 2020-02-24

LINAK A/S

Dragan Macura,
Regulatory Compliance Manager
Deskline and Homeline Segments
Authorized to compile the relevant technical documentation

Original Declaration

Misc. on the DESKLINE® DL5 IC / DL6 IC / DL15 IC / DL16 IC system

This system is a DESKLINE system developed for desks and for indoor use in offices. Do not use it in industrial kitchens or in other environments that have to be cleaned with aggressive detergents.

Do not bolt the legs to the floor so that free movement is prevented. This could cause serious damage to the legs in fault situations.

Warranty

This DESKLINE product is subject to warranty pursuant to the terms of LINAK DESKLINE Warranty Paper, available on the LINAK website www.linak.com/warranty.

Maintenance

Clean dust and dirt on the outside of the system at appropriate intervals and inspect them for damage and breaks. Inspect the connections, cables, and plugs and check for correct functioning as well as fixing points.

Service of double-insulated products:



Class II

A Class II or **double insulated** electrical appliance is one which has been designed in such a way that it does not require a safety electric earth connection (US: ground).

The basic requirement is that no single failure can result in dangerous voltage becoming exposed so that it might cause an electric shock and that this is achieved without relying on an earthed metal casing. This is usually achieved at least in part by having two layers of insulating material surrounding live parts or by using reinforced insulation.

There is no earthing/grounding means provided on the product, and no earthing/grounding means is to be added to the product.

In Europe, a double insulated appliance must be labelled "Class II", "double insulated" or bear the double insulation symbol (a square inside another square).

Servicing a double-insulated product requires extreme care and knowledge of the system, and is to be done only by qualified service personnel. Replacement parts for a double-insulated product must be identical to the parts they replace.



Cleaners and disinfectants must not be highly alkaline or acidic (pH value 6-8).

ETL-marking

Due to space limitations, the complete ETL-marking demands are not represented on the marking plates.

The full ETL Recognized Component markings are shown here.



C/N 120690

Conforms to UL962
Cert. to CSA Std. C22.2 No. 68-09

ETL Recognized Component mark for Canada and United States



C/N 9901916

Conforms to UL962
Cert. to CSA Std. C22.2 No. 68-09

ETL Recognized Component mark for Canada and United States



C/N 4008003

Conforms to UL962
Cert. to CSA Std. C22.2 No. 68-09

ETL Recognized Component mark for Canada and United States



C/N 4008004

Conforms to UL962
Cert. to CSA Std. C22.2 No. 68-09

ETL Recognized Component mark for Canada and United States



C/N 4008005

Conforms to UL962
Cert. to CSA Std. C22.2 No. 68-09

ETL Recognized Component mark for Canada and United States



C/N 4008671

Conforms to UL962
Cert. to CSA Std. C22.2 No. 68-09

ETL Recognized Component mark for Canada and United States



C/N 4009507

Conforms to UL962
Cert. to CSA Std. C22.2 No. 68-09

ETL Recognized Component mark for Canada and United States

Description of the DESKLINE® DL5 IC / DL6 IC / DL15 IC / DL16 IC system

Application of the DESKLINE® DL5 IC / DL6 IC / DL15 IC / DL16 IC system:

Irrespective of the load the **duty cycle 10% ~ 2 minutes at continuous use** stated in the data sheets, must **NOT** be exceeded as this will result in a superheating of the motor, the brake and the spindle nut. Exceeding the duty cycle will result in a dramatic reduction of the life of the system.

A DL IC system typically consists of:

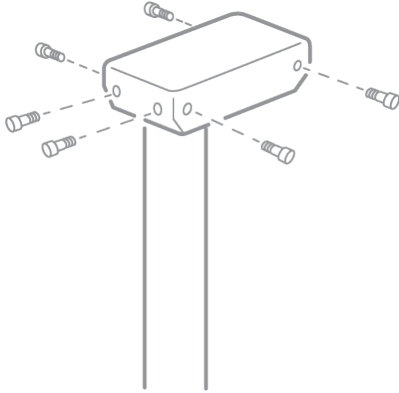
- 2 lifting columns DL5 IC standard / DL5 IC PLUS™ / DL6 IC standard / DL6 IC PLUS™ / DL15 IC / DL16 IC
- Power supply SMPS001, SMPS002 or SMPS006
- Desk panel DPA, DPB, DPH, DP1K, DPF1K, DPG1K
- Exchangeable cables

Installation

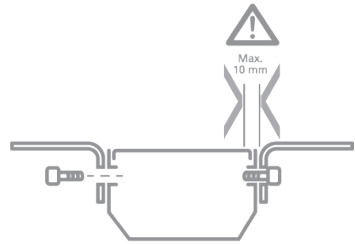
Mounting guidelines for the DESKLINE DL5 IC / DL6 IC / DL15 IC / DL16 IC system

The motor housing is supplied with six M6 threaded holes for mounting on the top frame.

1. Mount motor housing on top frame using six M6 screws with the following specifications:
Quality: Min. grade 8.8
Length: Max. 10 mm (plus top frame thickness). The screw must not go further than max. 10 mm into the motor housing
2. Fasten screws thoroughly (torque: max. 7.5 Nm).



Always use six M6 screws for mounting the motor housing on the top frame



Mounting screws must not go further than max. 10 mm into the motor housing



Sufficient stability of the desk is only obtained if all six M6 screws are used for mounting the motor housing on the top frame. Tests with fixing the motor housing using only four M6 screws have proved that the torsional stability of the desk this is insufficient.



LINAK recommends using the DL IC DESKLINE® system in push applications with the motor housing mounted upwards.

Alternatively, use the Kick & Click™ top frame and avoid screws to get easy desk assembly.

Mounting guidelines for the DL5 IC / DL6 IC / DL15 IC / DL16 IC (foot part)

Mounting the feet

The DL5 IC / DL6 IC bottom plate is supplied with four M6 and two M8 threaded holes.

1. Mount column bottom on desk feet using four M6 or two M8 screws with the following specifications:

Quality: Min. grade 8.8

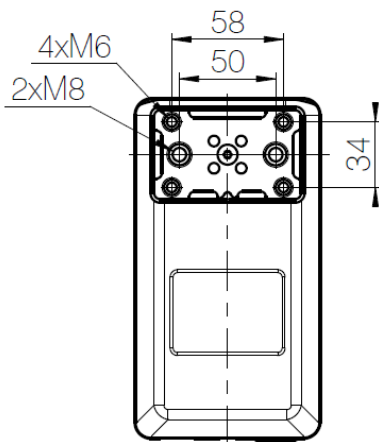
Length: Min. 10 mm (plus foot thickness);

Max. 16 mm (plus foot thickness) for M6

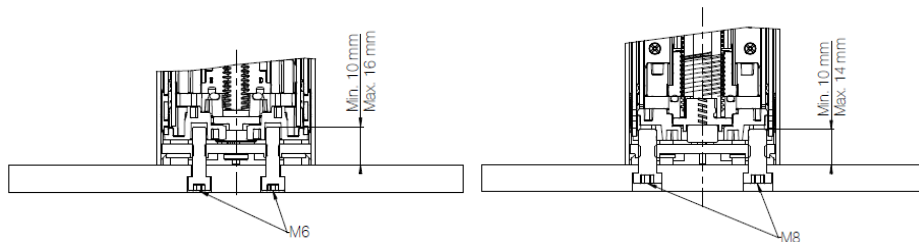
Max. 14 mm (plus foot thickness) for M8

2. Fasten screws thoroughly (torque: max. 10 Nm).

The holes in the foot must be sufficiently larger than $\varnothing 6/\varnothing 8$ to ensure space for the screw heads to be screwed fully into the foot.



DL5 IC / DL6 IC bottom plate



Column bottom mounted on desk foot (left: M6; right: M8)

Mounting the feet

The DL15 IC / DL16 IC bottom plate is supplied with four M6 threaded holes.

1. Mount column bottom on desk feet using four M6 screws with the following specifications:

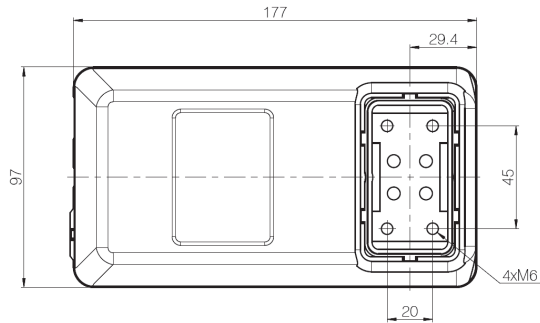
Quality: Min. grade 8.8

Length: Min. 10 mm (plus foot thickness);

Max. 20 mm (plus foot thickness)

2. Fasten screws thoroughly (torque: max. 10 Nm).

The holes in the foot must be sufficiently larger than $\varnothing 6$ to ensure space for the screw heads to be screwed fully into the foot..

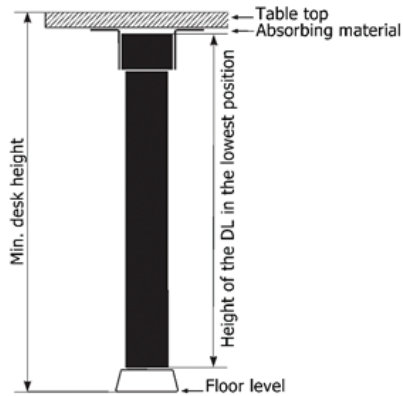


DL15 IC / DL16 IC bottom plate

Mounting the tabletop

The sound from the lifting column spreads as vibrations to the tabletop which amplifies the sound. This can, however, be reduced.

1. Place vibration/shock-absorbing material between tabletop and top frame.

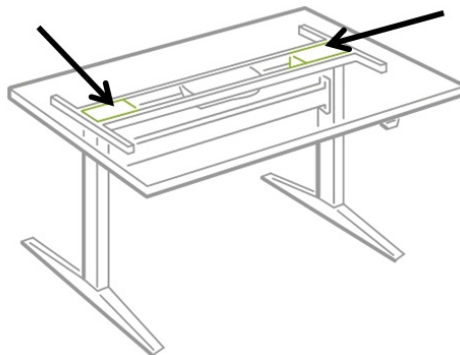


Assembled desk

Placing the monitor

Placement of a monitor directly above the motor housing may cause malfunction of the monitor.

Magnets inside the motor may interrupt the picture on the monitor depending on the distance and type of monitor. If this is the case, the problem may be solved by placing an iron plate/tube or another magnetic material, somewhat larger than the motor housing, between the motor and the tabletop.



Recommended placement of an iron plate/tube or another magnetic material

Connection:

Items required:



Motor cable

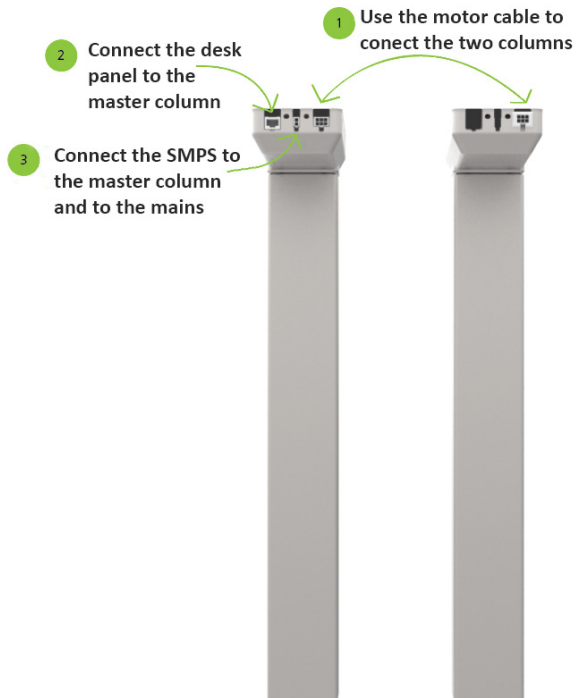


Desk panel (example)



SMPS + cable

1. Connect the master and follower columns using the motor cable.
2. Mount the desk panel onto the desk and connect it to the master column.
3. Connect the SMPS to the master column and to the mains.



It is important to ensure that the motor cables are fixed, but not tightened, near the columns.

Fix the cable to the tabletop using a clip observing the 30 mm minimum bending radius (R).



Accessories

Ordering accessories

Order from your nearest LINAK® contact, distributor or subsidiary.

Accessories

Please contact your nearest LINAK® contact, distributor or subsidiary.



Warning!

By unauthorised opening of the system there is a risk that it may malfunction at a later date.

Spare parts

Please contact your nearest LINAK contact for information on spare parts.

Disposal of LINAK product

As LINAK customers often ask us how our products can be disposed or scrapped we have prepared this guide that enables a classification to different waste fractions for recycling or combustion.

Guide

We recommend our products to be disassembled as much as possible and divided into different waste groups for recycling or combustion.

For example, waste can be sorted into metals, plastics, cable scrap, combustible material, and recoverable resources.

Some of these main groups can be further divided into subgroups; e.g. metal can be divided into steel/aluminium/copper and plastic can be divided into ABS/PA/PE/PP.

As an example, the table below breaks down the different components in LINAK products to various recycling groups:

Product	Components	Recycling group
Columns/ Actuator :	Spindle and motor Plastic housing Cable PCB boards	Scrap Plastic recycling or combustion Cable scrap or combustion Electronics scrap
Control Box / PCB :	PCB boards Plastic housing Cable Transformer	Electronics scrap Plastic recycling or combustion Cable scrap or combustion Metal scrap
Desk panel :	Plastic housing Cable PCB board	Plastic recycling or combustion Cable scrap or combustion Electronics scrap

By now almost all our casted plastic parts are supplied with an interior code for plastic type and fibre content, if any.

Main groups of disposal

Product main groups	Metal Scrap	Cable scrap	Electronics scrap	Plastic recycling or combustin	Comments
DLXX IC	X	X	X	X	
DPXX		X	X	X	
SMPS			X	X	

Disposal of batteries

Details regarding safe disposal of used and leaking batteries:

Batteries should be disposed in accordance with appropriate federal, state and local regulations. LINAK recommends that used or leaking batteries are disposed through local recycling system. Please do not throw used or leaking batteries in normal household waste or in nature. This will cause damage to the environment.

How to deal with leaking batteries.

Leaking batteries should be disposed as described above.

If leaking batteries are discovered in the products, the batteries must be moved immediately to minimise damage to the product. If leaking batteries are left in the product it might become defect.

It is recommended to use plastic gloves when handling of leaking batteries. The contents of a leaking batteries can cause chemical burns and respiratory irritation.

If exposed to the contents of a leaking battery, please wash with soap and water. If irritation persists, please seek medical attention. In case of eye contact, please flush eyes thoroughly with water for 15 minutes and seek medical attention."

Labels

Label for DL5 IC Master

LINAK®  **GROUP HEADQUARTERS**
WE IMPROVE YOUR LIFE SMEDEVAENGET 8
DESIGNED IN DENMARK DK 6430 NORDBORG

Item No. : DL5000ANM500645
 Prod. Date : 2015.11.25
 Max Load : 500 N
 Power Rate: 24-30 V= / Max. 8.0 A
 Duty Cycle : 10%, Max. 2 min. / 18 min.   120690
 NOT TO BE OPENED BY UNAUTHORIZED PERSONNEL
 NE PAS OUVRIER PAR DU PERSONNEL NON AUTORISE

 W/O #0001 MADE BY LINAK A/S DENMARK

S.W. P.N. : 3002002 Ver. 1.08

 NOT TO BE OPENED BY UNAUTHORIZED PERSONNEL
 NE PAS OUVRIER PAR DU PERSONNEL NON AUTORISE

Label for DL5 IC Follower

LINAK®  **GROUP HEADQUARTERS**
WE IMPROVE YOUR LIFE SMEDEVAENGET 8
DESIGNED IN DENMARK DK 6430 NORDBORG


Item No. : DL5000ANS00645
 Prod. Date : 2015.11.25
 Max Load : 500 N
 Power Rate: 18 V= / Max. 10.0 A
 Duty Cycle : 10%, Max. 2 min. / 18 min.   120690
 NOT TO BE OPENED BY UNAUTHORIZED PERSONNEL
 NE PAS OUVRIER PAR DU PERSONNEL NON AUTORISE

 W/O #0001 MADE BY LINAK A/S DENMARK



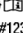


S.W. P.N. : 3002002 Ver. 1.08

 NOT TO BE OPENED BY UNAUTHORIZED PERSONNEL
 NE PAS OUVRIER PAR DU PERSONNEL NON AUTORISE

Label for DL5 IC PLUS™ Master


LINAK®  **GROUP HEADQUARTERS**
Designed in Denmark
DK - 6430 Nordborg

Item No. : DL5000BPM500645
 Prod. Date : 2020.08.24 S.W.P.N.:3002002 Ver.1.13
 Max. Load : 500 N
 Power Rate: 24-30 V=, 8.0 A
 Duty Cycle : 10%, Max. 2 min. / 18 min.

     120690

W/O #12345678-0001 MADE IN DENMARK

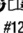
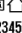
S.W. P.N. : 3002002 Ver. 1.08

 NOT TO BE OPENED BY UNAUTHORIZED PERSONNEL
 NE PAS OUVRIER PAR DU PERSONNEL NON AUTORISE

Label for DL5 IC PLUS™ Follower

LINAK®  **GROUP HEADQUARTERS**
Designed in Denmark
DK - 6430 Nordborg

Item No. : DL5000BPS500645
 Prod. Date : 2020.08.24
 Max. Load : 500 N
 Power Rate: 18 V=, Max. 10.0 A
 Duty Cycle : 10%, Max. 2 min. / 18 min.

     120690

W/O #12345678-0001 MADE IN DENMARK

S.W. P.N. : 3002002 Ver. 1.08

 NOT TO BE OPENED BY UNAUTHORIZED PERSONNEL
 NE PAS OUVRIER PAR DU PERSONNEL NON AUTORISE

Label for DL6 IC Master

LINAK®  **GROUP HEADQUARTERS**
WE IMPROVE YOUR LIFE SMEDEVAENGET 8
DESIGNED IN DENMARK DK 6430 NORDBORG

Item No. : DL6000ANM650560
 Prod. Date : 2015.11.25
 Max Load : 500 N
 Power Rate: 24-30 V= / Max. 8.0 A
 Duty Cycle : 10%, Max 2 min. / 18 min.   120690
 NOT TO BE OPENED BY UNAUTHORIZED PERSONNEL
 NE PAS OUVRIER PAR DU PERSONNEL NON AUTORISE

 W/O #0001 MADE BY LINAK A/S DENMARK

S.W. P.N. : 3002002 Ver. 1.08

 NOT TO BE OPENED BY UNAUTHORIZED PERSONNEL
 NE PAS OUVRIER PAR DU PERSONNEL NON AUTORISE

Label for DL6 IC Follower

LINAK®  **GROUP HEADQUARTERS**
WE IMPROVE YOUR LIFE SMEDEVAENGET 8
DESIGNED IN DENMARK DK 6430 NORDBORG

Item No. : DL6000ANS650560
 Prod. Date : 2015.11.25
 Max Load : 500 N
 Power Rate: 18 V= / Max. 10.0 A
 Duty Cycle : 10%, Max 2 min. / 18 min.   120690
 NOT TO BE OPENED BY UNAUTHORIZED PERSONNEL
 NE PAS OUVRIER PAR DU PERSONNEL NON AUTORISE

 W/O #0001 MADE BY LINAK A/S DENMARK

S.W. P.N. : 3002002 Ver. 1.08

 NOT TO BE OPENED BY UNAUTHORIZED PERSONNEL
 NE PAS OUVRIER PAR DU PERSONNEL NON AUTORISE

Label for DL6 IC PLUS™ Master

LINAK®  **GROUP HEADQUARTERS**
Designed in Denmark
DK - 6430 Nordborg

Item No. : DL6000BPM650560
 Prod. Date : 2020.08.24 S.W.P.N.:3002002 Ver.1.13
 Max. Load : 500 N
 Power Rate: 24-30 V=, Max. 8.0 A
 Duty Cycle : 10%, Max. 2 min. / 18 min.

     120690

W/O #12345678-0001 MADE IN DENMARK



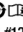
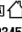

S.W. P.N. : 3002002 Ver. 1.08

 NOT TO BE OPENED BY UNAUTHORIZED PERSONNEL
 NE PAS OUVRIER PAR DU PERSONNEL NON AUTORISE

Label for DL6 IC PLUS™ Follower


LINAK®  **GROUP HEADQUARTERS**
Designed in Denmark
DK - 6430 Nordborg

Item No. : DL6000BPS650560
 Prod. Date : 2020.08.24
 Max. Load : 500 N
 Power Rate: 18 V=, Max. 10.0 A
 Duty Cycle : 10%, Max. 2 min. / 18 min.

     120690

W/O #12345678-0001 MADE IN DENMARK

S.W. P.N. : 3002002 Ver. 1.08

 NOT TO BE OPENED BY UNAUTHORIZED PERSONNEL
 NE PAS OUVRIER PAR DU PERSONNEL NON AUTORISE

Label for DL15 Master

LINAK® GROUP HEADQUARTERS
 WE IMPROVE YOUR LIFE **SMEDEVAENGET 8**
 DESIGNED IN DENMARK DK 6430 NORDBORG

Item No. : DL15000ANM500645
 Prod. Date : 2016.06.27
 Max Load : 500 N
 Power Rate : 24-30 V= / Max. 8.0 A
 Duty Cycle : 10%, Max. 2 min. / 18 min.  120 690

NOT TO BE OPENED BY UNAUTHORIZED PERSONNEL
 NE PAS OUVRIER PAR DU PERSONNEL NON AUTORISE

 W/O #-0001

   S.W. F.N. : 3002002 Ver. 1.08

Label for DL15 Follower

LINAK® GROUP HEADQUARTERS
 WE IMPROVE YOUR LIFE **SMEDEVAENGET 8**
 DESIGNED IN DENMARK DK 6430 NORDBORG

Item No. : DL15000ANS500645
 Prod. Date : 2016.06.27
 Max Load : 500 N
 Power Rate : 18 V= / Max. 10.0 A
 Duty Cycle : 10%, Max 2 min. / 18 min.  120 690

NOT TO BE OPENED BY UNAUTHORIZED PERSONNEL
 NE PAS OUVRIER PAR DU PERSONNEL NON AUTORISE

 W/O #-0001

Label for DL16 Master

LINAK® GROUP HEADQUARTERS
 WE IMPROVE YOUR LIFE **SMEDEVAENGET 8**
 DESIGNED IN DENMARK DK 6430 NORDBORG

Item No. : DL16000BM650560
 Prod. Date : 2016.06.27
 Max Load : 500 N
 Power Rate : 24-30 V= / Max. 8.0 A
 Duty Cycle : 10%, Max. 2 min. / 18 min.  120 690

NOT TO BE OPENED BY UNAUTHORIZED PERSONNEL
 NE PAS OUVRIER PAR DU PERSONNEL NON AUTORISE

 W/O #-0001

   S.W. F.N. : 3002002 Ver. 1.08

Label for DL16 Follower

LINAK® GROUP HEADQUARTERS
 WE IMPROVE YOUR LIFE **SMEDEVAENGET 8**
 DESIGNED IN DENMARK DK 6430 NORDBORG

Item No. : DL16000BS650560
 Prod. Date : 2016.06.27
 Max Load : 500 N
 Power Rate : 18 V= / Max. 8.0 A
 Duty Cycle : 10%, Max. 2 min. / 18 min.  120 690

NOT TO BE OPENED BY UNAUTHORIZED PERSONNEL
 NE PAS OUVRIER PAR DU PERSONNEL NON AUTORISE

 W/O #-0001

Label for SMP5001


LINAK®
 WE IMPROVE YOUR LIFE

Type : Power Supply
 Item No. : SMP5001
 Input : 230-240V~50Hz 1.2A
 Output : 24V ~~~~ 2A

Model No:ASW0539-24020002A
 Serial No: 0Y11227

NOT TO BE OPENED BY UNAUTHORIZED PERSONNEL



Made In China

Label for SMP5002


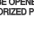

LINAK®
 WE IMPROVE YOUR LIFE

Type : Power Supply
 Item No. : SMP5002
 Input : 120V~60Hz 1.2A
 Output : 24V ~~~~ 2A

Model No:ASW0551-24020002A
 Serial No: P0.667240Y141030

NOT TO BE OPENED BY UNAUTHORIZED PERSONNEL

Made In China

Label for SMP5006

LINAK®
 WE IMPROVE YOUR LIFE

Type : Power Supply
 Item No: SMP5006
 Input: 100-240V - 50/60Hz 1.6A
 Output: 29V ~~~ 2A
 Model No:ASW0552-29020002B
 Serial No :P0.667240Y141030
 Int 10%, max. 6A 2min./18 min

CAUTION

- Risk of electric shock
- For indoor use only
- Do not open the unit
- Dry location use only

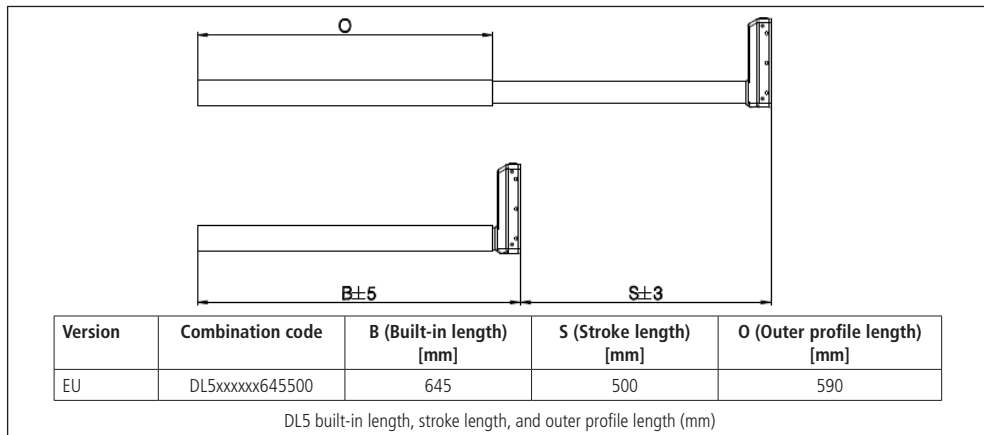
  

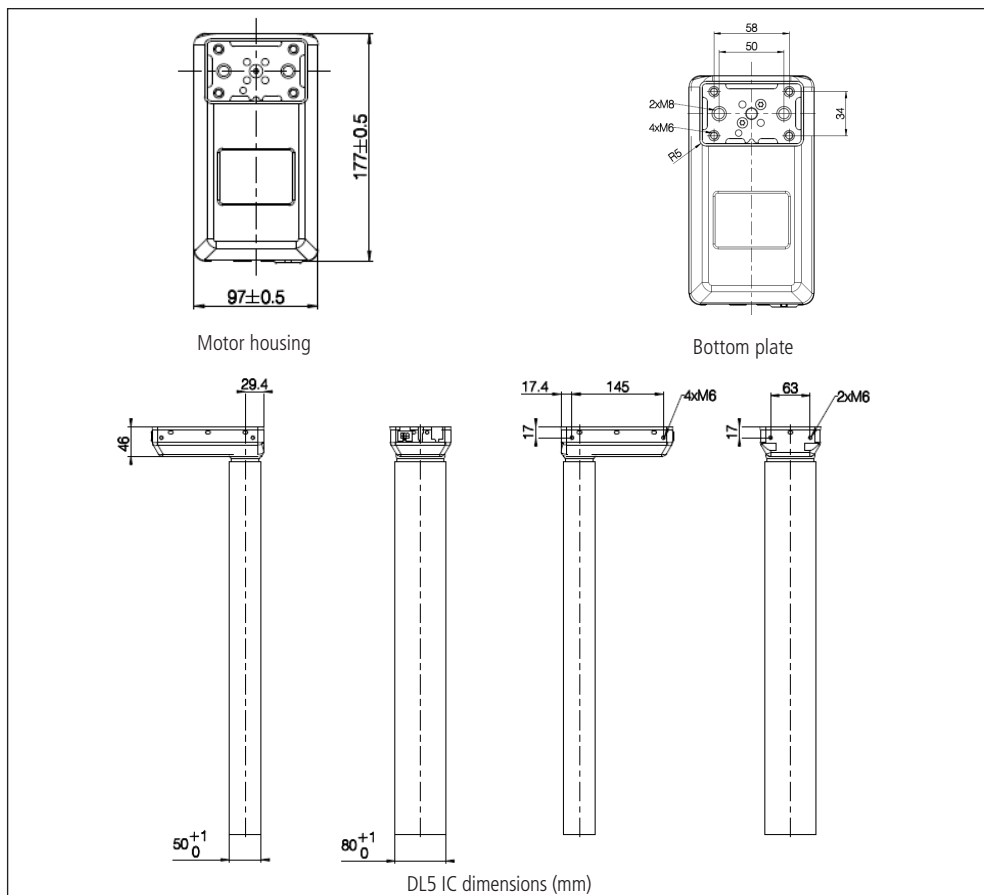
Made In China

DRAWING APPENDIX

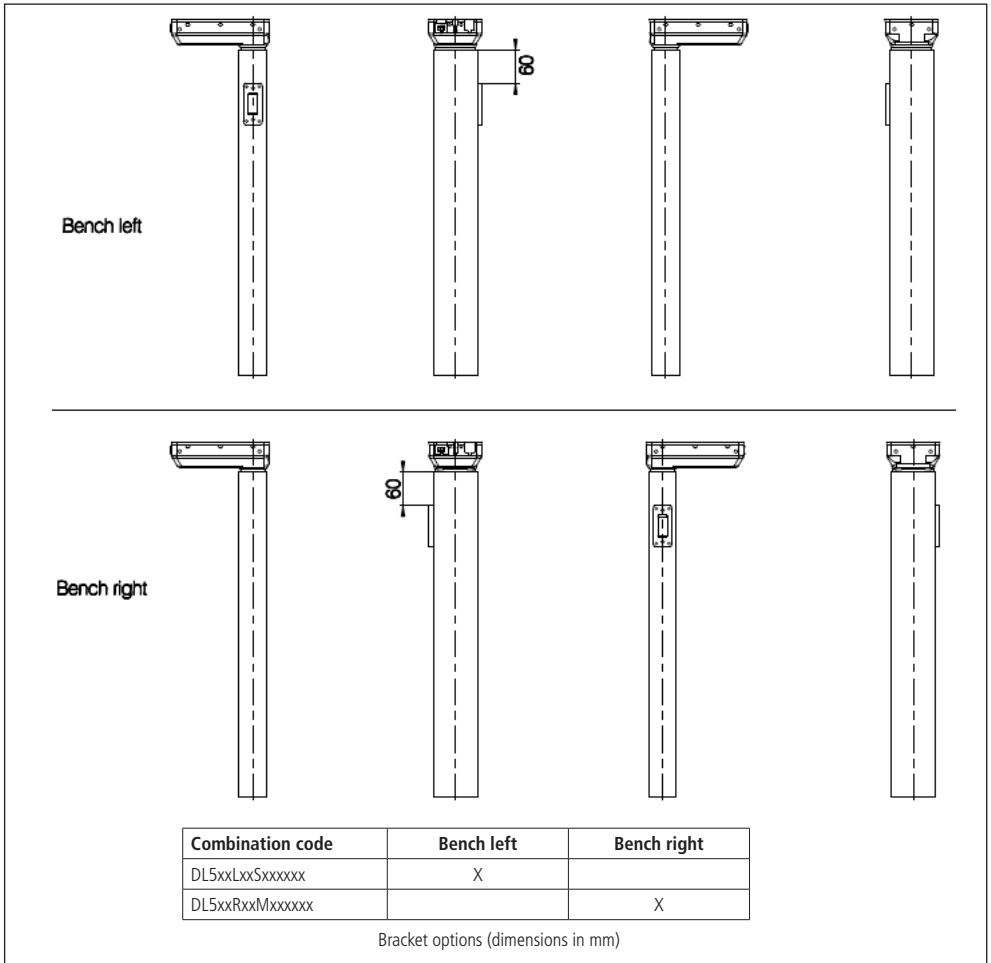
DL5 IC



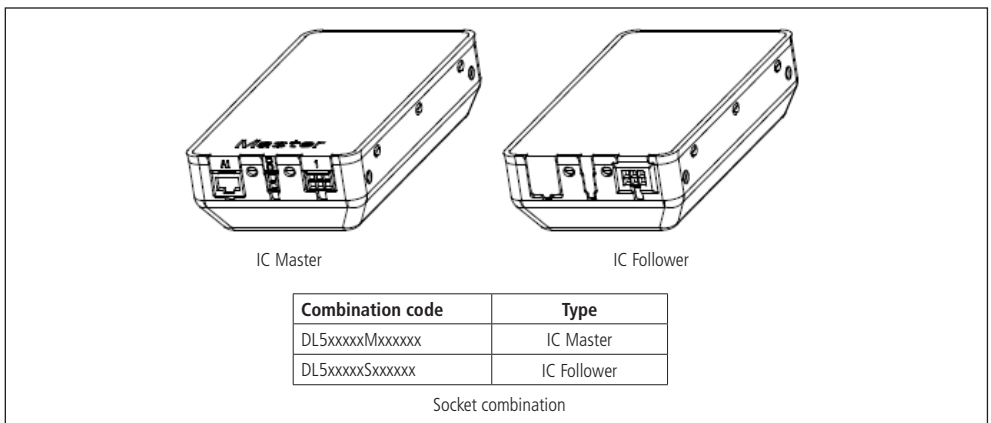
DL5 IC motor housing and profile dimensions (mm)

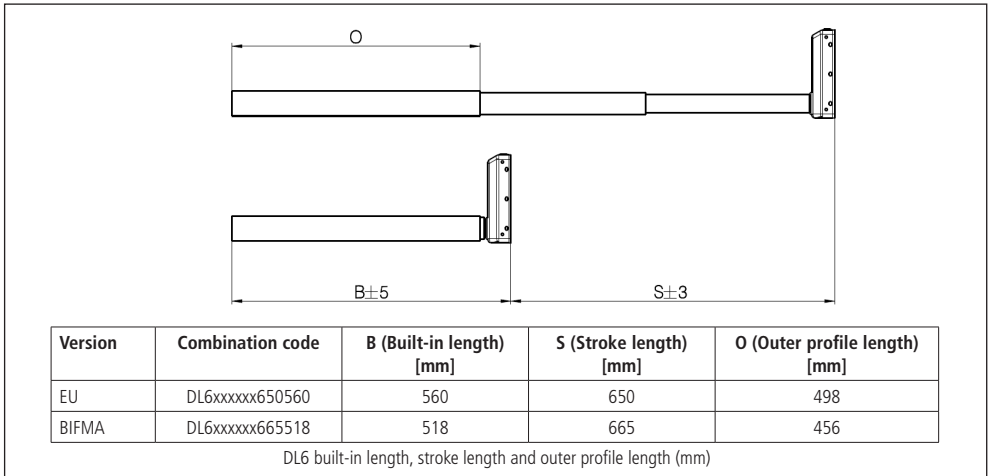


DL5 IC Bracket options

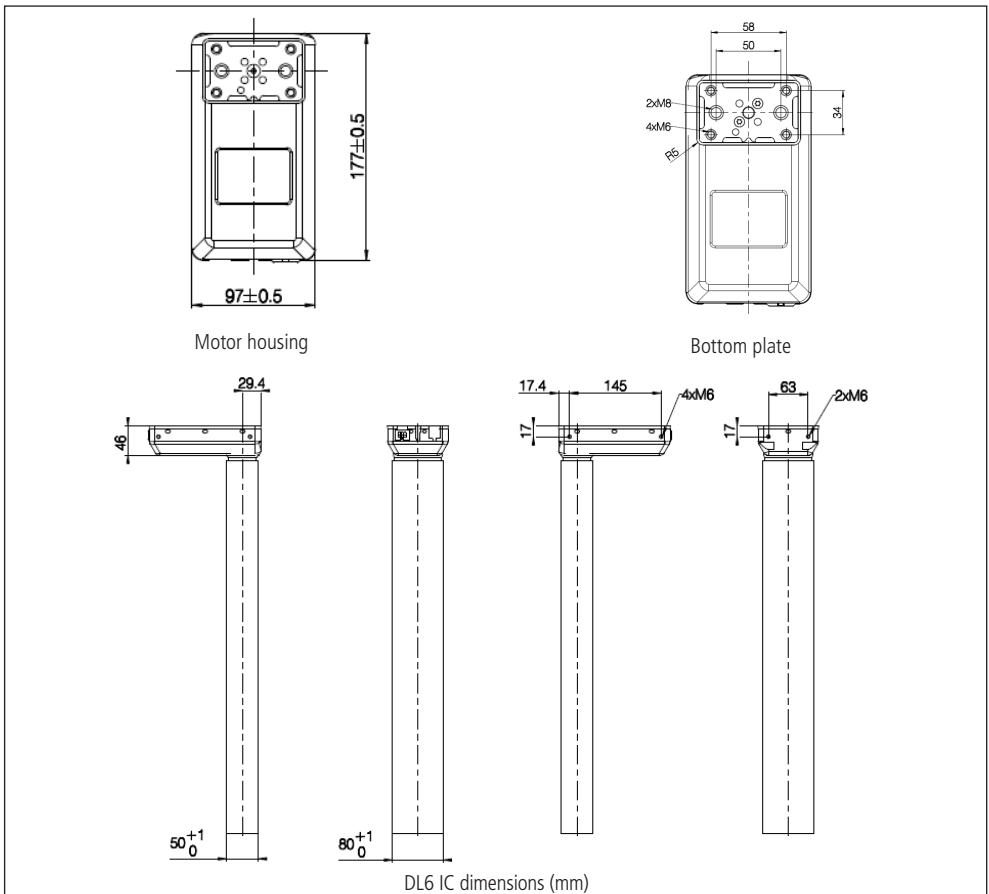


Socket





DL6 IC motor housing and profile dimensions (mm)



DL6 IC Bracket options

Bench left

Bench right

Combination code	Bench left	Bench right
DL6xxLxxSxxxxxx	X	
DL6xxRxxMxxxxxx		X

Bracket options (dimensions in mm)

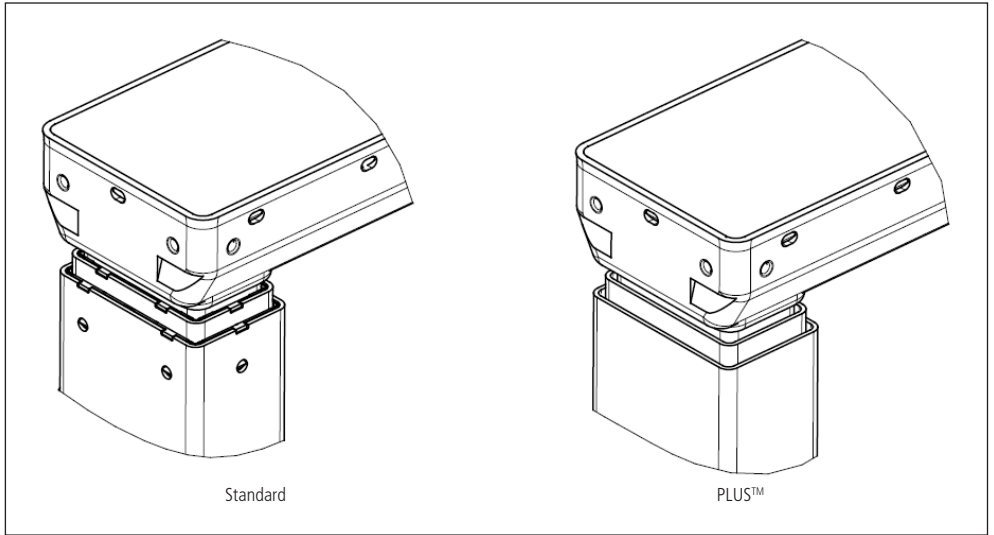
Socket

IC Master

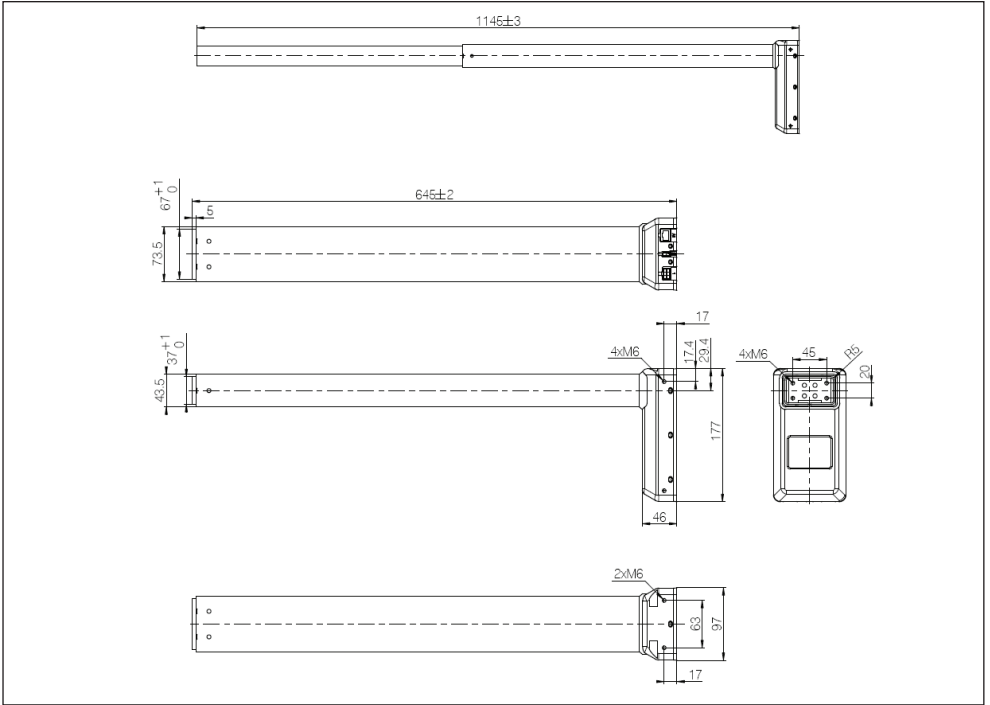
IC Follower

Combination code	Type
DL6xxxxxMxxxxxx	IC Master
DL6xxxxxSxxxxxx	IC Follower

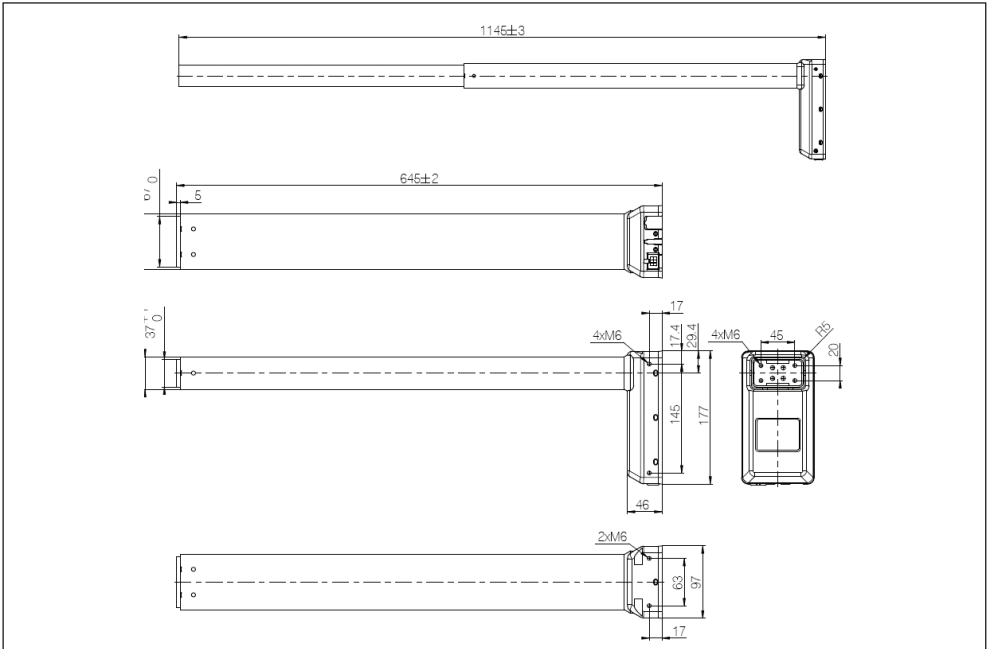
Socket combination



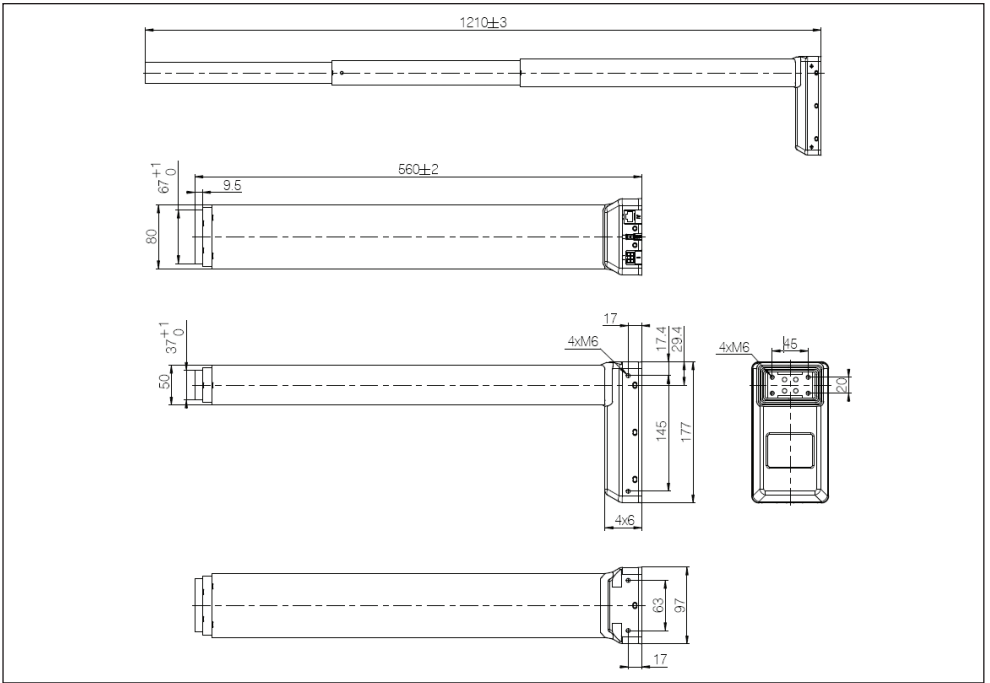
DL15 IC M (Master)



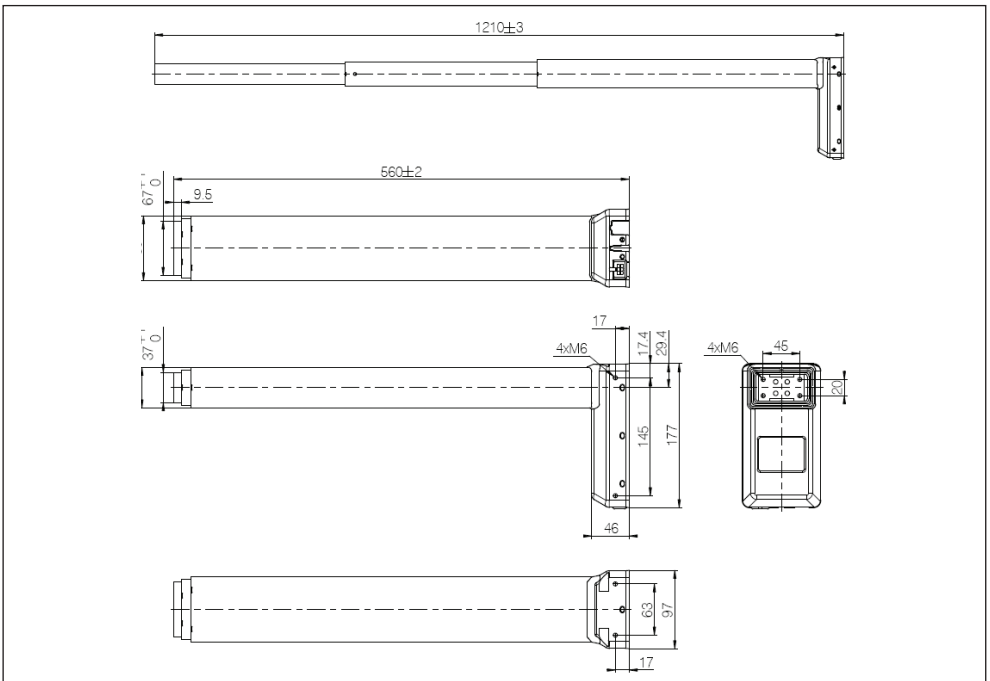
DL15 IC S (Follower)



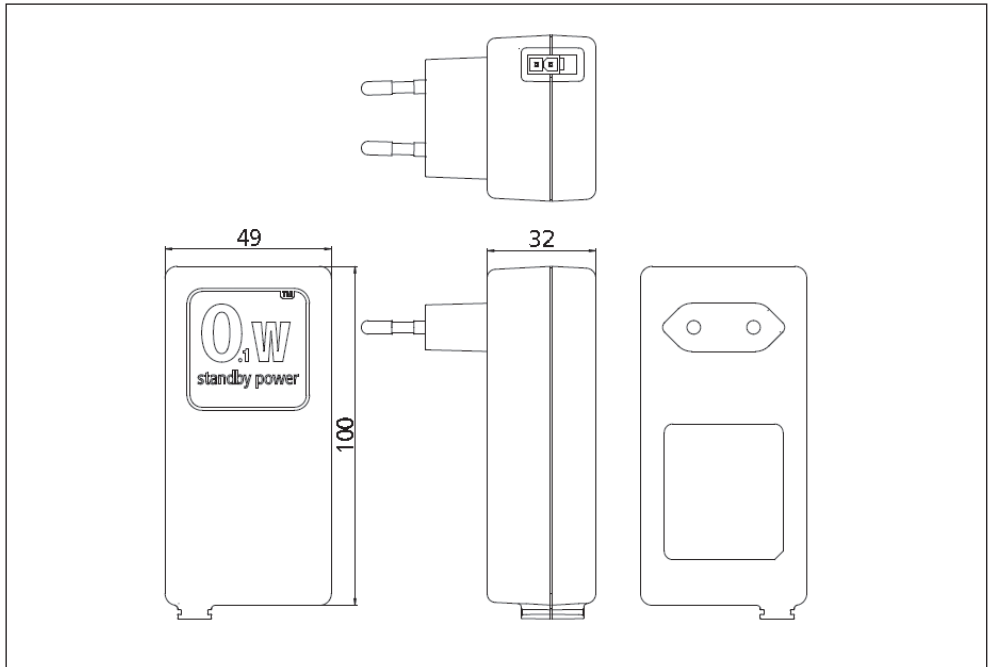
DL16 IC M (Master)



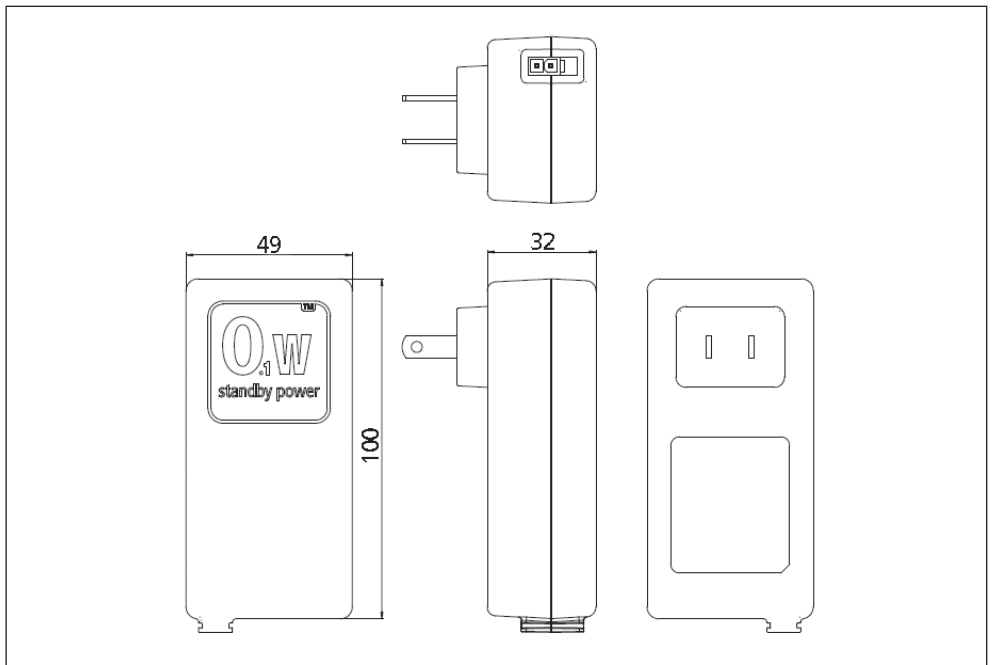
DL16 IC S (Follower)

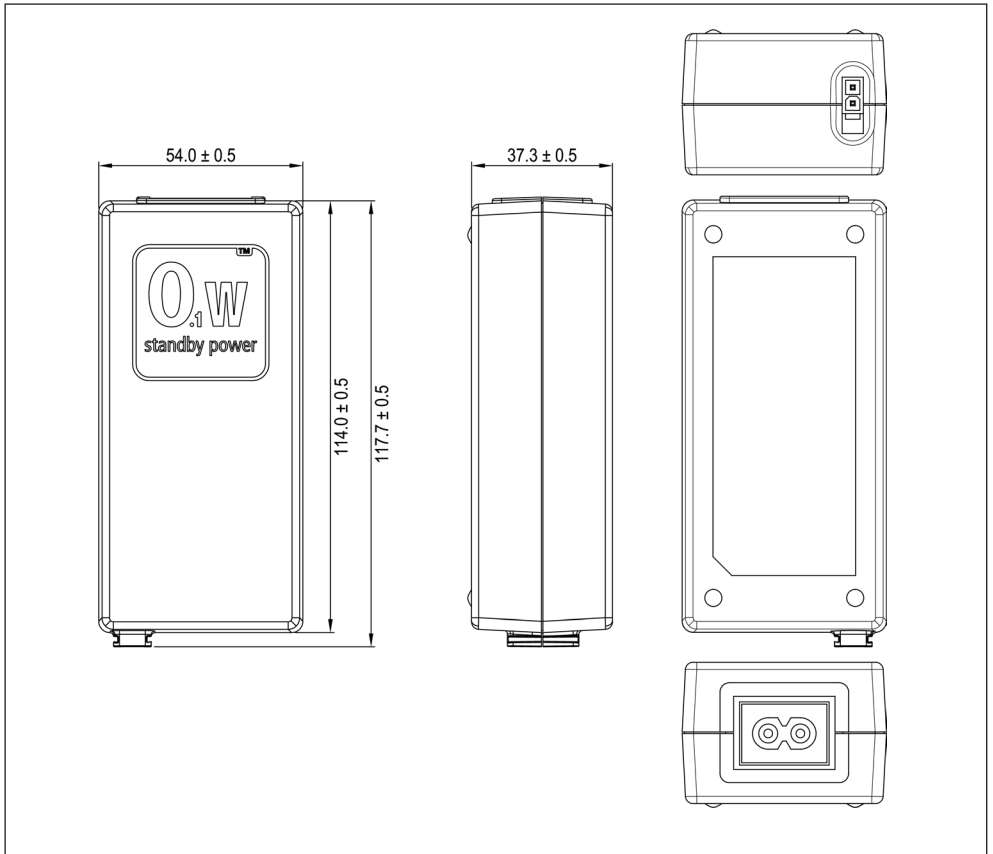


SMPS001



SMPS002





LINAK APPLICATION POLICY

The purpose of the application policy is to define areas of responsibilities in relation to applying a LINAK product defined as hardware, software, technical advice, etc. related to an existing or new customer application.

LINAK products, as defined above, are applicable for a wide range of applications within the Medical, Furniture, Desk and Industry areas. Yet, LINAK cannot know all the conditions under which LINAK products will be installed, used, and operated, as each individual application is unique.

The suitability and functionality of the LINAK product and its performance under varying conditions (application, vibration, load, humidity, temperature, frequency, etc.) can only be verified by testing, and shall ultimately be the responsibility of the LINAK customer using any LINAK product.

LINAK shall be responsible solely that the LINAK products comply with the specifications set out by LINAK and it shall be the responsibility of the LINAK customer to ensure that the specific LINAK product can be used for the application in question.

FACTORIES

• Denmark

LINAK A/S
Group Headquarters
Tel: +45 73 15 15 15
Fax: +45 74 45 80 48
Fax (Sales): +45 73 15 16 13
www.linak.com

• Denmark

LINAK Profiles
Tel: +45 73 70 95 30
www.linak-profiles.com

• China

LINAK (Shenzhen) Actuator Systems, Ltd.
Tel: +86 755 8610 6656
Fax: +86 755 8610 6990
www.linak.cn

• Slovakia

LINAK Slovakia s.r.o.
Tel: +421 51 7563 444
Fax: +421 517563 410
www.linak.sk

• Thailand

LINAK APAC Ltd.
Tel: +66 33 265 400
www.linak.com

• USA

LINAK U.S. Inc.
Americas Headquarters
Tel: +1 502 253 5595
Fax: +1 502 253 5596
www.linak-us.com

SUBSIDIARIES

• Australia

LINAK Australia Pty. Ltd
Tel: +61 3 8796 9777
Fax: +61 3 8796 9778
www.linak.com.au

• Austria

LINAK Repräsentanz
Österreich (Wien)
Tel: +43 (1) 890 7446
Fax: +43 (1) 890 744615
www.linak.at - www.linak.hu

• Belgium

LINAK Benelux
(Belgium & Luxembourg)
Tel: +32 (0)9 230 01 09
www.linak.be - www.fr.linak.be

• Brazil

LINAK Do Brasil Comércio De Atuadores Ltda.
Tel: +55 (11) 2832 7070
Fax: +55 (11) 2832 7060
www.linak.com.br

• Canada

LINAK Canada Inc.
Tel: +1 502 253 5595
Fax: +1 416 255 7720
www.linak-us.com

• China

LINAK (Shenzhen) Actuator Systems, Ltd.
Tel: +86 755 8610 6656
Fax: +86 755 8610 6990
www.linak.cn

• Czech Republic

LINAK C&S s.r.o.
Tel: +42 058 174 1814
Fax: +42 058 170 2452
www.linak.cz - www.linak.sk

• Denmark - Headquarters

LINAK A/S - Group Headquarters
Tel: +45 73 15 15 15
Fax: +45 74 45 80 48
Fax (Sales): +45 73 15 16 13
www.linak.com

• Denmark - International

LINAK International
Tel: +45 73 15 15 15
www.linak.com

• Denmark - Sales

LINAK DANMARK A/S
Tel: +45 86 80 36 11
Fax: +45 86 82 90 51
www.linak.dk

• Finland

LINAK OY
Tel: +358 10 841 8700
www.linak.fi

• France

LINAK FRANCE E.U.R.L
Tel: +33 (0) 2 41 36 34 34
Fax: +33 (0) 2 41 36 35 00
www.linak.fr

• Germany

LINAK GmbH
Tel: +49 6043 9655 0
Fax: +49 6043 9655 60
www.linak.de

• India

LINAK A/S India Liaison Office
Tel: +91 120 4531797
Fax: +91 120 4786428
www.linak.in

• Ireland

LINAK UK Limited (Ireland)
Tel: +44 (0)121 544 2211
Fax: +44 (0)121 544 2552
+44 (0)796 855 1606 (UK Mobile)
+35 387 634 6554 (Republic of Ireland Mobile)
www.linak.co.uk

• Italy

LINAK ITALIA S.r.l.
Tel: +39 02 48 46 33 66
Fax: +39 02 48 46 82 52
www.linak.it

• Japan

LINAK K.K.
Tel: 81-45-533-0802
Fax: 81-45-533-0803
www.linak.jp

• Malaysia

LINAK Actuators Sdn. Bhd.
Tel: +60 4 210 6500
Fax: +60 4 226 8901
www.linak.my

• Netherlands

LINAK Benelux
Tel: +31 76 5 42 44 40
www.linak.nl

• New Zealand

LINAK New Zealand Ltd
Tel: +64 9580 2071
Fax: +64 9580 2072
www.linak.com.au

• Norway

LINAK Norge AS
Tel: +47 32 82 90 90
www.linak.no

• Poland

LINAK Polska
LINAK Danmark A/S (Spółka Akcyjna)
Tel: +48 22 295 09 70/22 295 09 71
www.linak.pl

• Republic of Korea

LINAK Korea Ltd.
Tel: +82 2 6231 1515
Fax: +82 2 6231 1516
www.linak.kr

• Slovakia

LINAK Slovakia s.r.o.
Tel: +421 51 7563 444
www.linak.sk

• Spain

LINAK Actuadores, S.L.u
Tel: +34 93 588 27 77
Fax: +34 93 588 27 85
www.linak.es

• Sweden

LINAK Scandinavia AB
Tel: +46 8 732 20 00
Fax: +46 8 732 20 50
www.linak.se

• Switzerland

LINAK AG
Tel: +41 43 388 31 88
Fax: +41 43 388 31 87
www.linak.ch - www.fr.linak.ch
www.it.linak.ch

• Taiwan

LINAK (Shenzhen) Actuator systems Ltd.
Taiwan Representative office
Tel: +886 2 27290068
Fax: +886 2 27290096
www.linak.tw

• Thailand

LINAK APAC Ltd.
Tel: +66 33 265 400

• Turkey

LINAK İth. İhr. San. ve Tic. A.Ş.
Tel: +90 312 4726338
Fax: +90 312 4726635
www.linak.com.tr

• United Kingdom

LINAK UK Limited
Tel: +44 (0)121 544 2211
Fax: +44 (0)121 544 2552
www.linak.co.uk

• USA

LINAK U.S. Inc.
North and South American Headquarters
Tel: +1 502 253 5595
Fax: +1 502 253 5596
www.linak-us.com
www.linak-latinamerica.com

DISTRIBUTORS

• Argentina

NOVOTEC ARGENTINA SRL
Tel: 011-4303-8989/8900
Fax: 011-4032-0184
www.novotecargentina.com

• Colombia

MEM Ltda
Tel: +57 (1) 334-7666
Fax: +57 (1) 282-1684
www.mem.net.co

• India

Mechatronics Control Equipment India Pvt Ltd
Tel: +91-44-28558484, 85
www.mechatronicscontrol.com

• Indonesia

PT. HIMALAYA EVEREST JAYA
Tel: +6 221 544 8956/221 544 8965
Fax: +6 221 619 1925
Fax (Sales): +6 221 619 4658
www.hej.co.id

• Iraq

Scan Medical Tech
Tel: +964 770 470 2202

• Israel

NetivTech LTD
Tel: +972 55-2266-535
Fax: +972 2-9900-560
www.netivtech.com

• Kingdom of Bahrain

Mechatronics Industrial Equipments
Tel: +973 17280059
Fax: +973 17910045
www.mechatronicsbh.com

• Qatar

Mechatronics Industrial Equipments
Tel: +974 44581155
Fax: +974 44689135
www.mechatronicsqatar.com

• Singapore

Servo Dynamics Pte Ltd
Tel: +65 6844 0288
Fax (Sales): +65 6844 0070

• South Africa

Industrial Specialised Applications CC
Tel: +27 011 466 0346
www.isaza.co.za

• United Arab Emirates

Mechatronics Industrial Equipments LLC
Tel: +971 4 267 4311
Fax: +971 4 267 4312
www.mechatronics.ae

LINAK® accepts no responsibility for possible errors or inaccuracies in catalogues, brochures, and other material. LINAK reserves the right to change its products without prior notice. LINAK cannot guarantee product availability and reserves the right to discontinue the sale of any product. The user is responsible for determining the suitability of LINAK products for a specific application. All sales are subject to the 'Standard Terms of Sale and Delivery', available on LINAK websites. LINAK and the LINAK logotype are registered trademarks of LINAK A/S. All rights reserved.

LINAK® 

WE IMPROVE YOUR LIFE