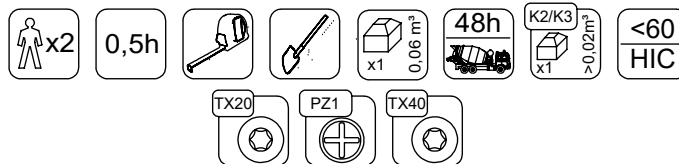
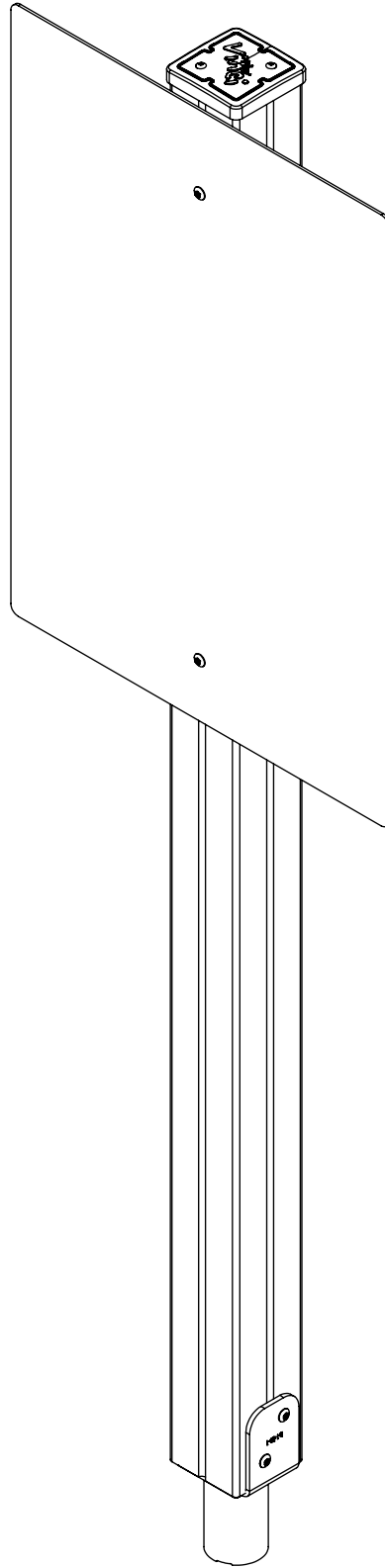
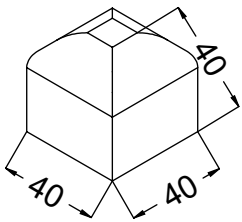
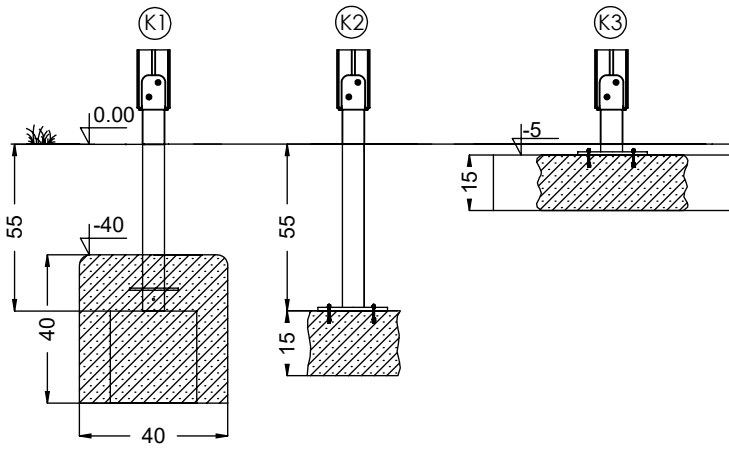
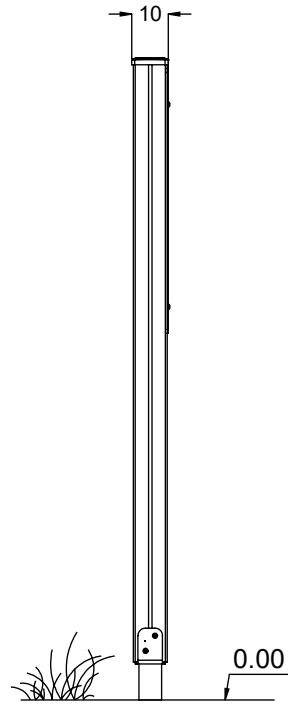
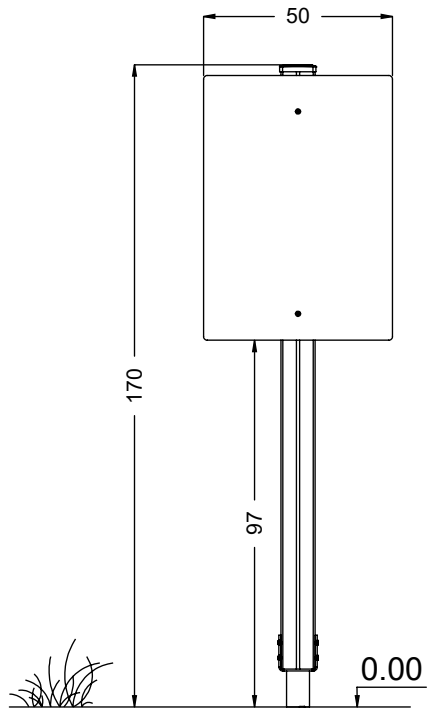



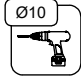

# WD1483

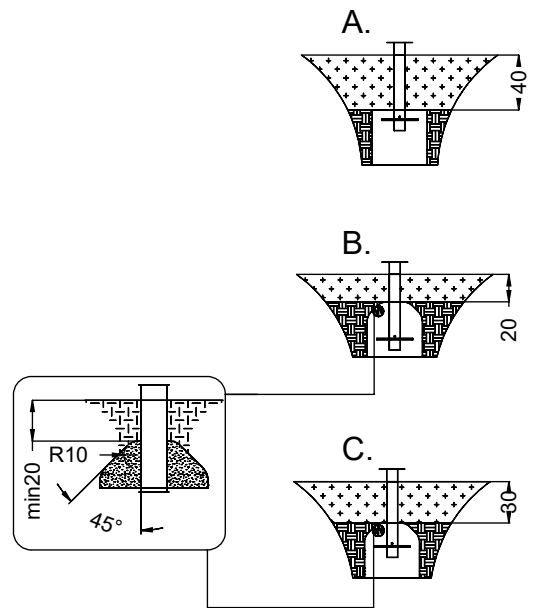


v011  
11.01.2022  
A. D.  
[cm]

vinci  
play



	<b>K2, K3</b>
<b>M10x120</b> x4	 Ø10
<b>NOT INCLUDED</b>	



[cm]



0,5h



0,06 m<sup>3</sup>

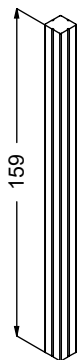


48h

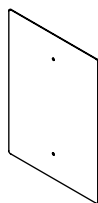


K2/K3  
x1  
>0,02m<sup>3</sup>

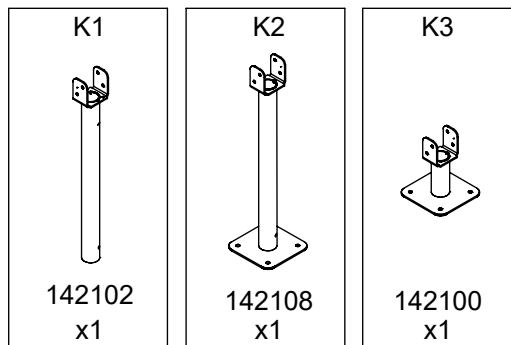
vinci  
play



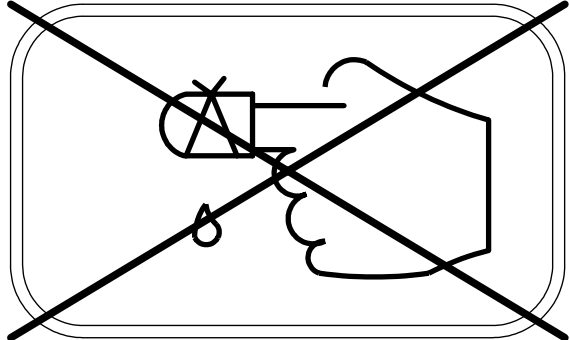
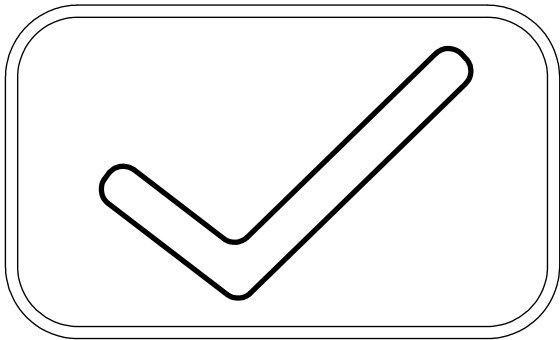
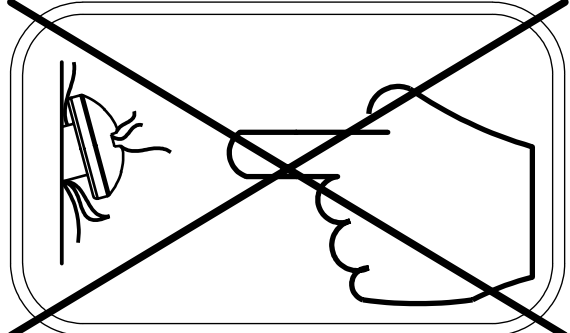
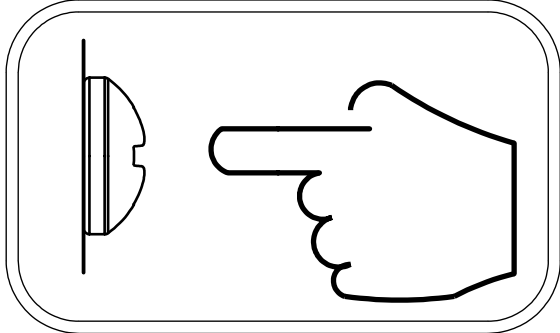
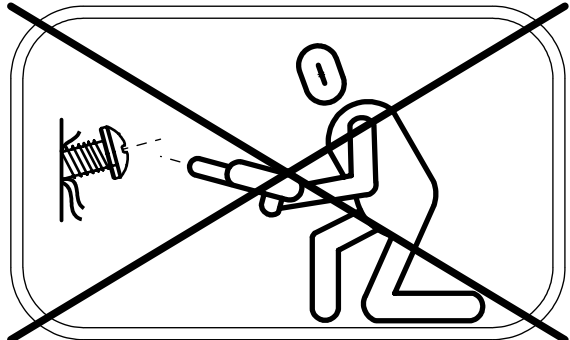
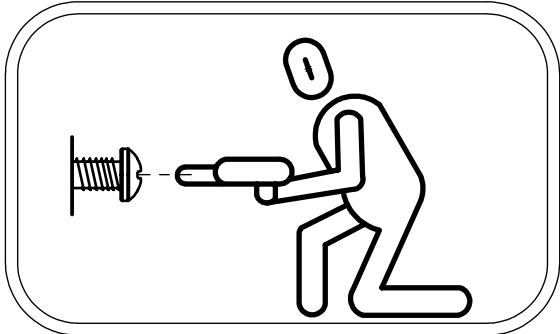
14715990  
x1

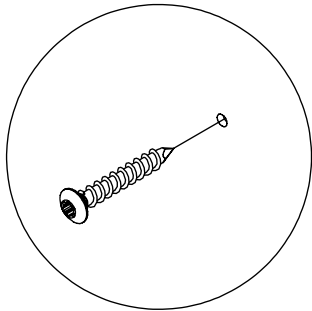


148100  
x1

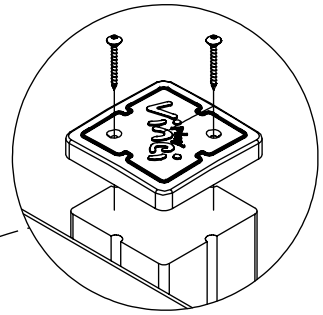


1x	WD1
6x	8x50 sxi
1x	V002

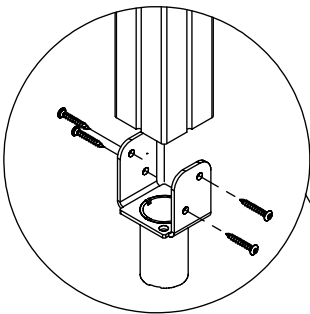
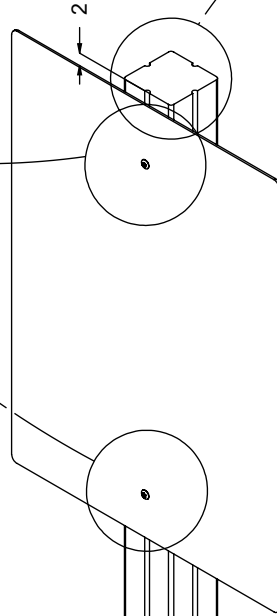




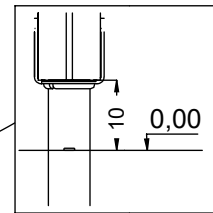
8x50 sxi



WD1



8x50 sxi



vinci  
play

[cm]

