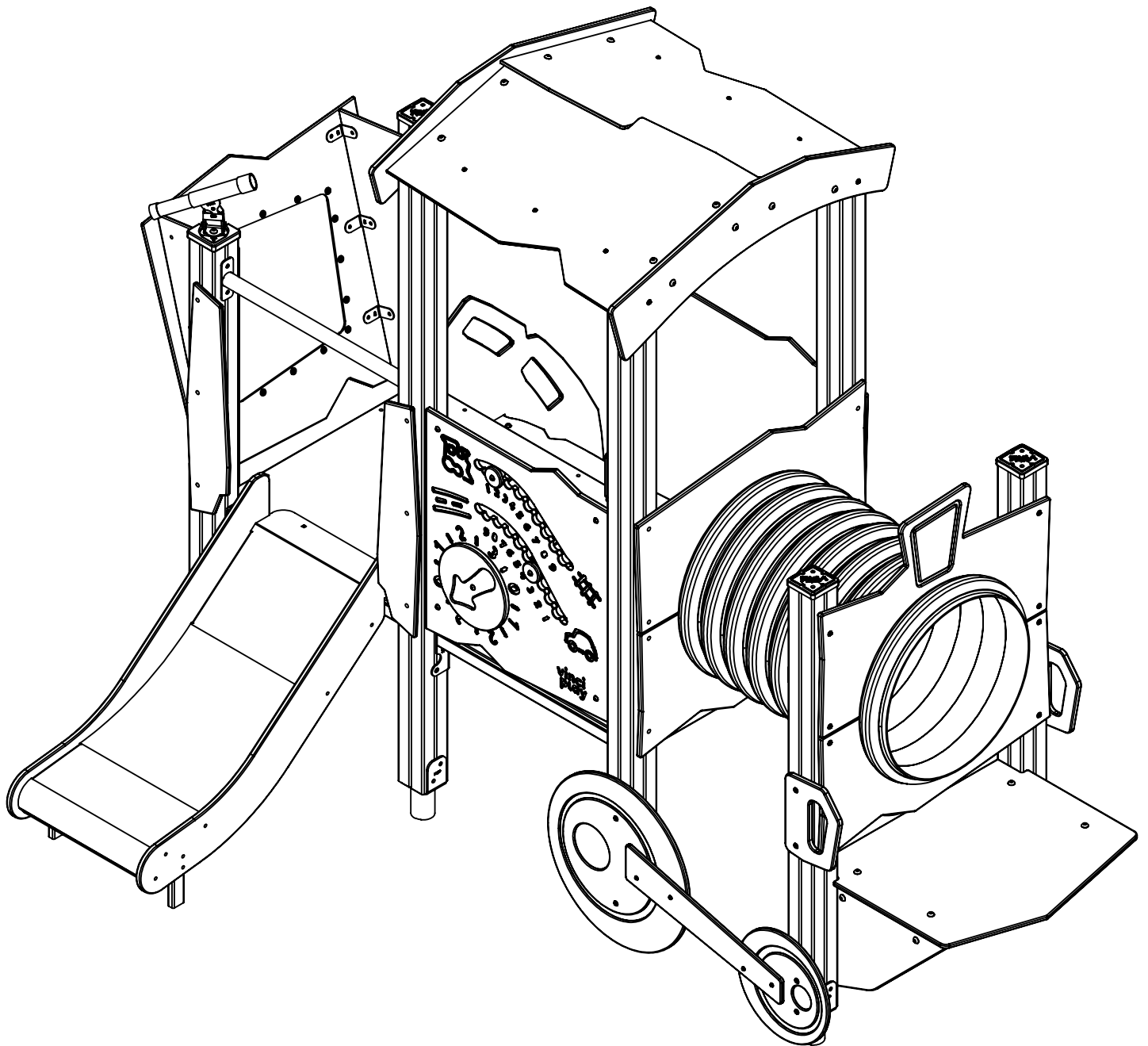
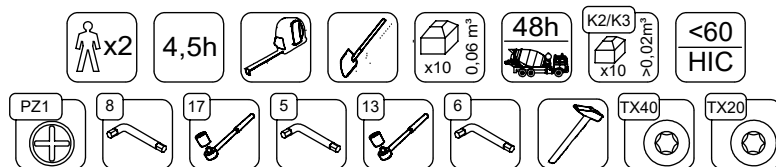


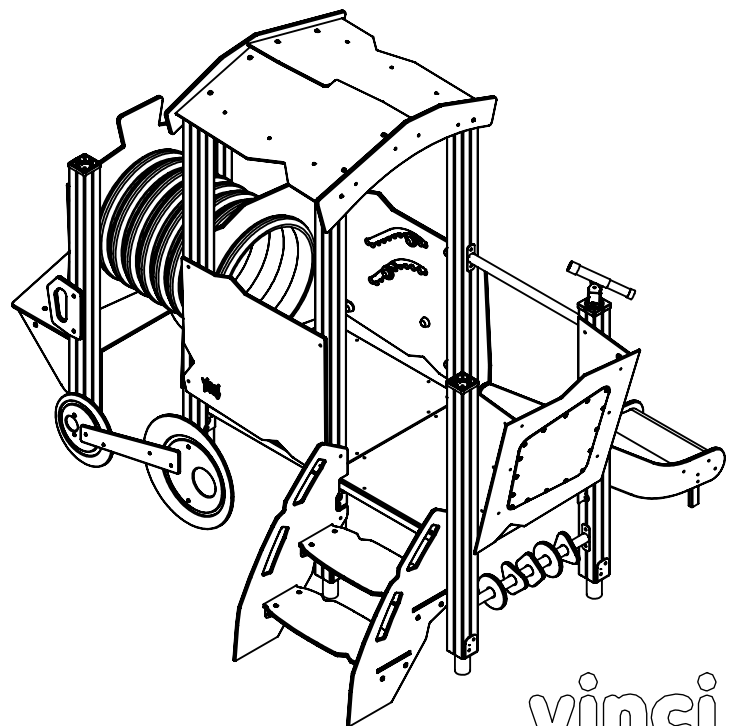
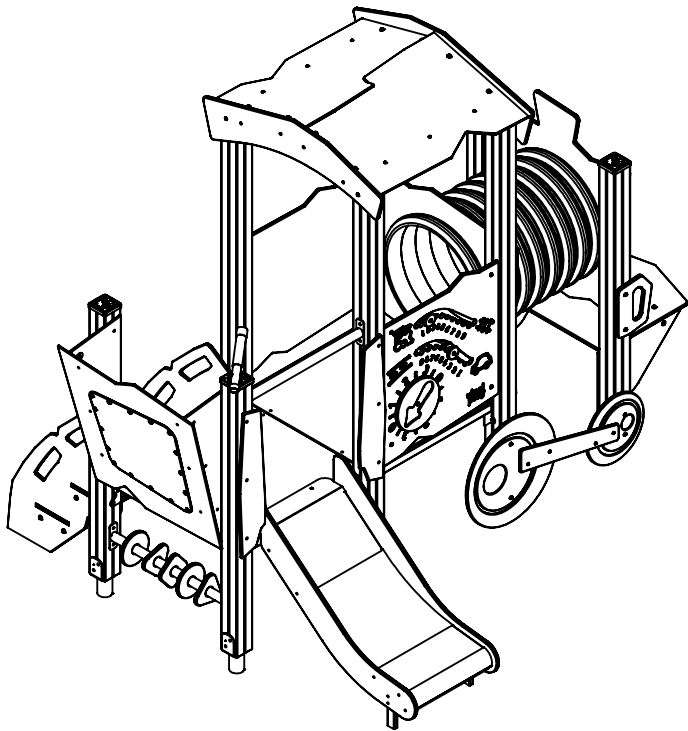
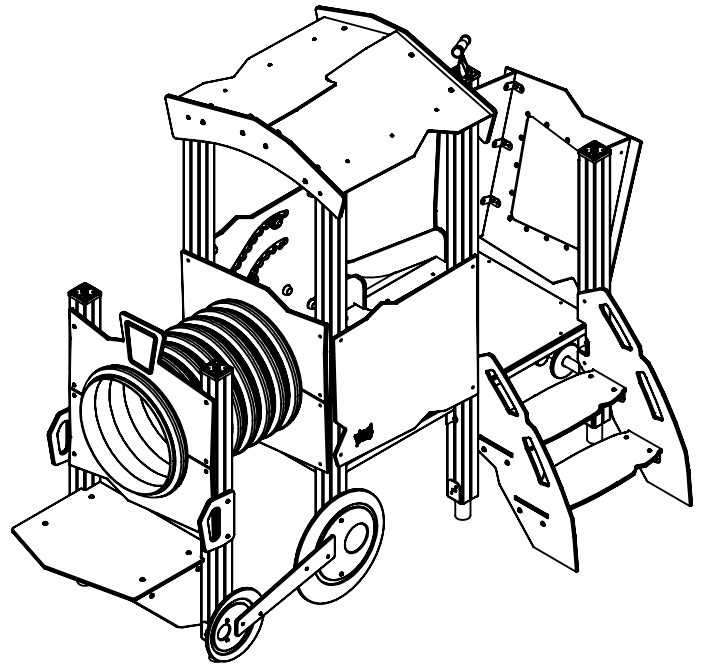
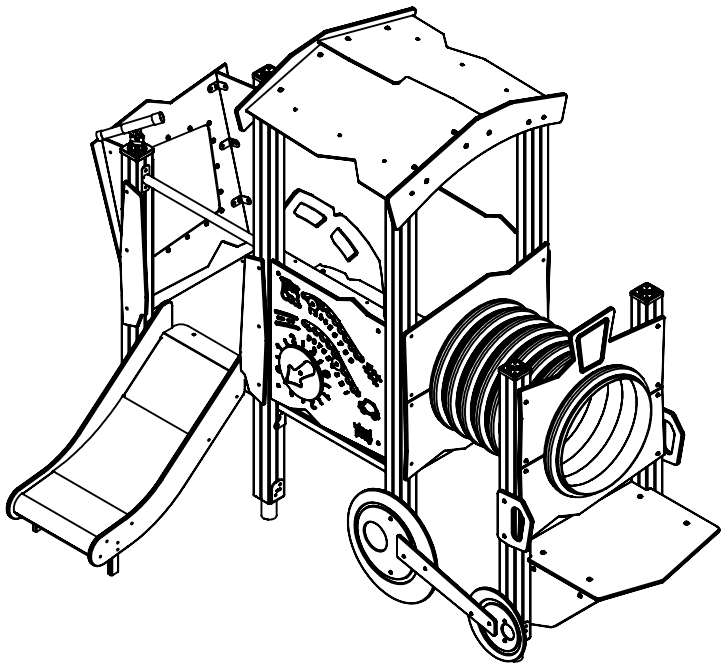
WD1551



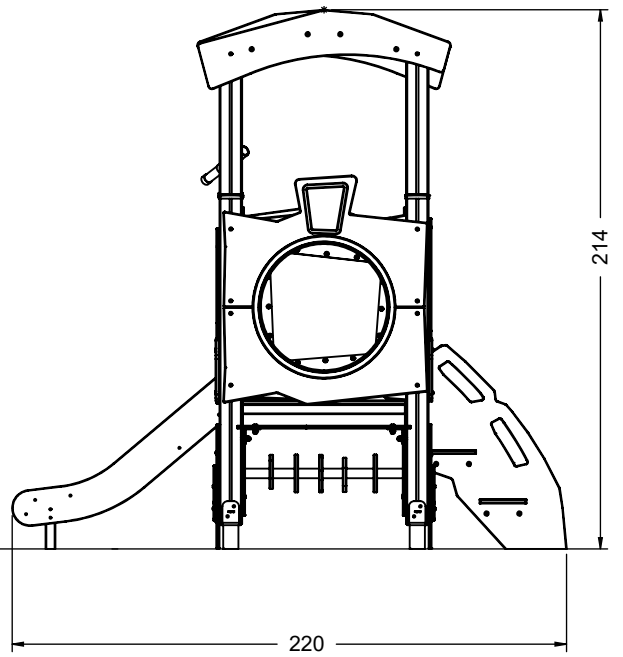
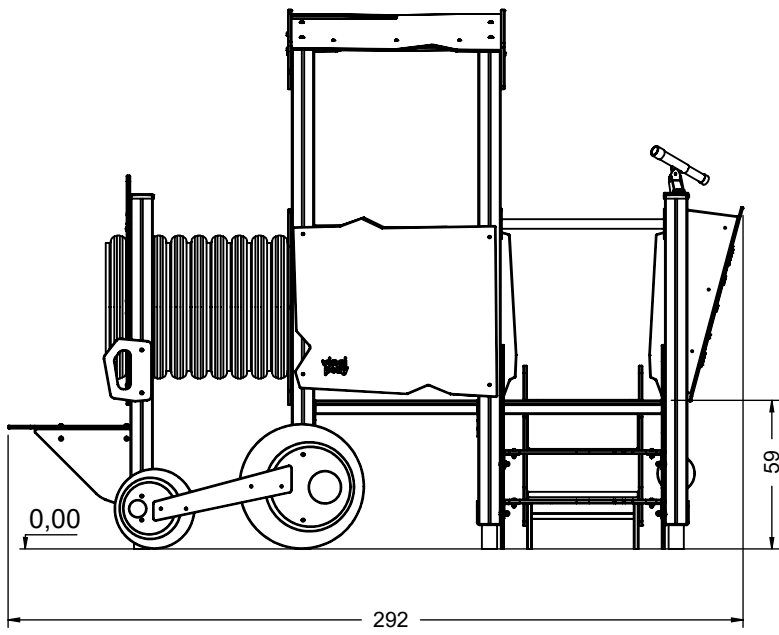
v013
13.05.2022
D. P.
[cm]



vinci
play



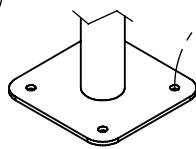
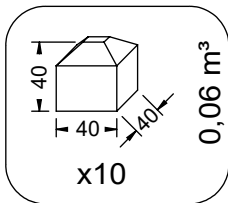
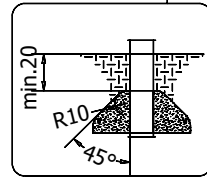
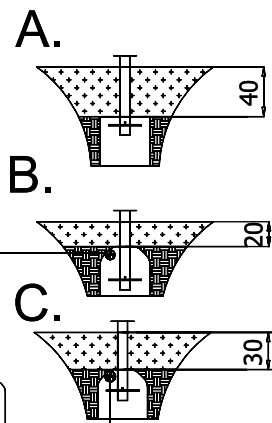
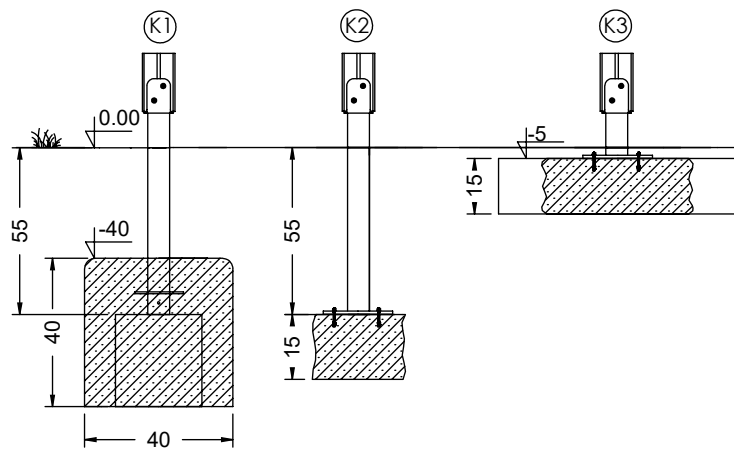
vinci
play



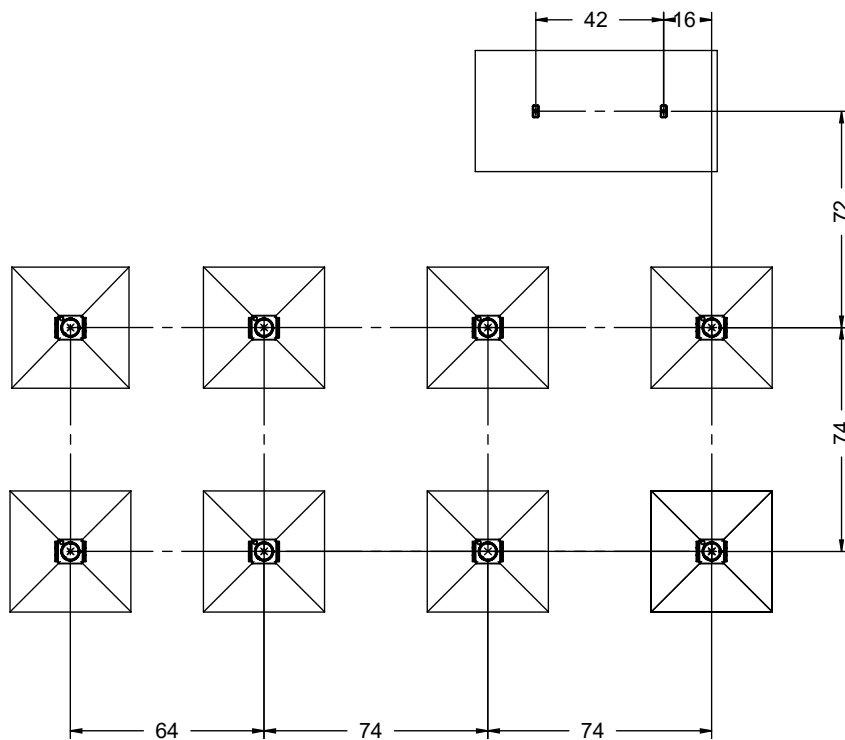
[cm]



vinci
play



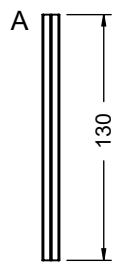
32x M10x120 (K2)	2x M8x120 (K2)
34x M10x120 (K3)	
NOT INCLUDED	NOT INCLUDED



[cm]

	4,5h			48h		0,06 m³		0,02 m³
--	------	--	--	-----	--	---------	--	---------

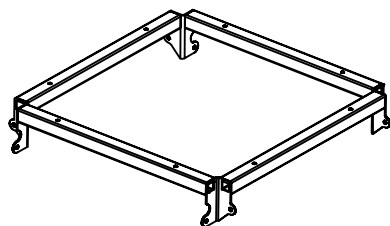
vinci
play



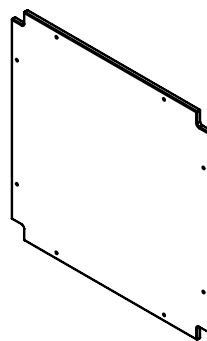
14713090
x4



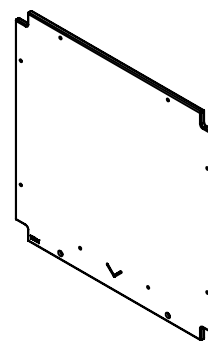
14718990
x4



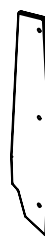
142109
x2



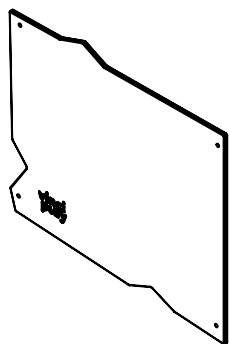
141100
x1



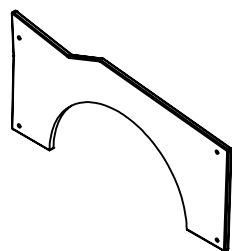
141101
x1



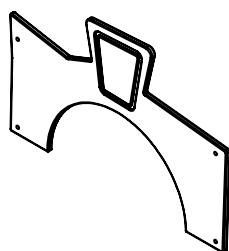
141133
x2



141125
x1



141140
x3



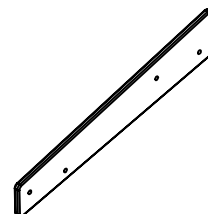
141304
x1



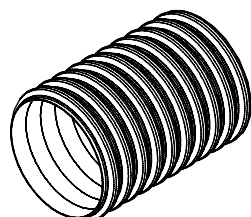
141311
x2



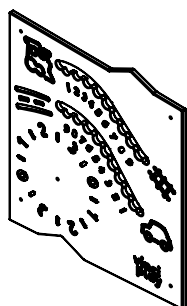
141310
x2



141312
x2



996132
x1



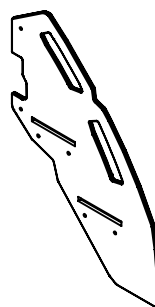
141303
x1



141319
x2



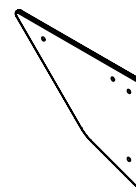
141307
x2



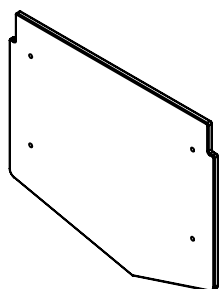
141188
x2



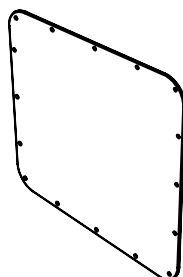
141189
x2



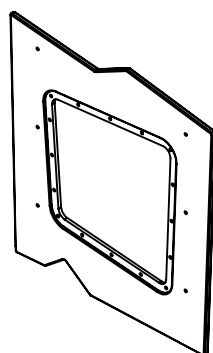
141309
x2



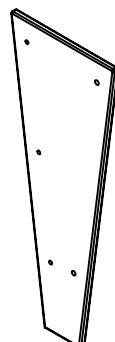
141308
x1



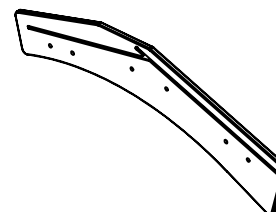
141306
x1



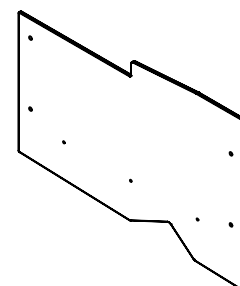
141305
x1



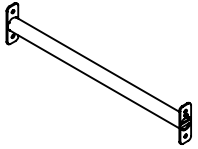
141137
x2



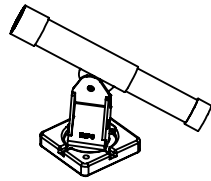
141313
x2



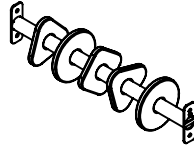
141314
x2



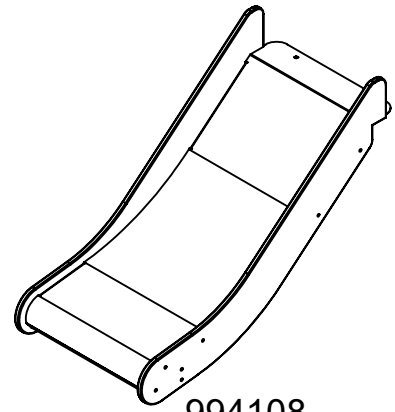
142117
x1



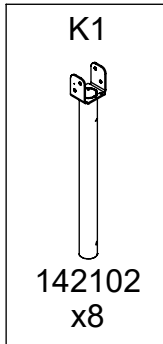
144247
x1



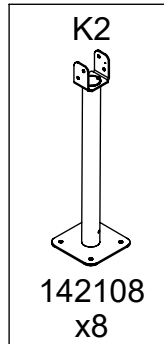
144126
x1



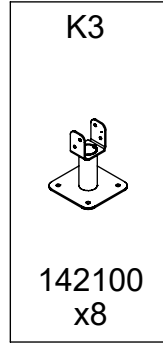
994108
x1



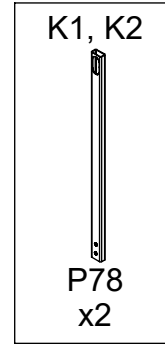
K1
142102
x8



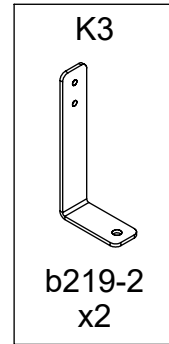
K2
142108
x8



K3
142100
x8



K1, K2
P78
x2



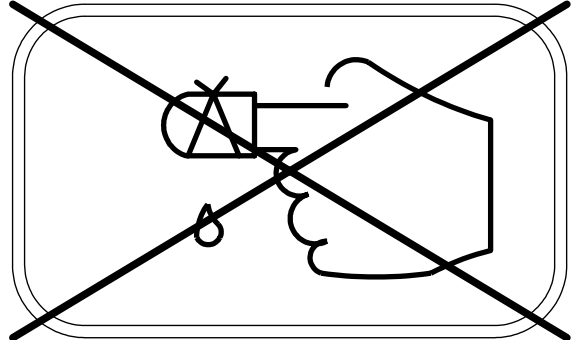
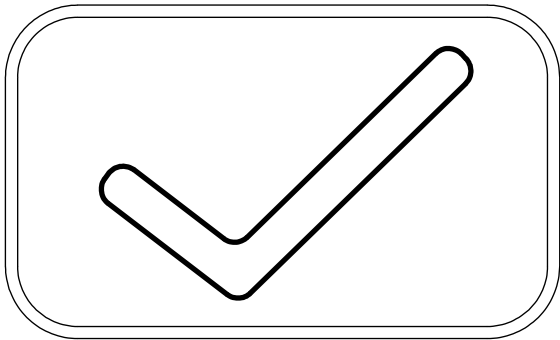
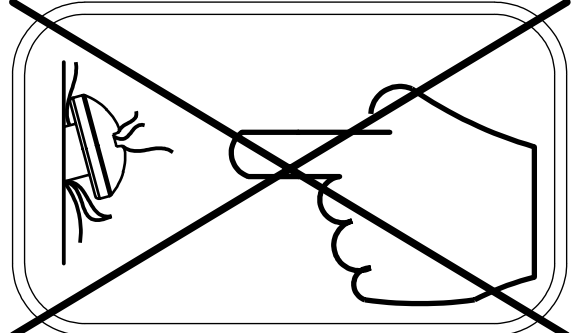
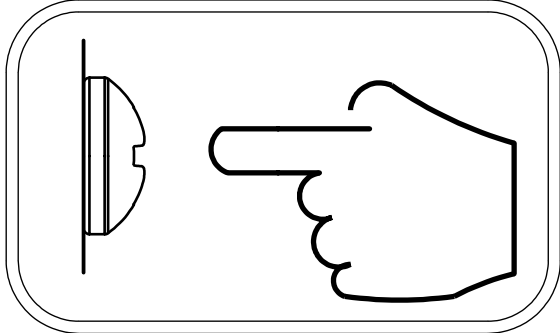
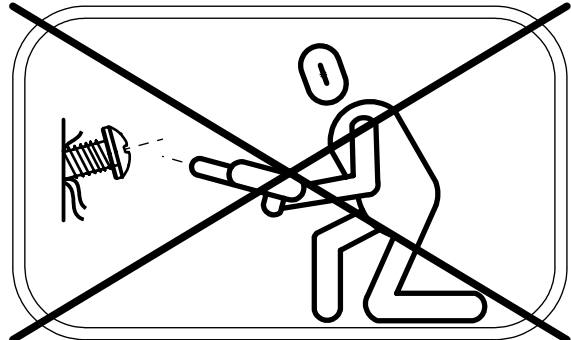
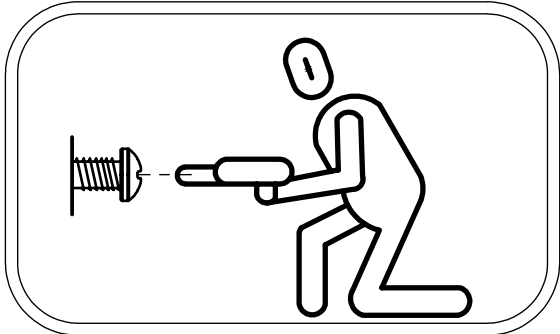
K3
b219-2
x2

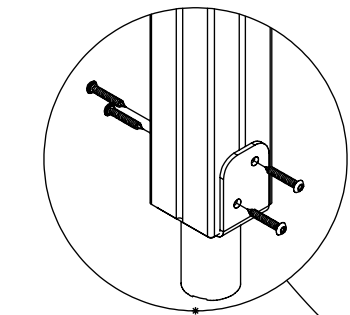
S6 141103 x1	S6 171233 x1	S6 994108 x1
------------------------	------------------------	------------------------

		<i>Plywood/ HDPE</i>		<i>HPL</i>	
114x	8x50 sxi	1x	WD74	1x	WD75
1x	E34 _(K1,K3)	1x	WD76	1x	WD77
1x	E35 _(K2)	1x	WE127	1x	WL127
3x	WD1	1x	WE128	1x	WL128
1x	V001	1x	WD25	1x	WD26
2x	6x80 sxt	1x	WE125	1x	WL125
4x	i128-1	2x	WE126	2x	WL126
		1x	CE83	1x	CL83
		1x	WS129	1x	WH129
		2x	WE130	2x	WL130
		1x	WD28 _(S1)	1x	WD29 _(S1)
		1x	WD113 _(S6)	1x	WD114 _(S6)
		1x	WD106	1x	WD107
		1x	WD108	1x	WD109
				2x	E130
				1x	P061 S6

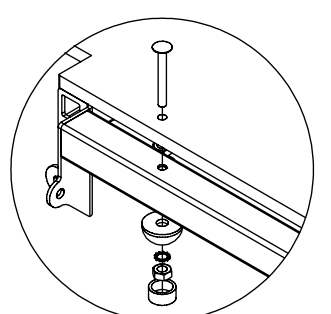
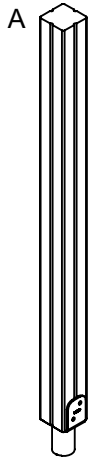
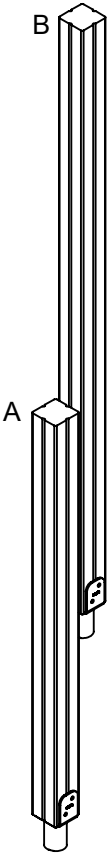
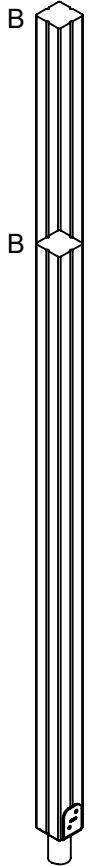
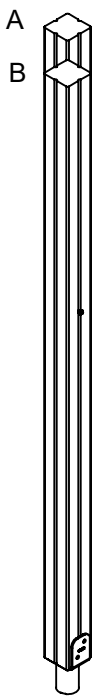
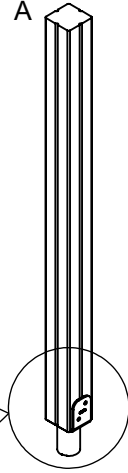
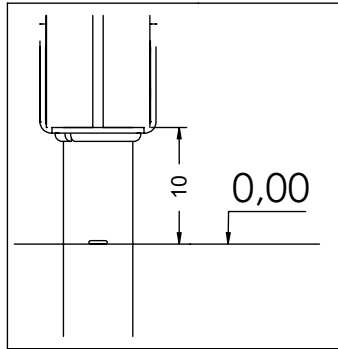
[cm]

vinci
play

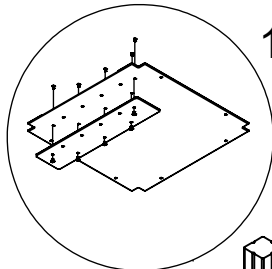




8x50 sxi

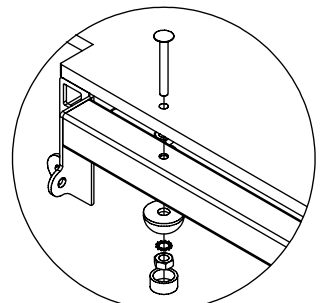
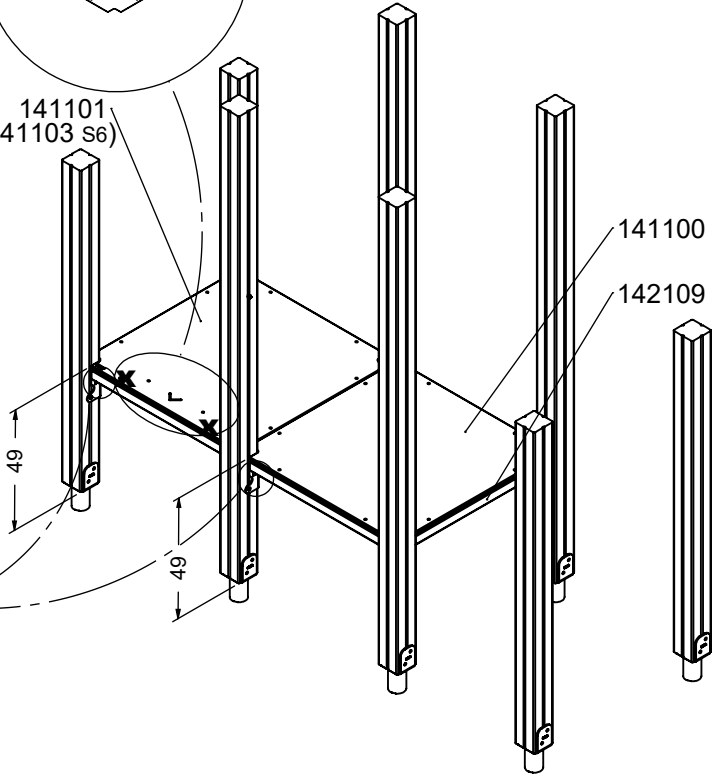


PLYWOOD WD74 HPL WD75

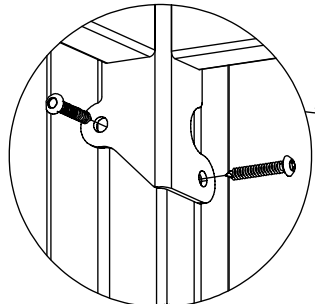
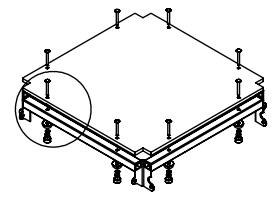


1x P061 S6

141101 (141103 S6)

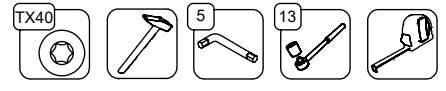


PLYWOOD WD76 HPL WD77



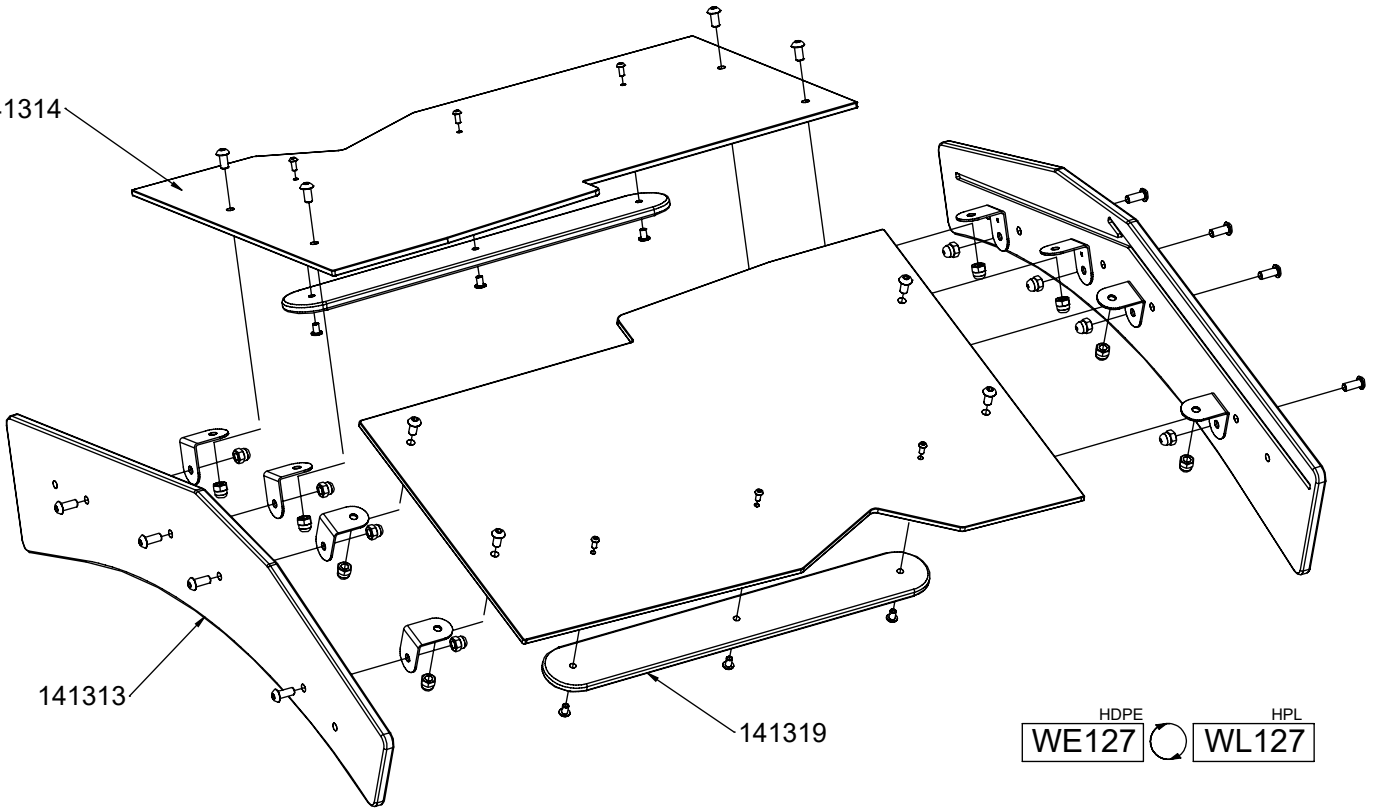
8x50 sxi

[cm]



vinci play

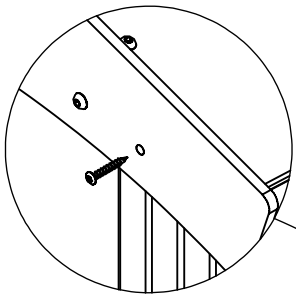
141314



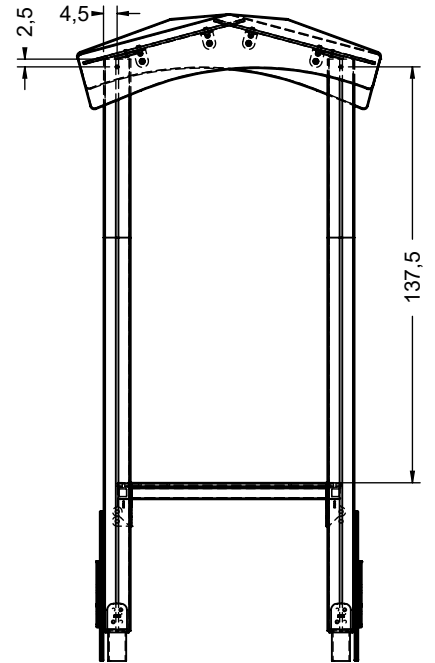
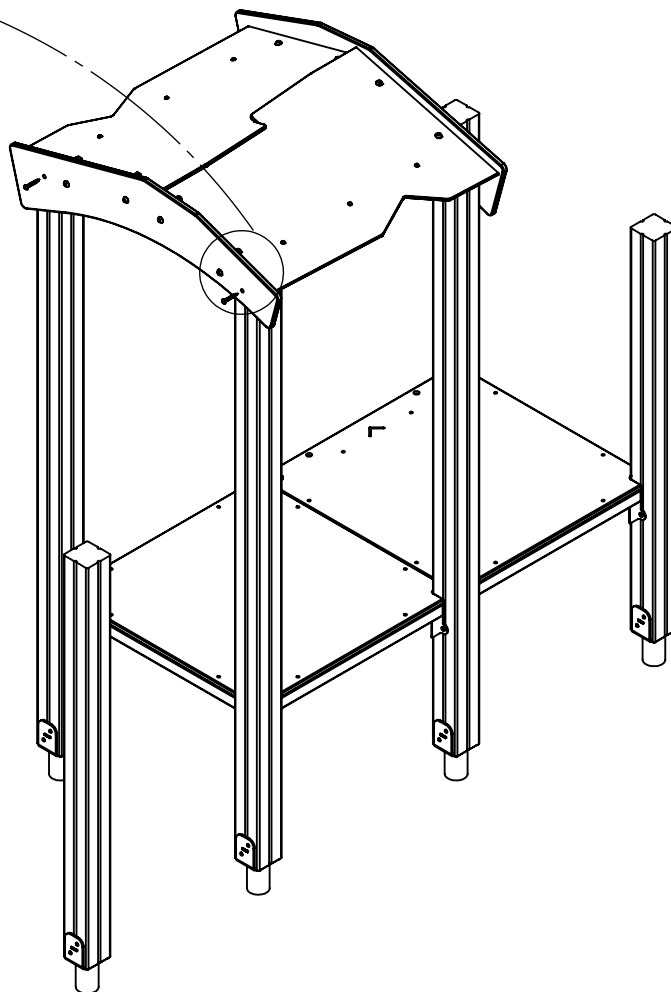
141313

141319

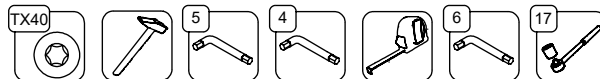
HDPE WE127  HPL WL127



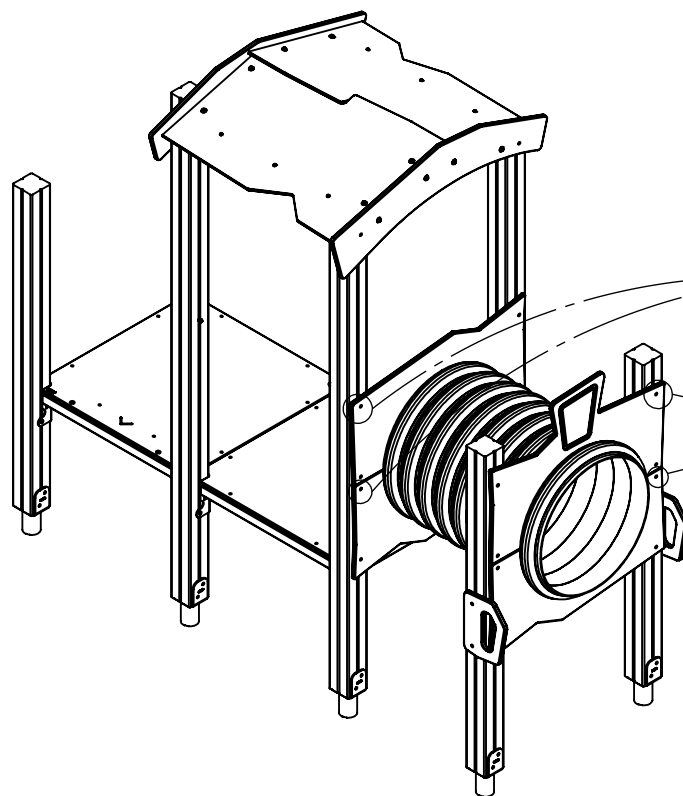
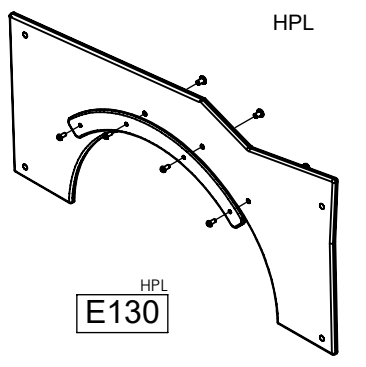
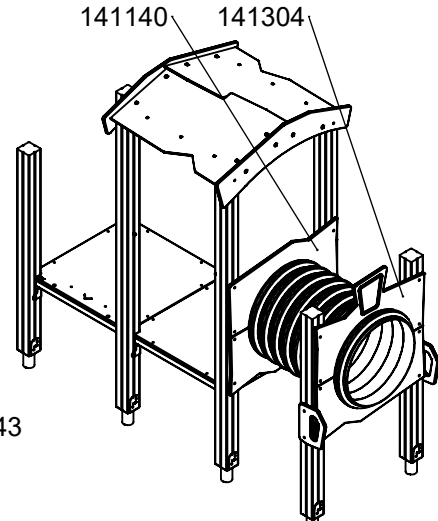
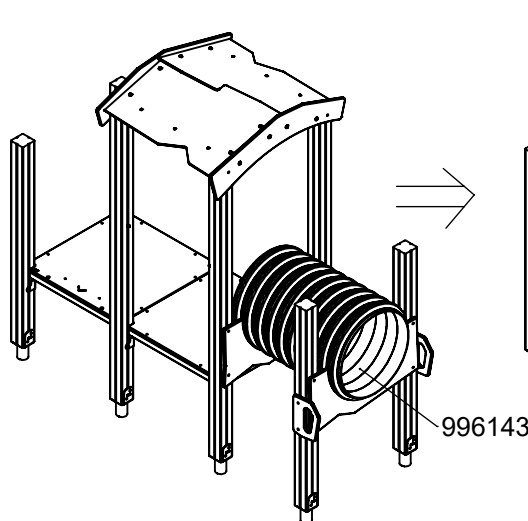
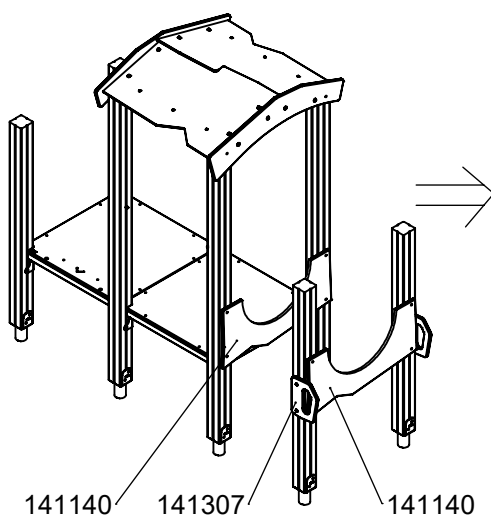
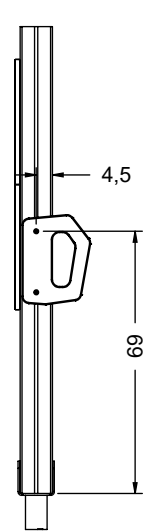
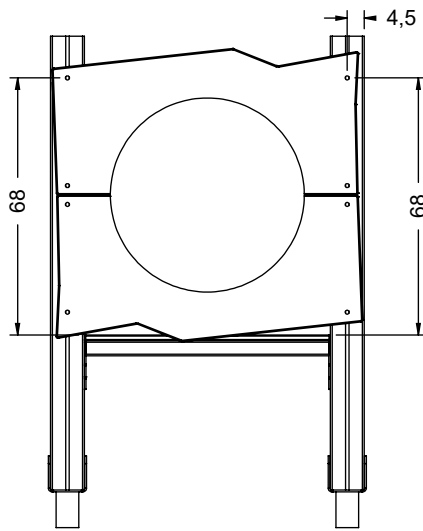
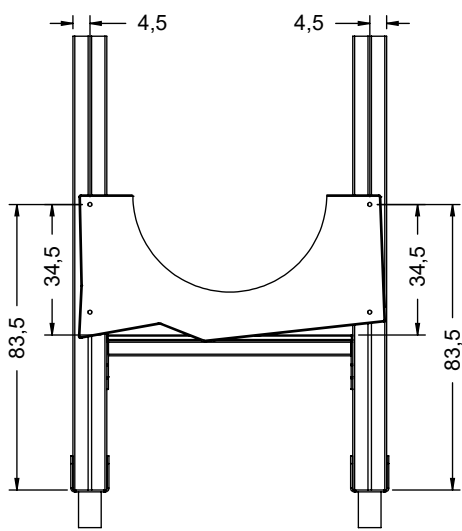
8x50 sxi



[cm]



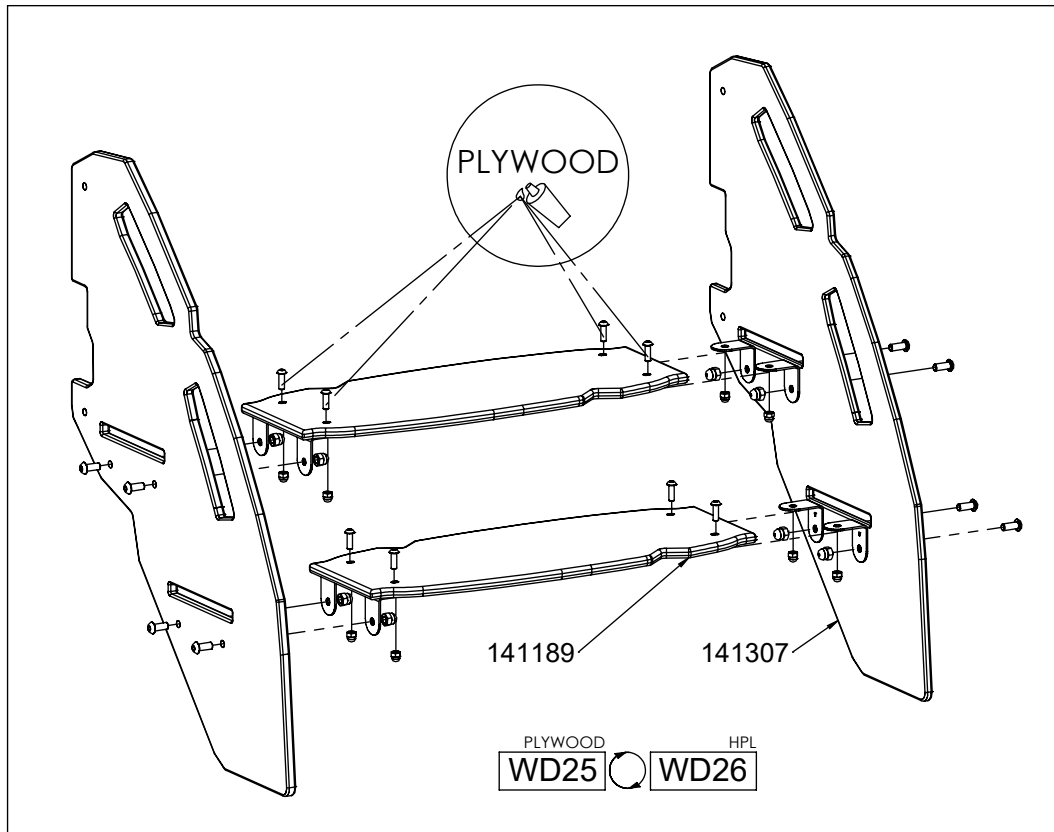
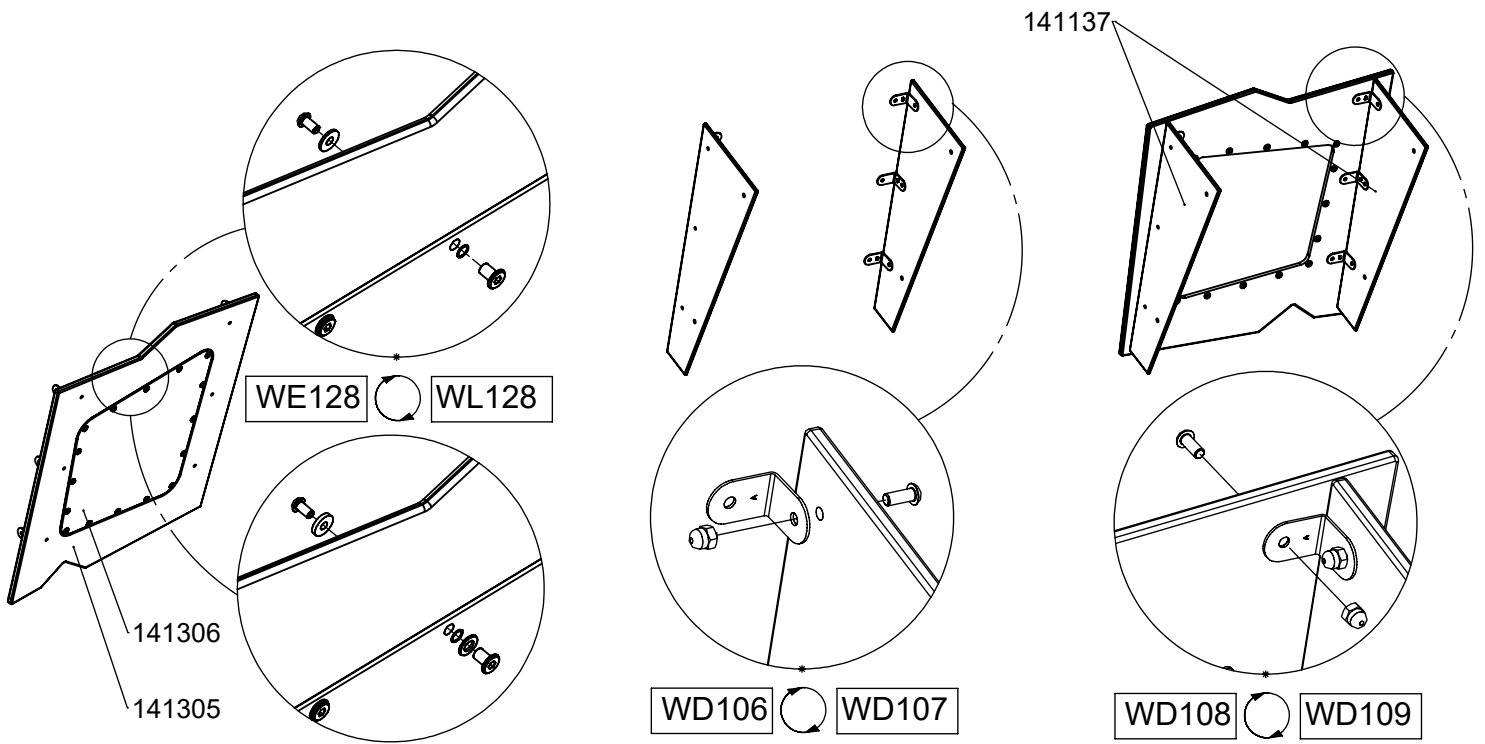
vinci
play



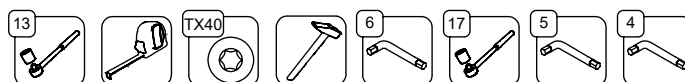
[cm]



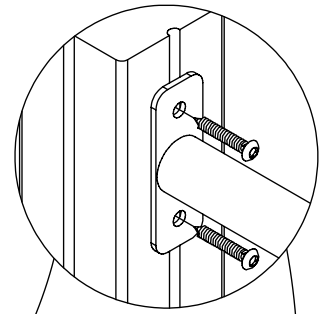
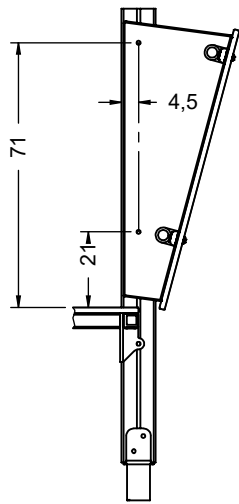
vinci
play



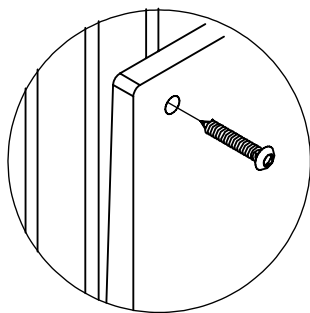
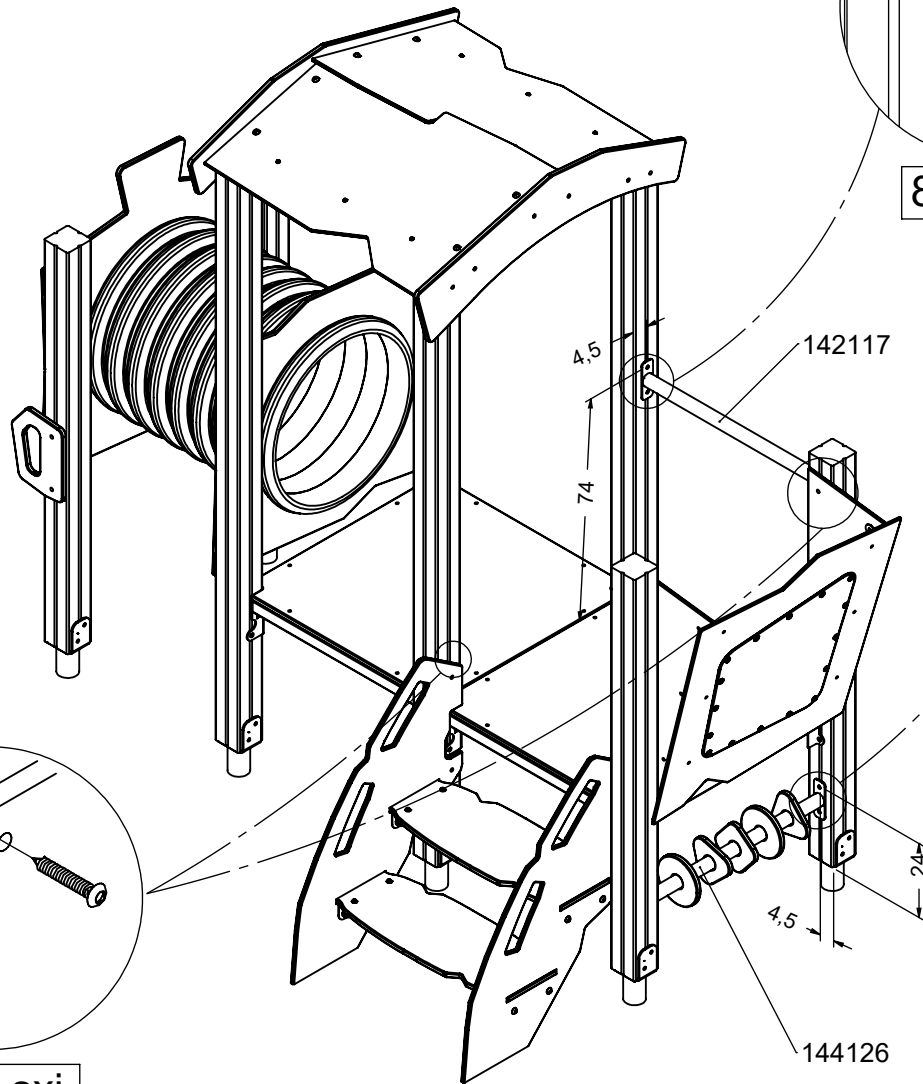
[cm]



vinci
play



8x50 sxi

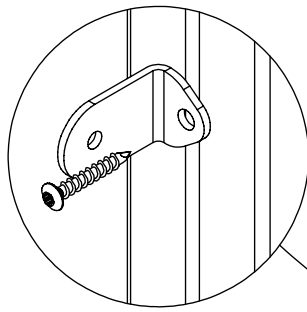


8x50 sxi

[cm]

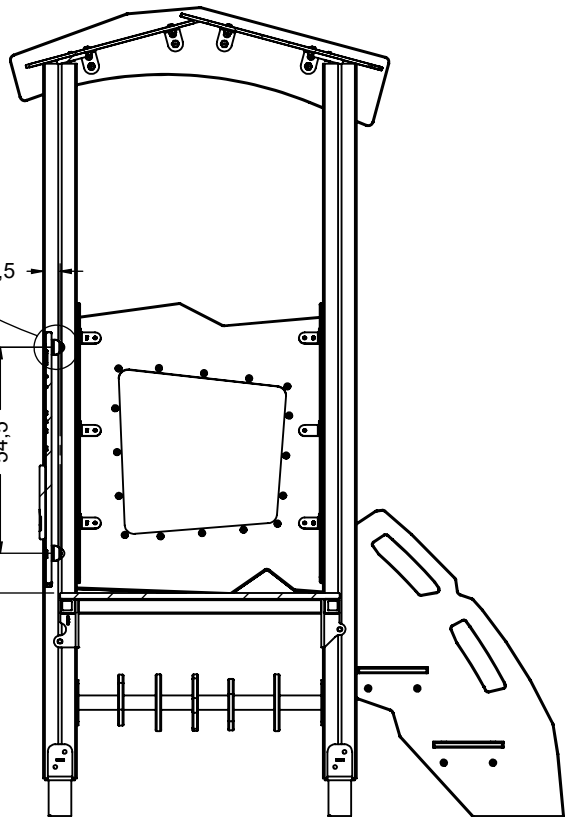
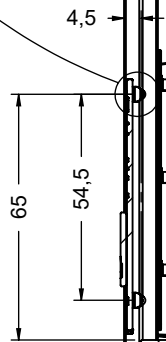


vinci
play

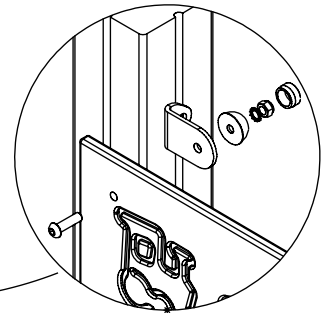
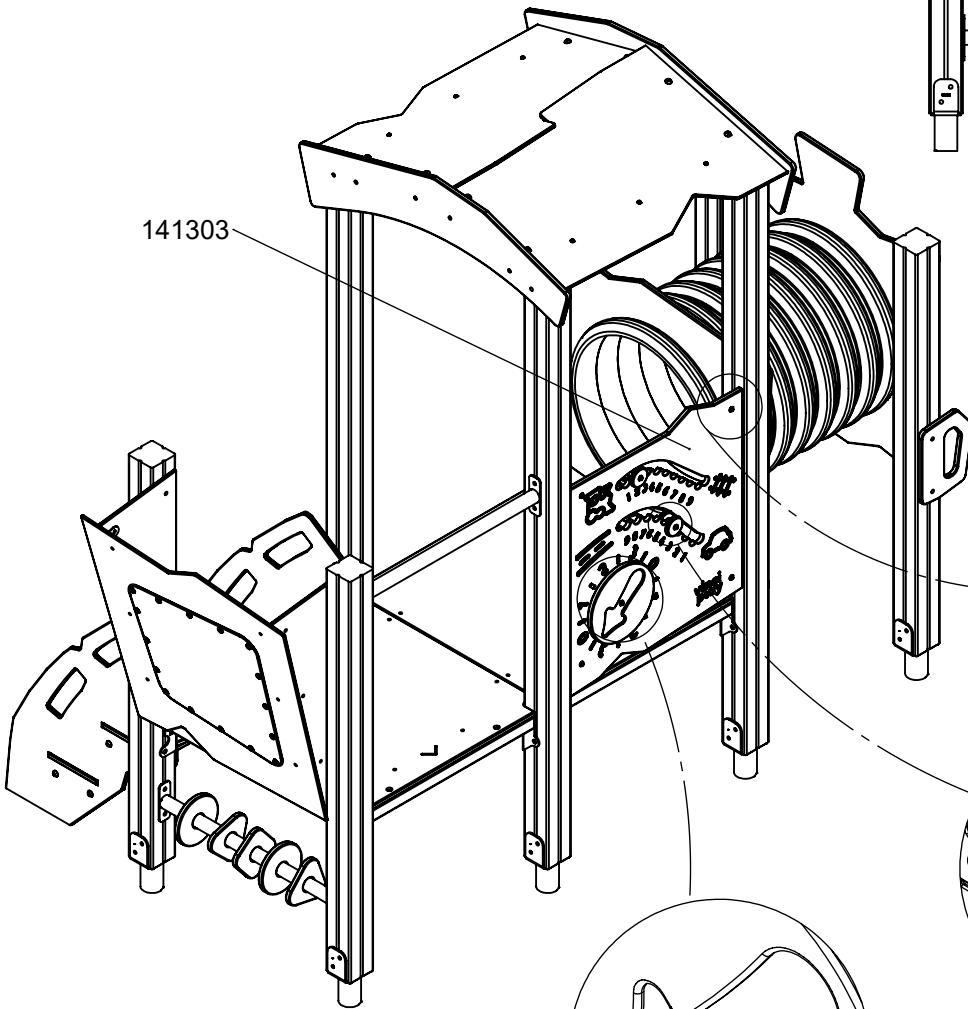


8x50 sxi

i128-1



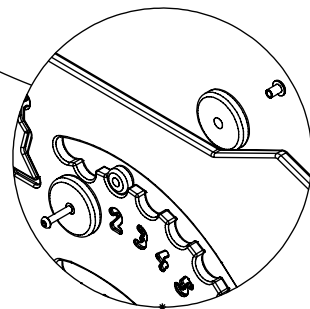
141303



WE125



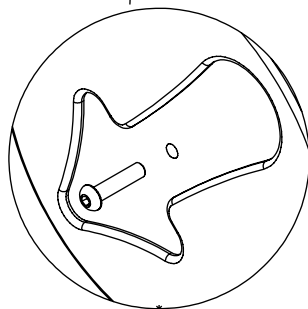
WL125



WE126



WL126



CE83

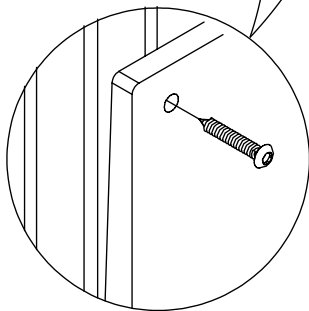
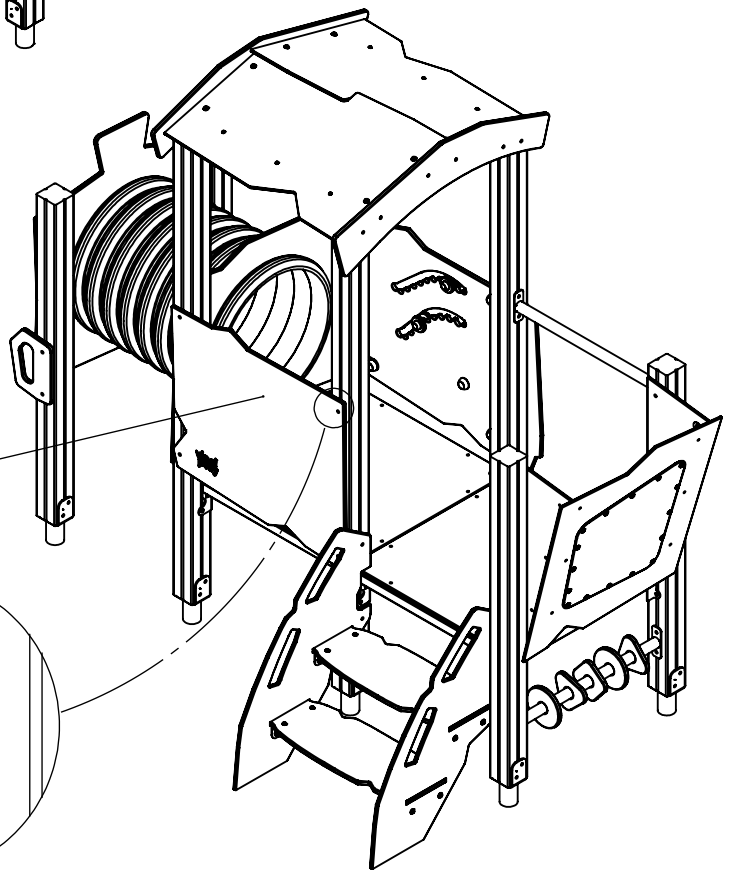
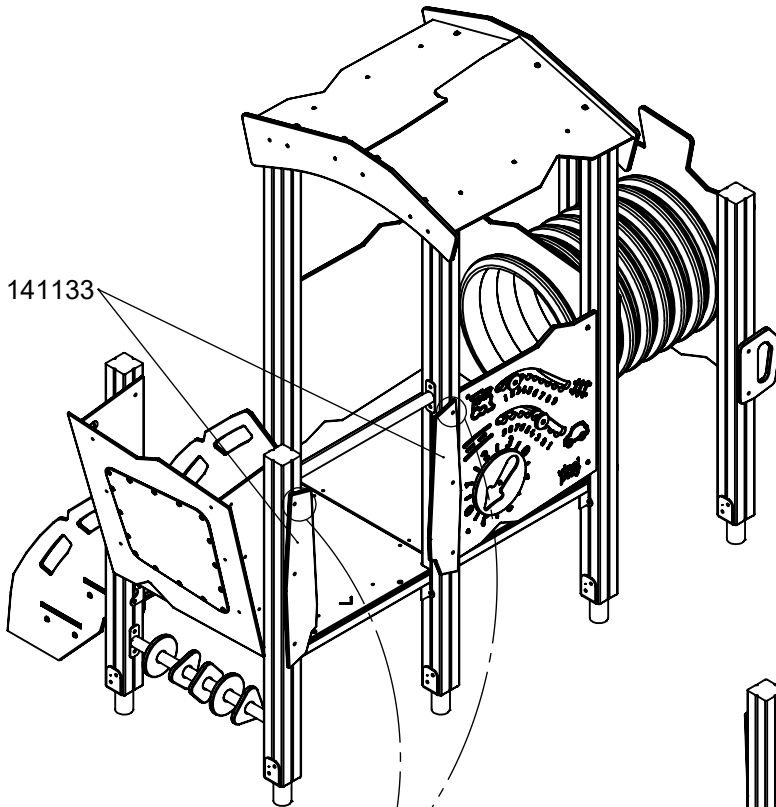
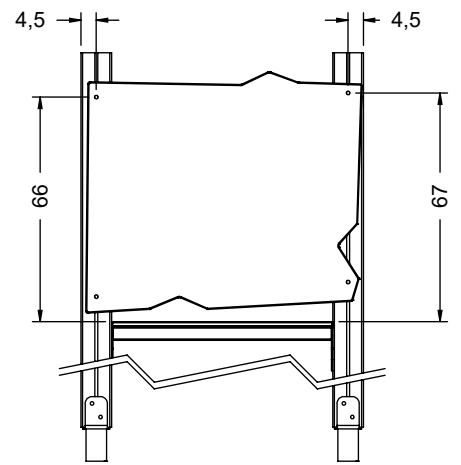
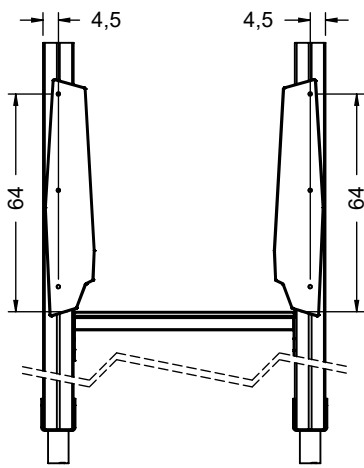


CL83

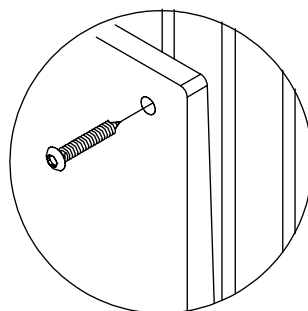
[cm]



vinci play



8x50 sxi

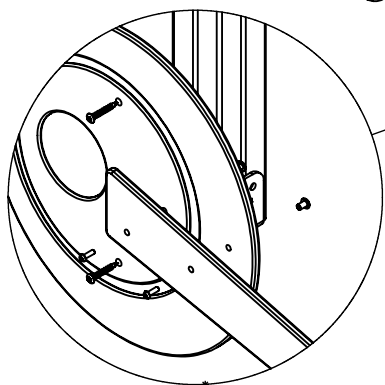
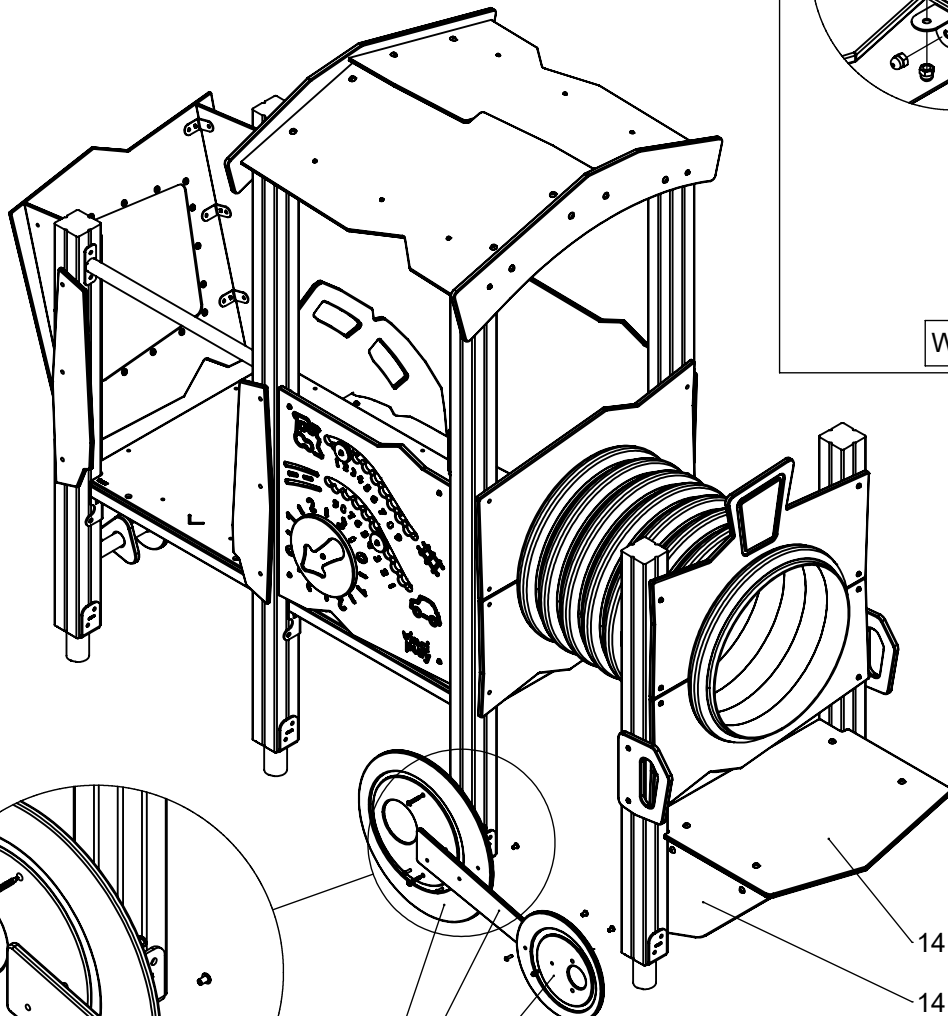
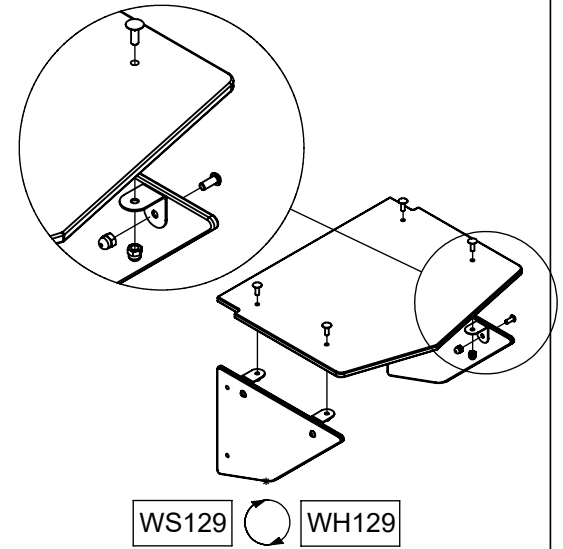
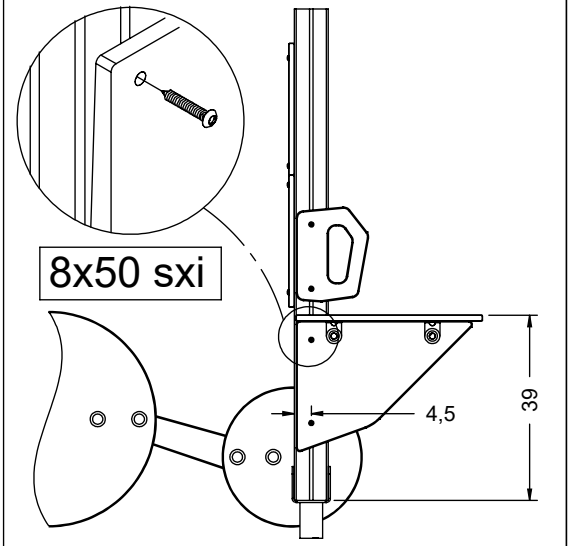
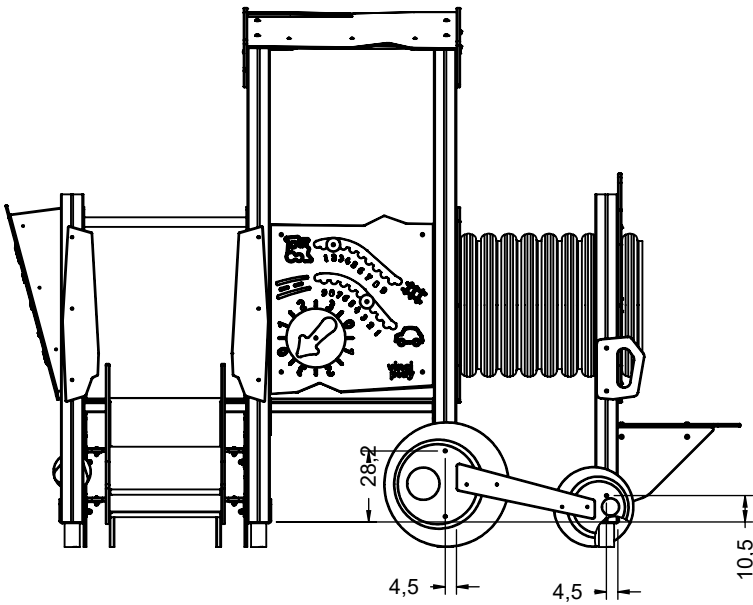


8x50 sxi



[cm]

vinci
play



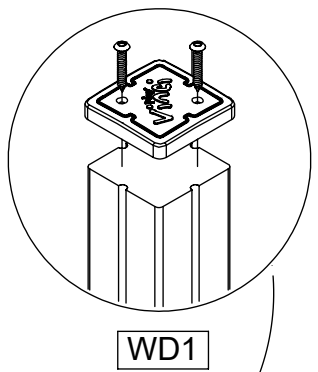
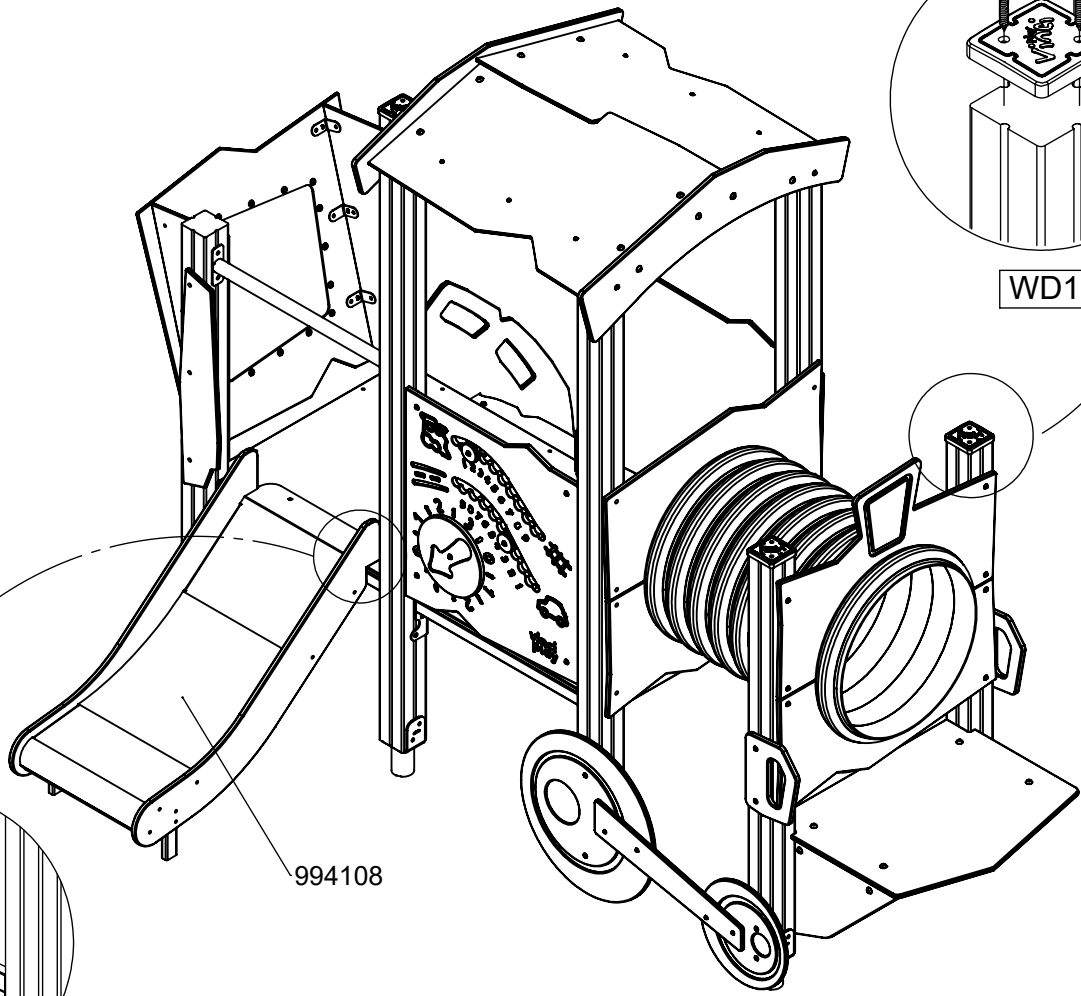
WE130 WL130

8x50 sxi

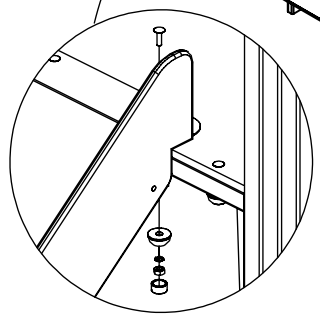


[cm]

vinci play

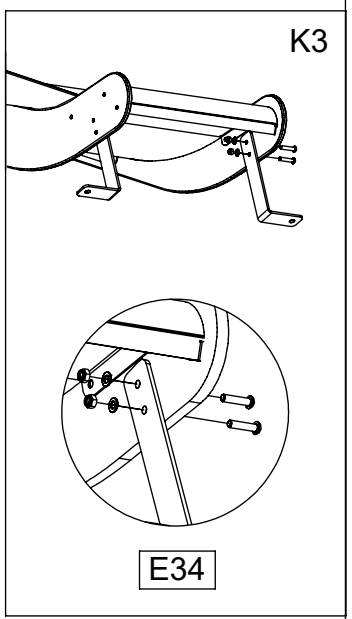
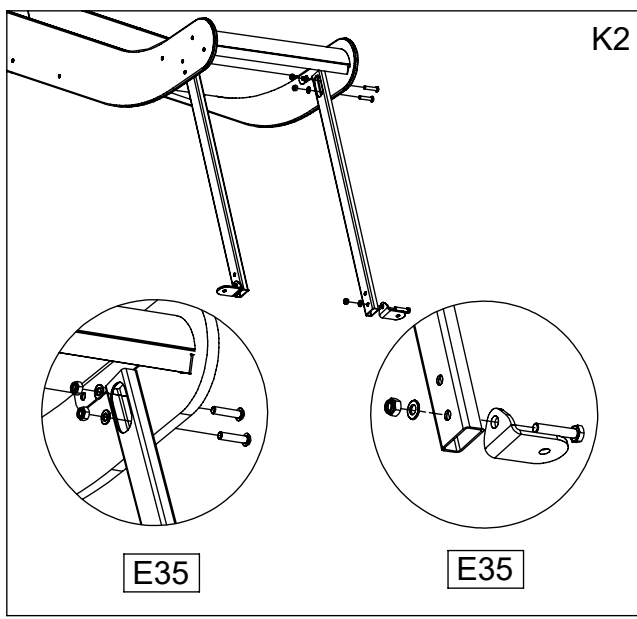
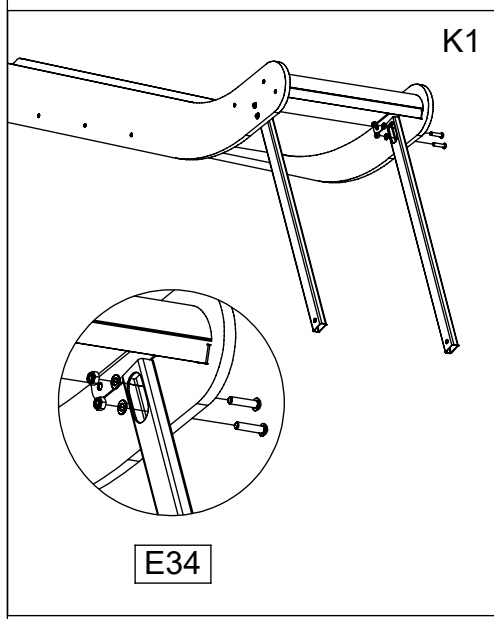


WD1



994108

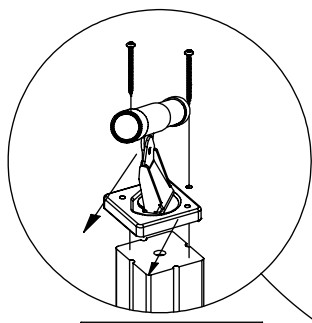
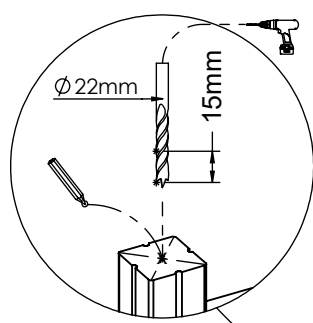
- | | | |
|---------|------|-------|
| PLYWOOD | | HPL |
| WD28 | (S1) | WD29 |
| PLYWOOD | | HPL |
| WD113 | (S6) | WD114 |



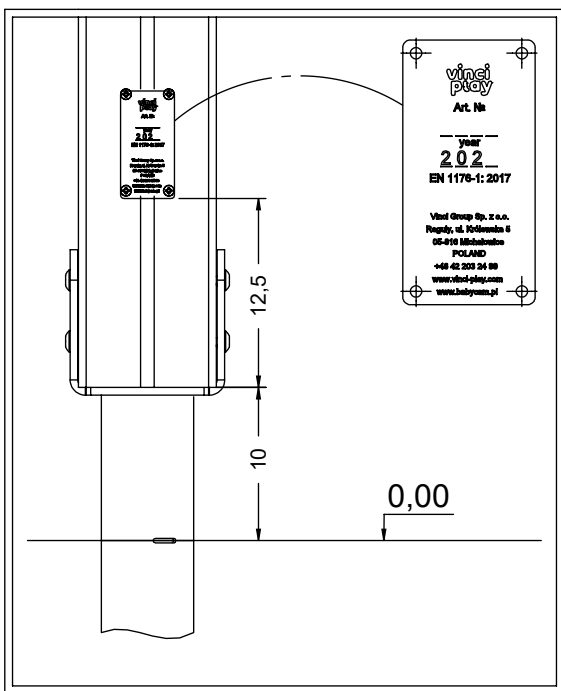
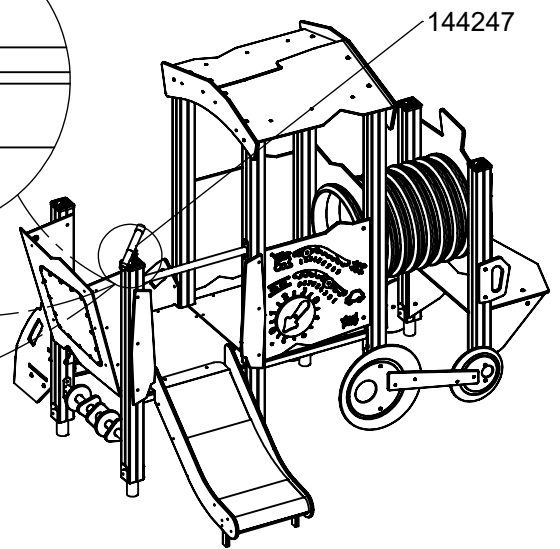
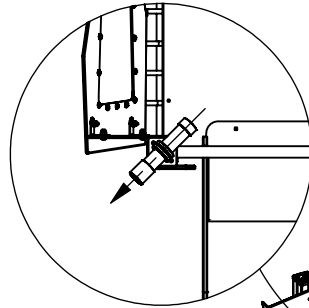
- | | | | | | |
|---|----|--|----|---|------|
| 5 | 13 | | 17 | 6 | TX20 |
|---|----|--|----|---|------|

[cm]

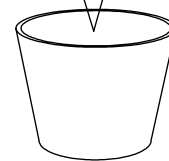
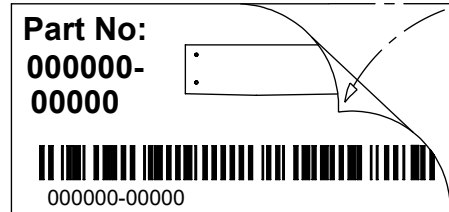
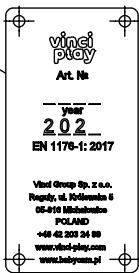
vinci
play



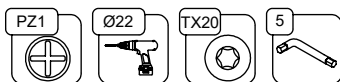
6x80 sxt



V001



[cm]



vinci
play