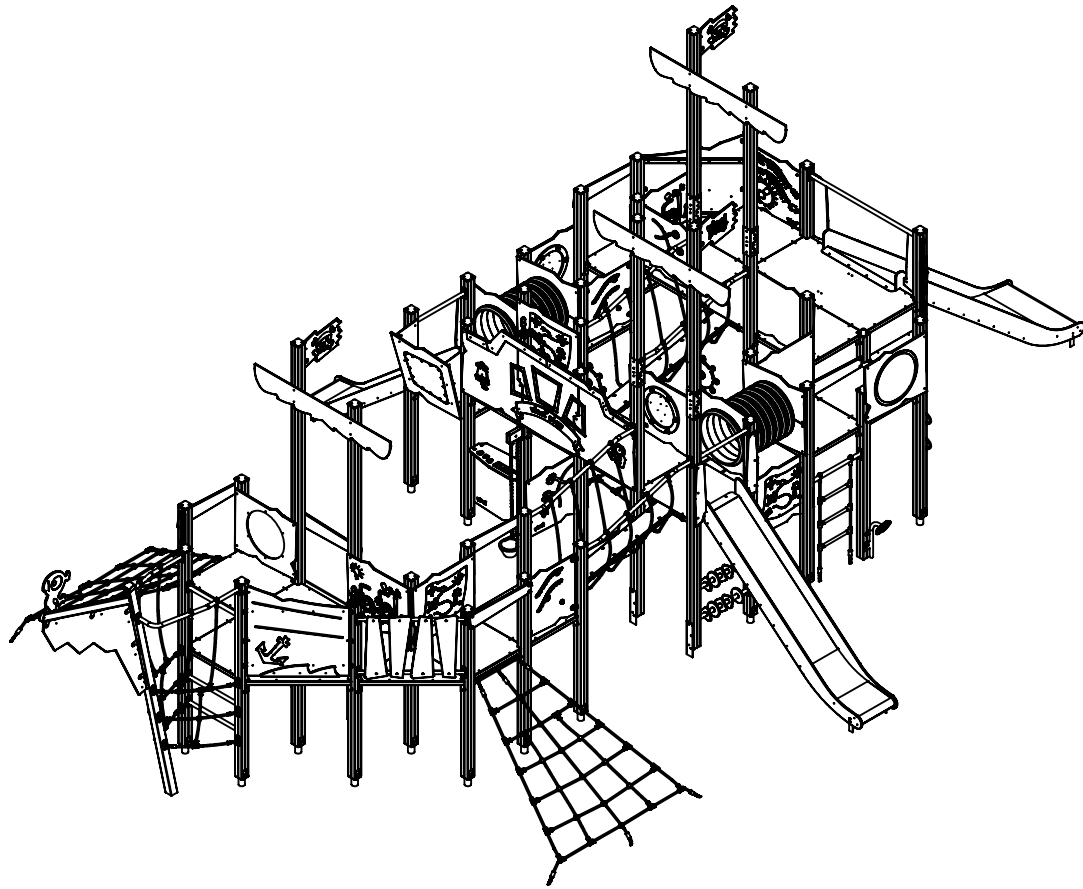
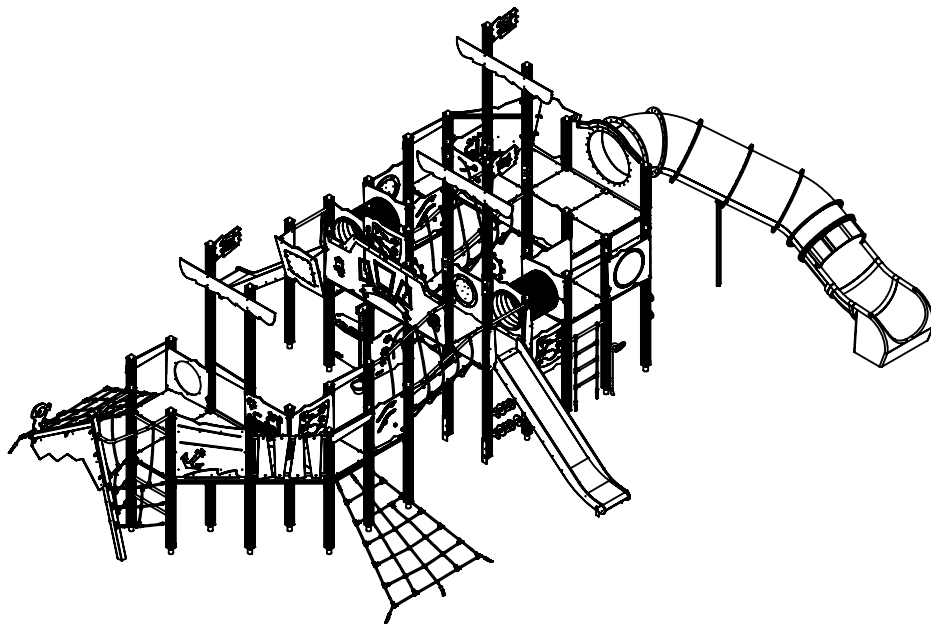


WD1580

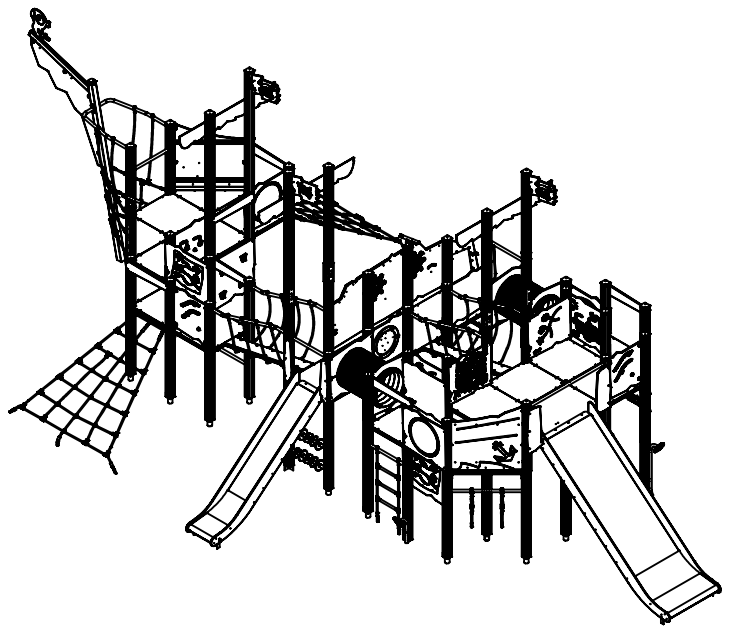
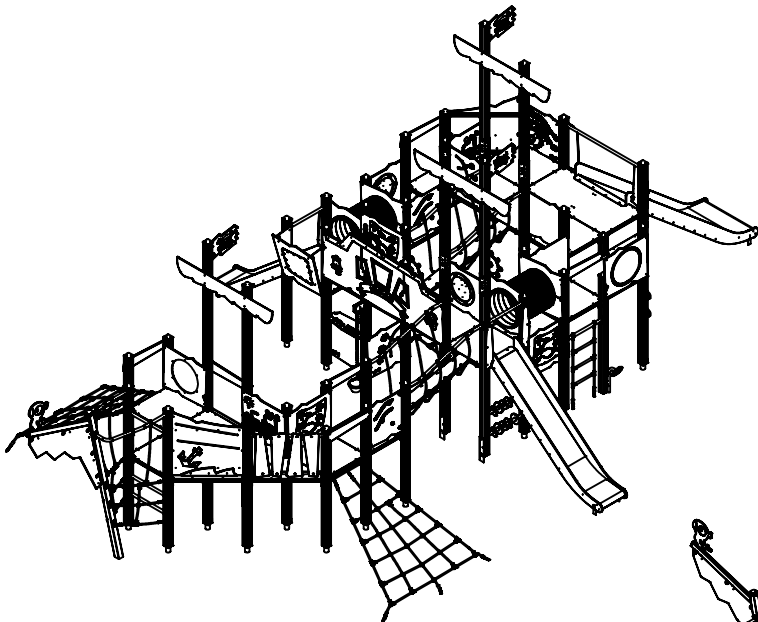
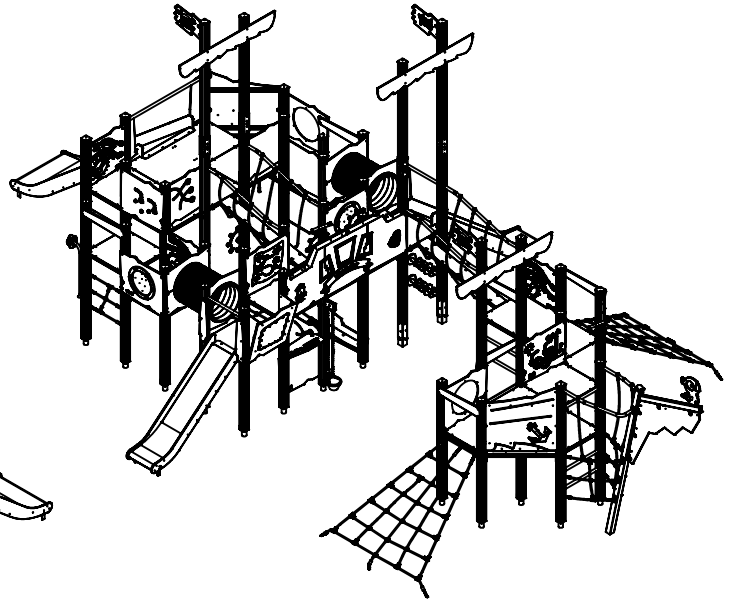
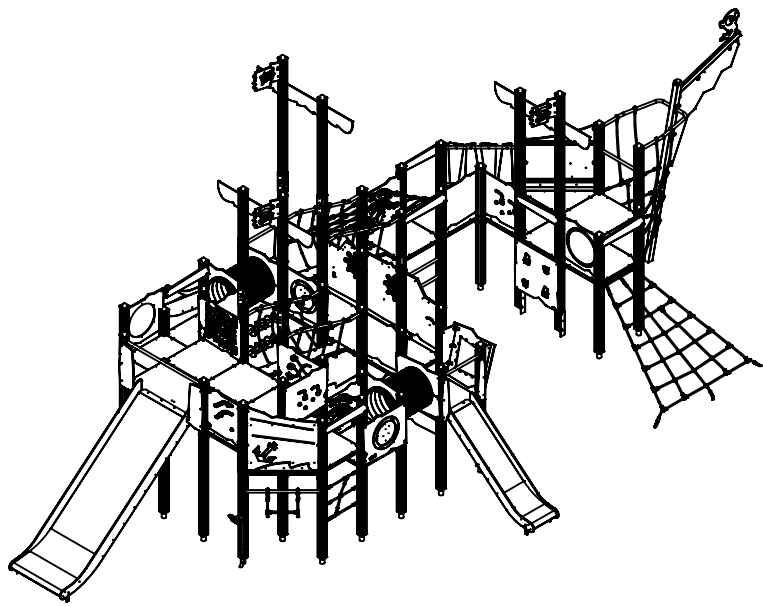


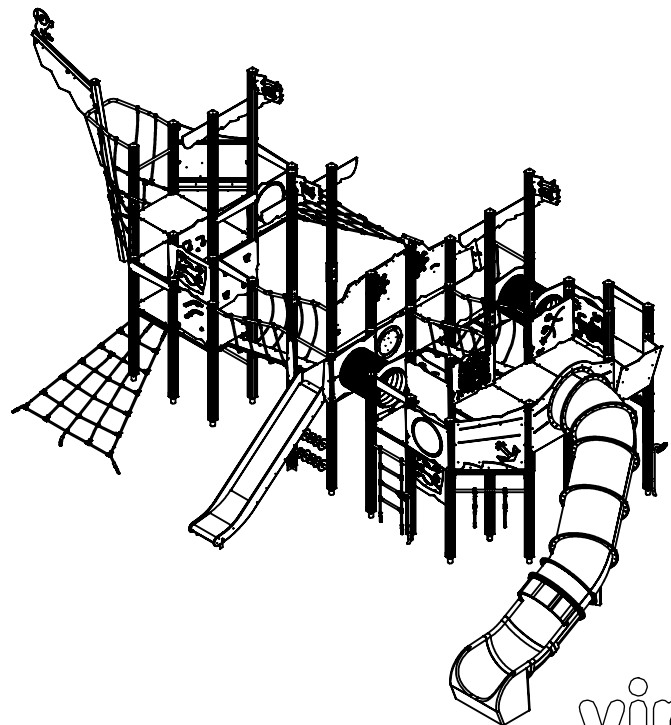
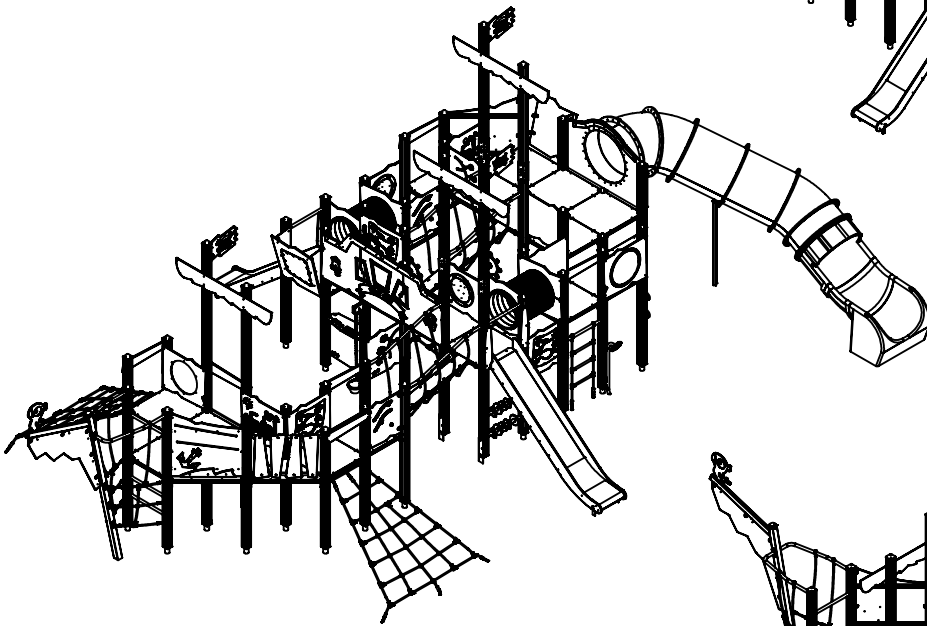
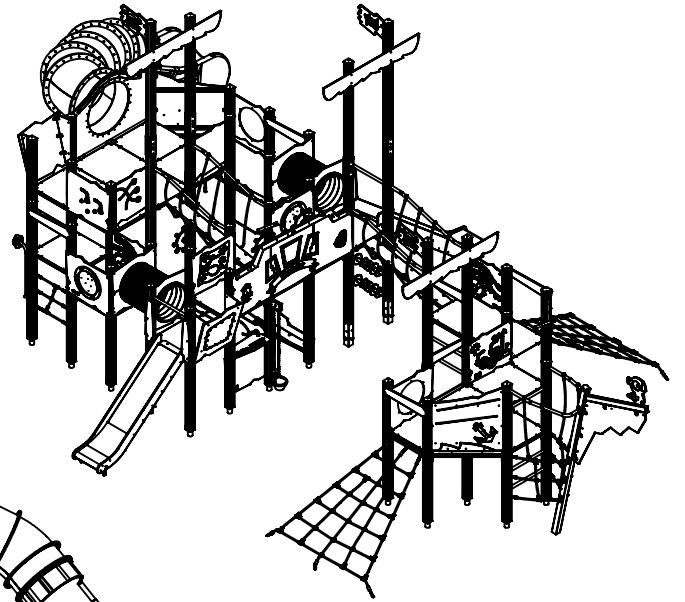
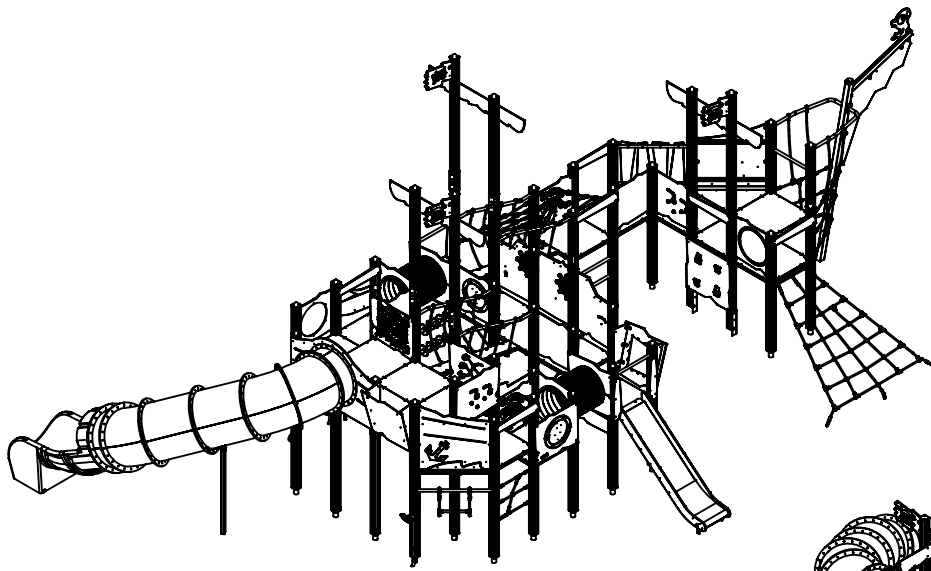
WD1580S2



v010
04.04.2022
A.D.
[cm]

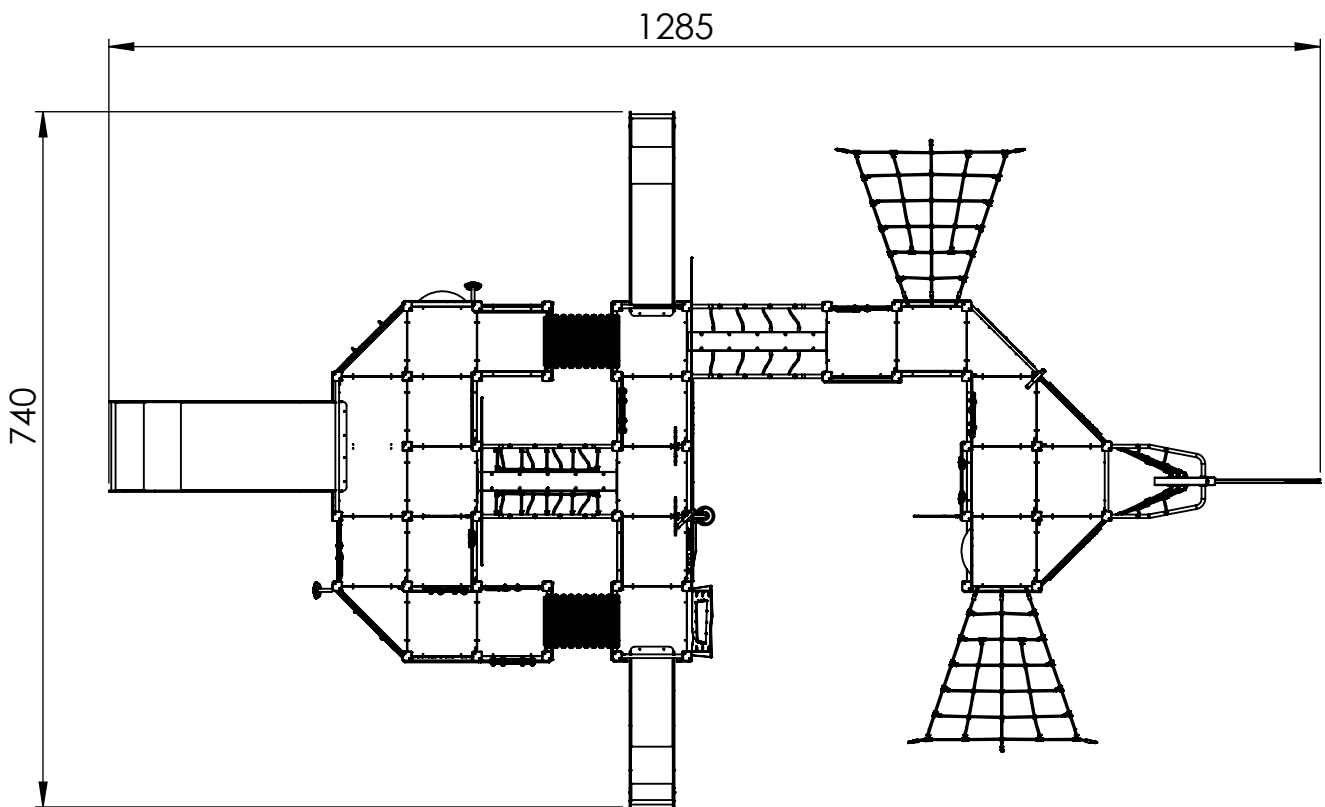
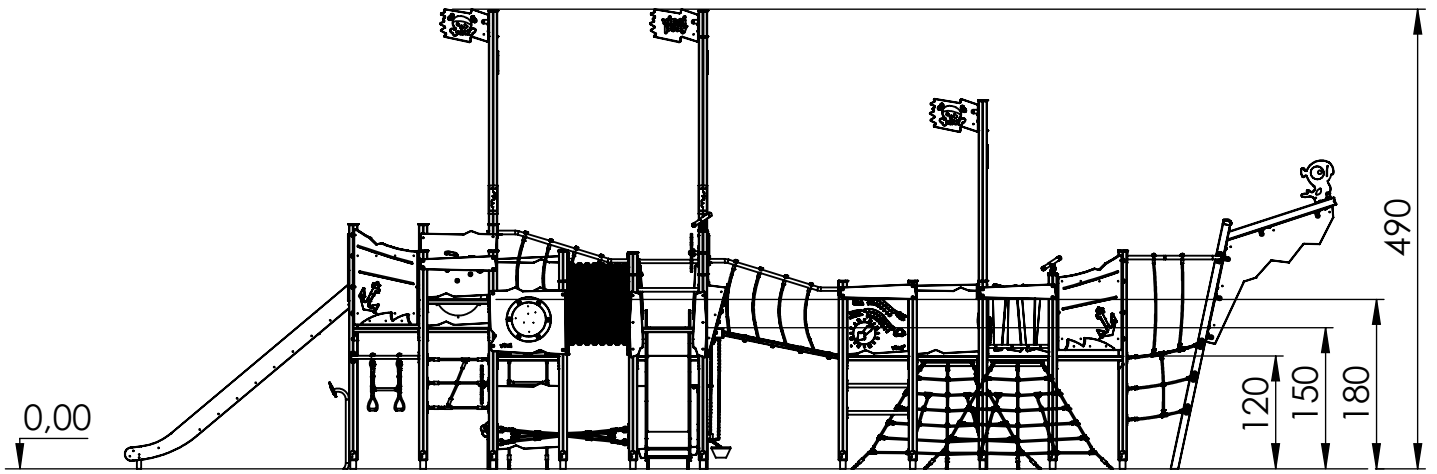
vinci
play

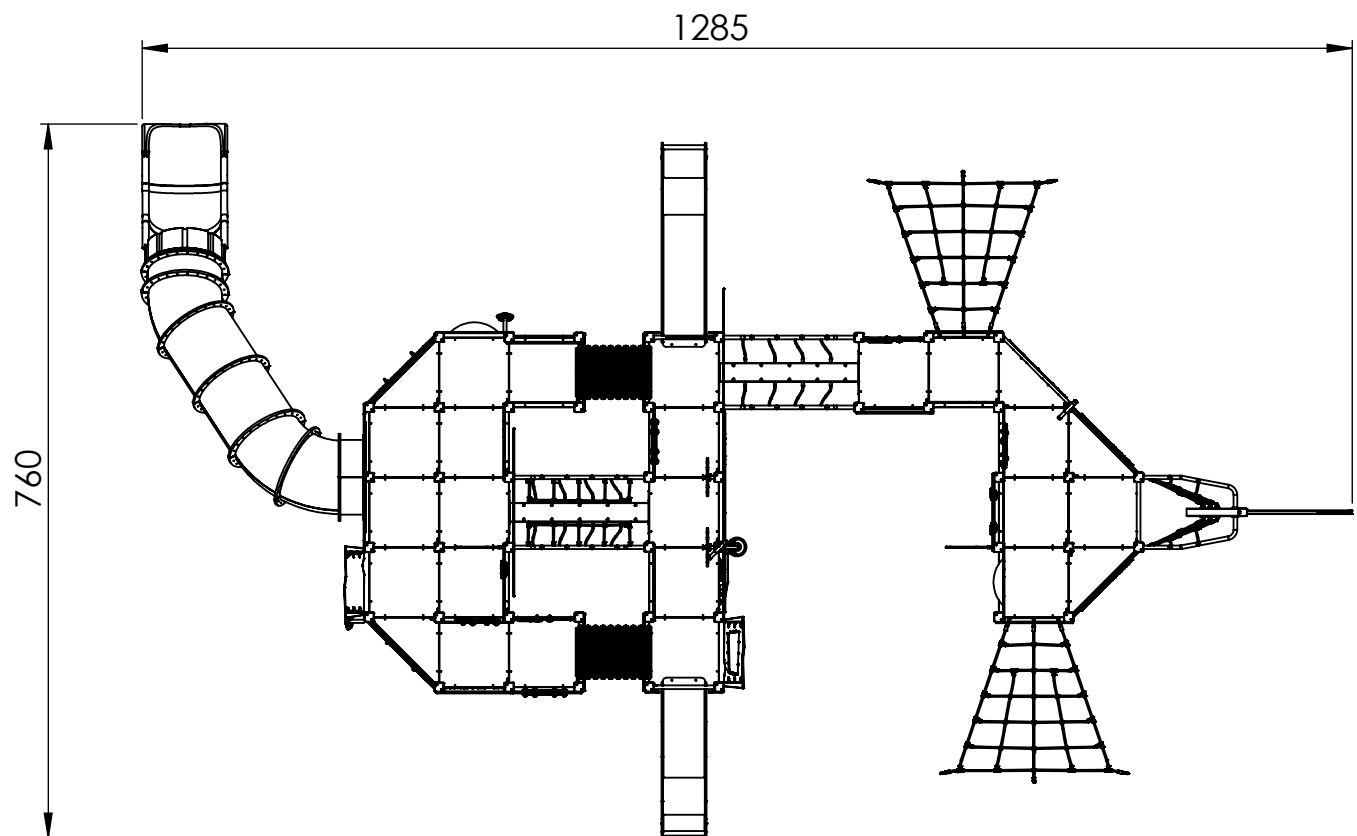
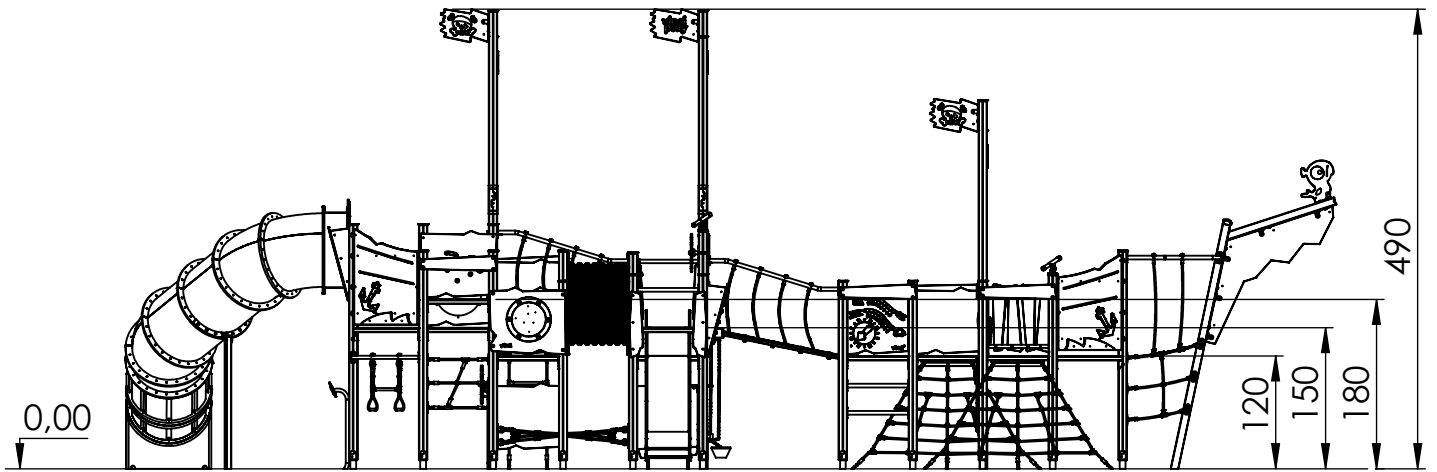




[cm]

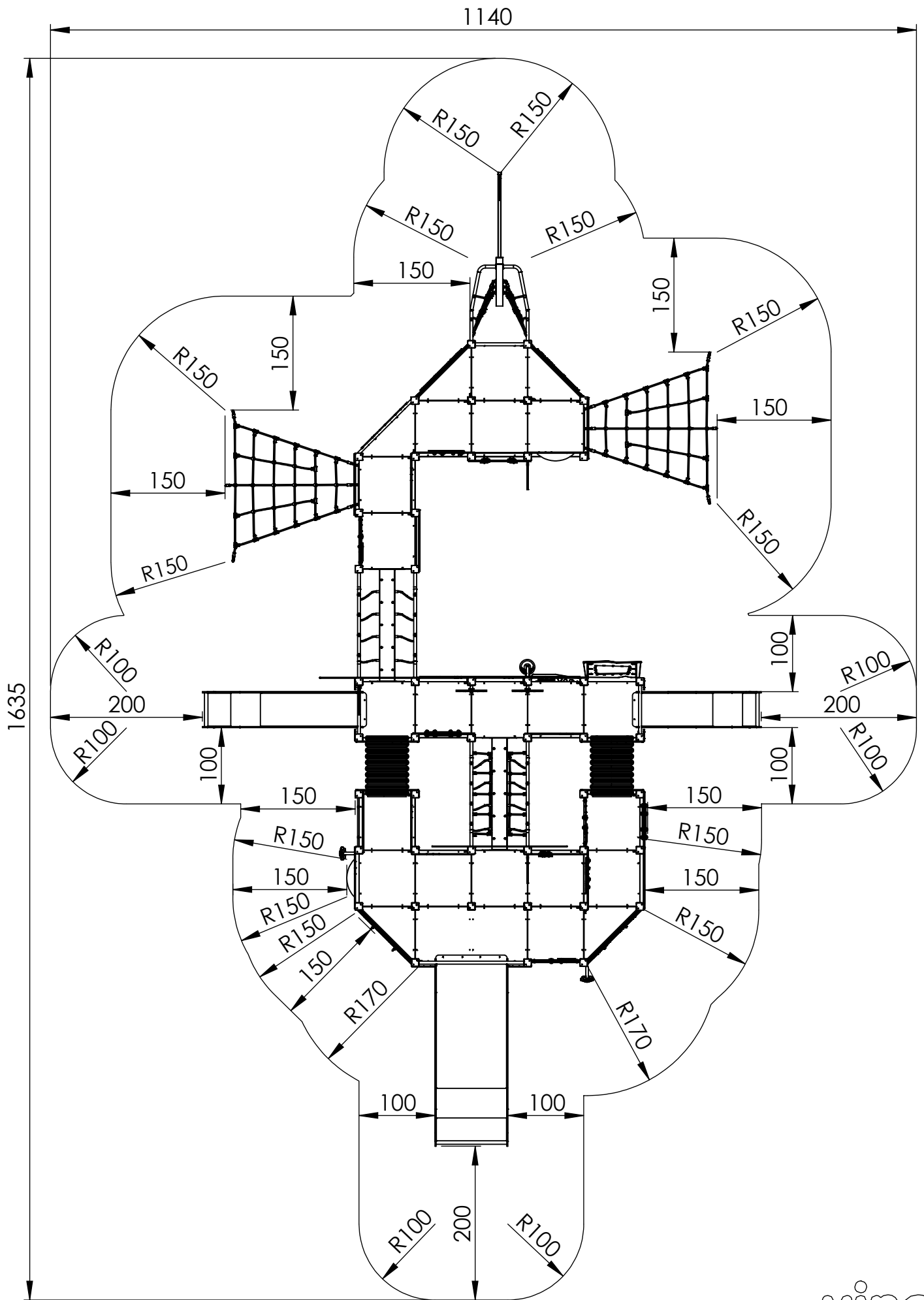
vinci
play





[cm]

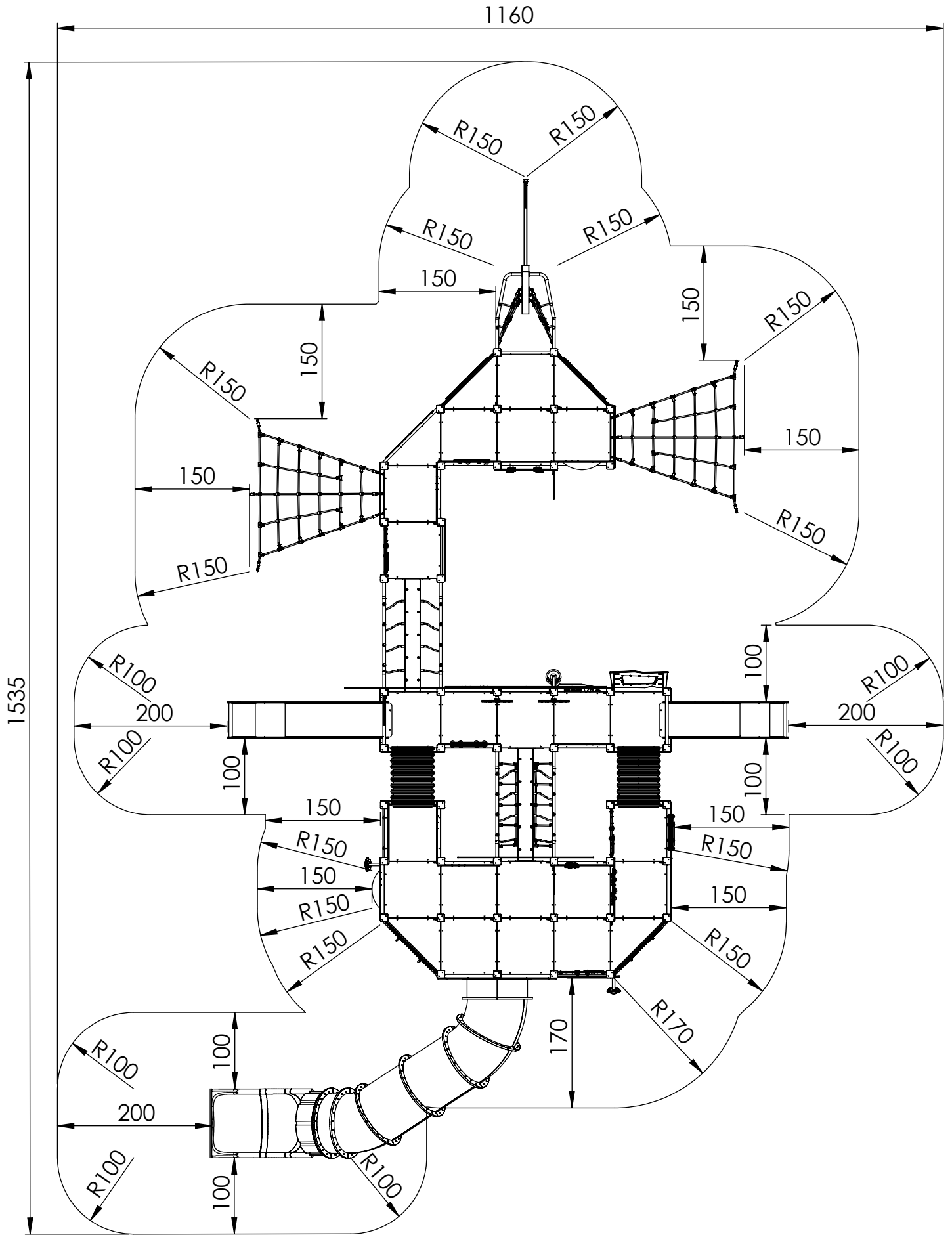
vinci
play



[cm]

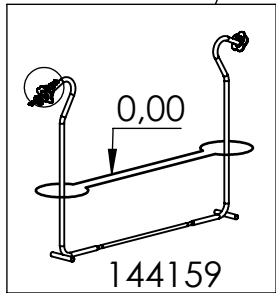
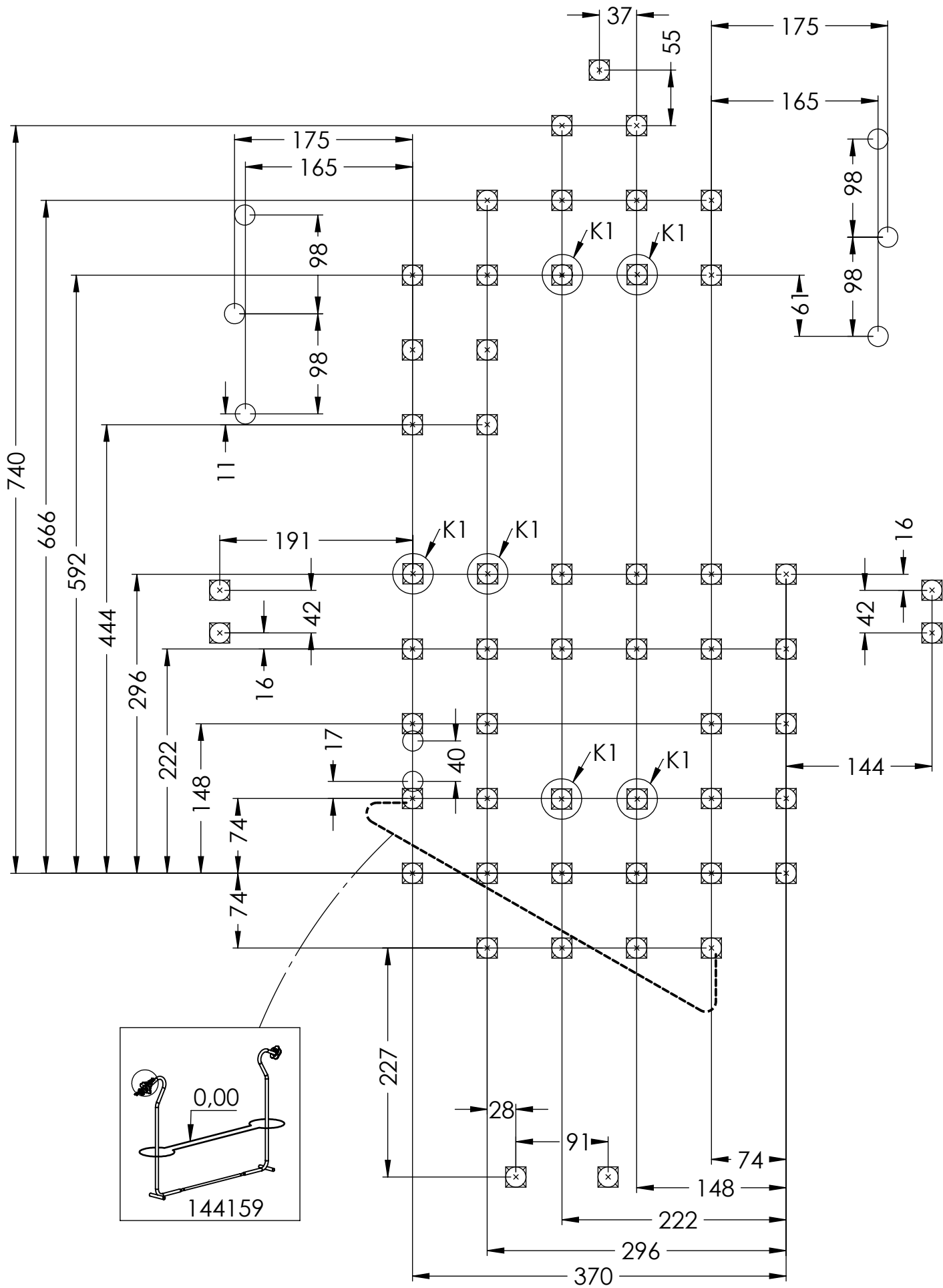
vinci
play

WD1580S2



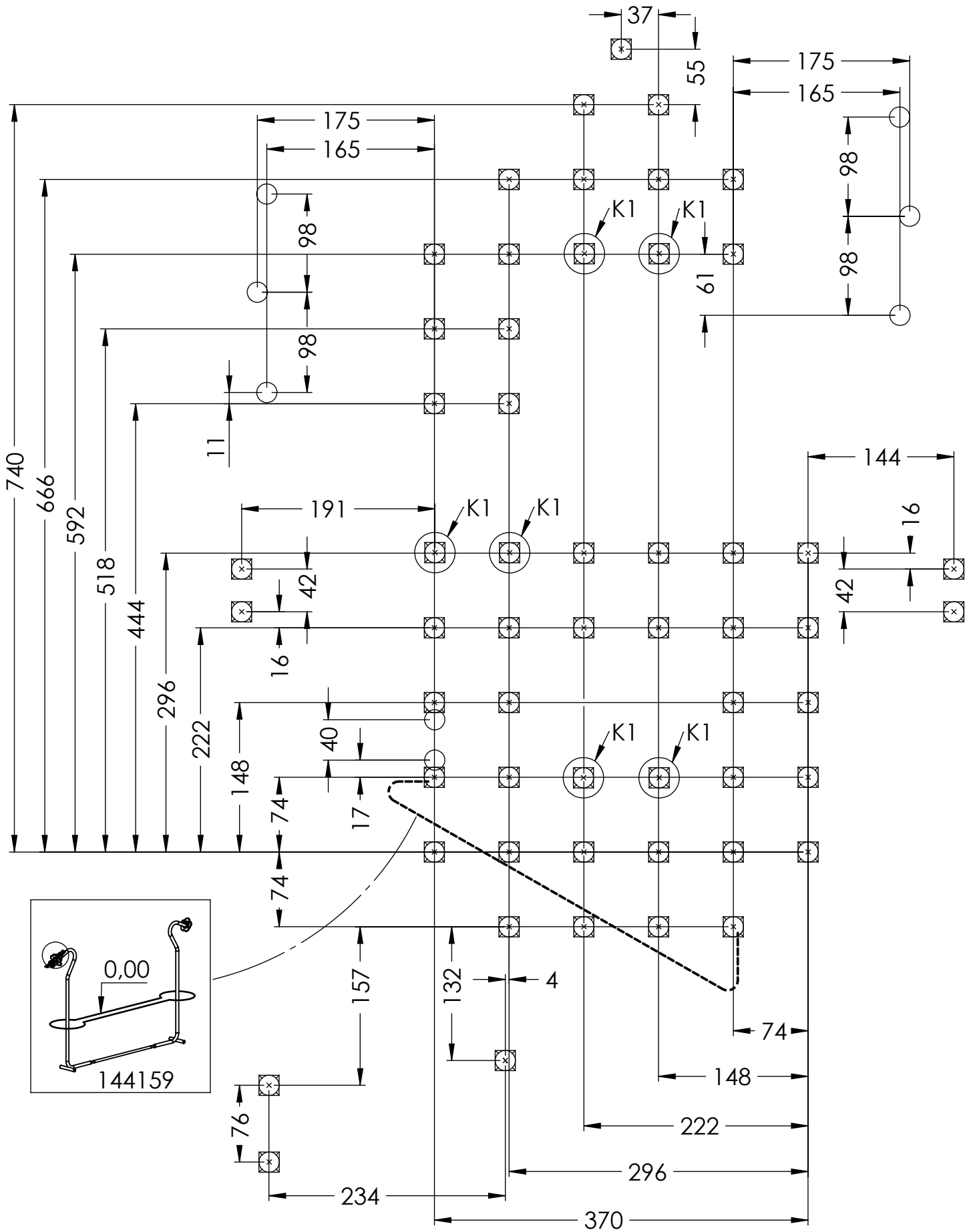
[cm]

vinci
play



vinci play

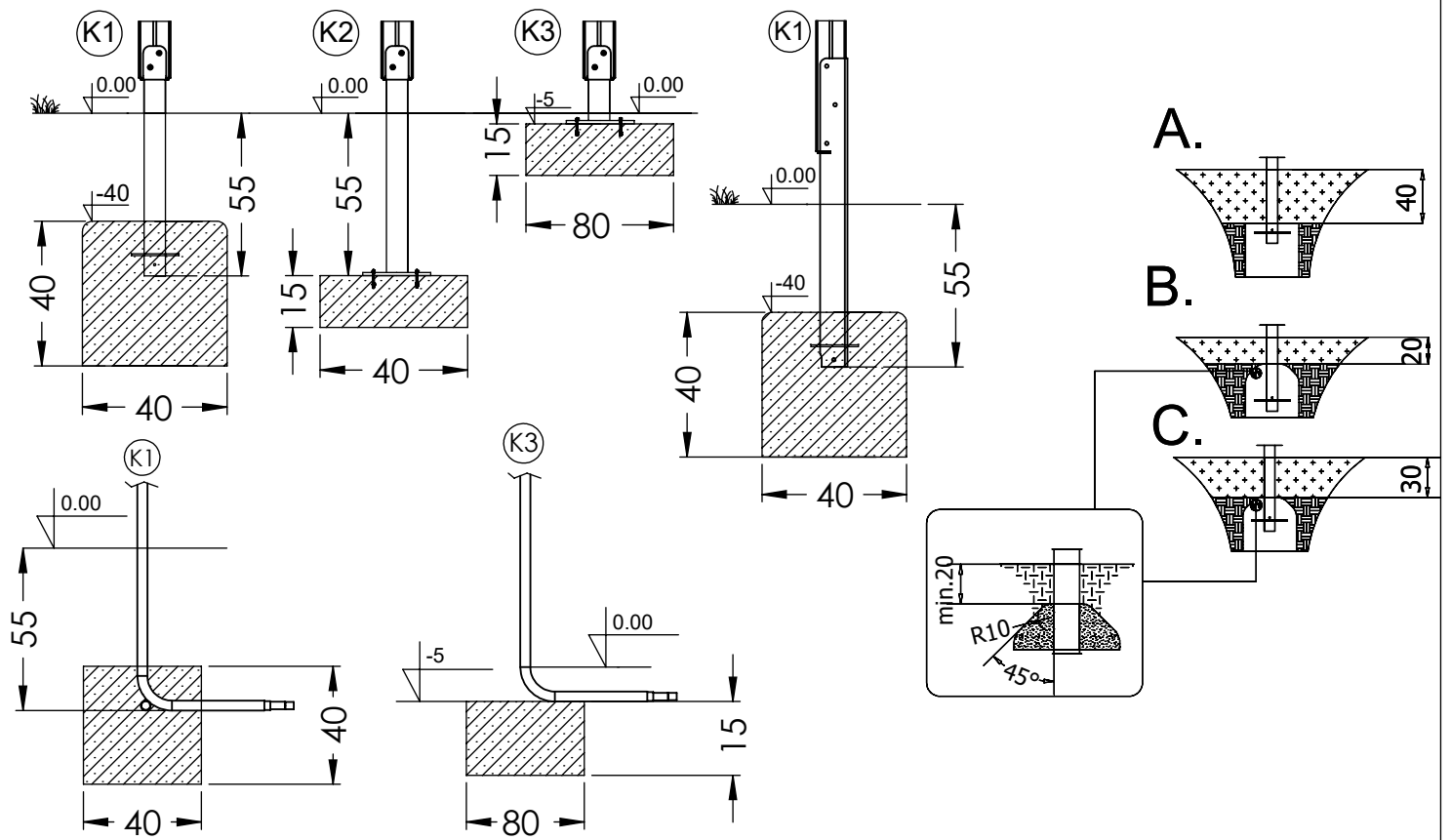
[cm]



[cm]

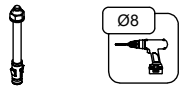


vinci
play



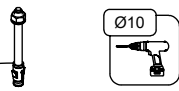
WD1580S1

4x M8x120 (K2)

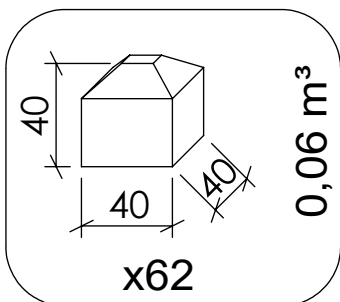
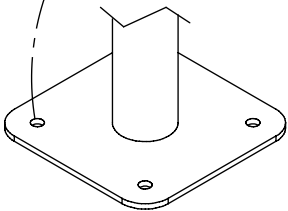


NOT INCLUDED 

180x M10x120 (K2)
200x M10x120 (K3)

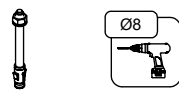


NOT INCLUDED 



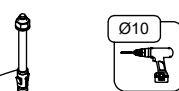
WD1580S2

6x M8x120 (K2)

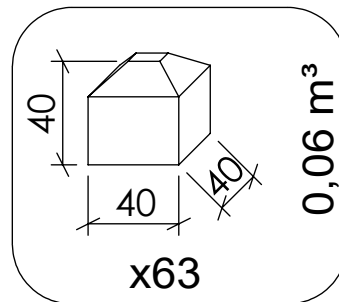
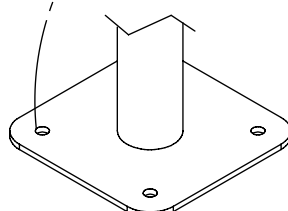


NOT INCLUDED 

180x M10x120 (K2)
196x M10x120 (K3)



NOT INCLUDED 



[cm]

vinci
play



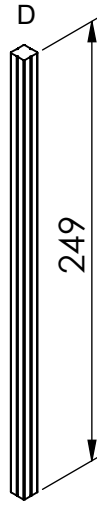
14738090
x1



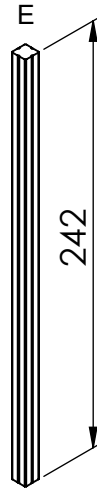
14734890
x1



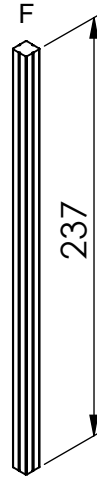
14727990
x4



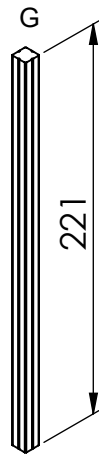
14724990
x6



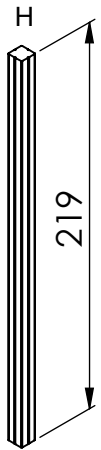
14724290
x1



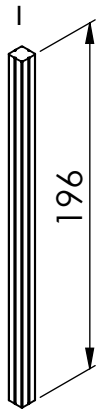
14723790
x1



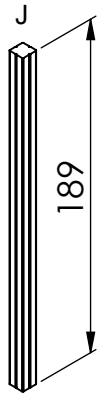
14722190
x8



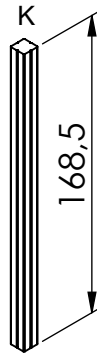
14721990
x6



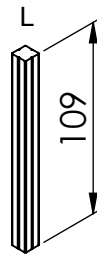
14719690
x6



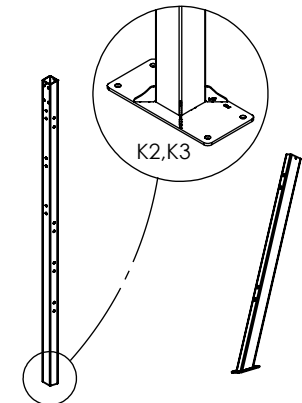
14718990
x9



14716890
x5



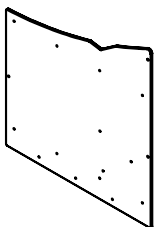
14710890
x2



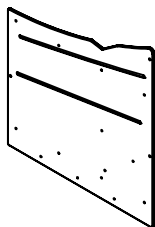
3080-AN
x1



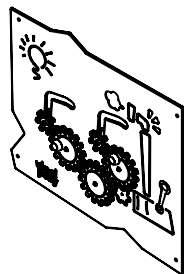
302143
x1



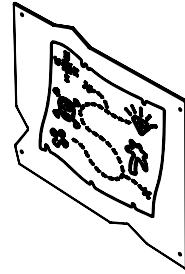
141444
x2



141445
x2



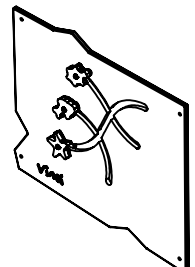
141232
x2



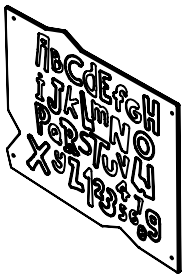
141127
x3



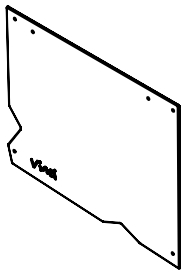
141303
x2



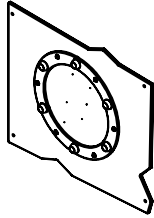
141139
x2



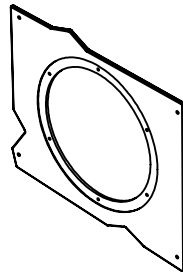
141250
x1



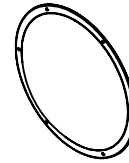
141152
x1



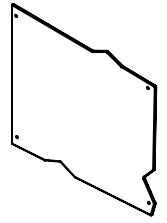
141320
x2



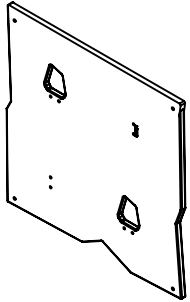
141128
x2



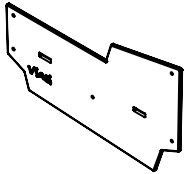
996184
x2



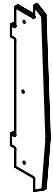
141125
x1



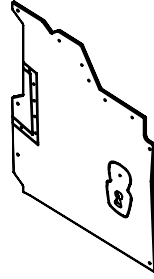
141108
x1



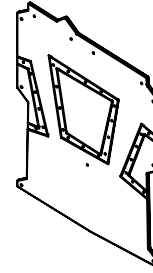
141184
x1



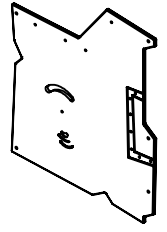
141185
x1



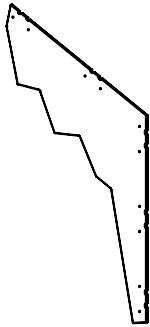
141437
x1



141438
x1



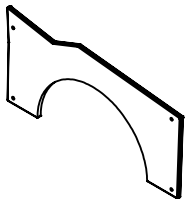
141439
x1



141446
x1



141286
x3



141140
x8



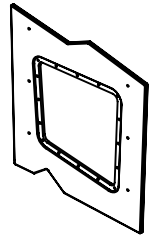
141142
x4



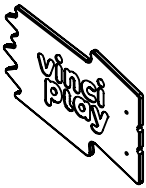
141132
x6



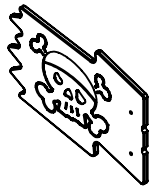
141133
x4



141305
x1



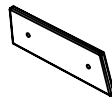
301238
x1



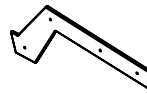
301239
x2



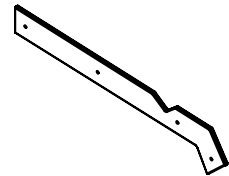
991106
x4



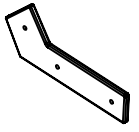
141440
x1



141441
x1



141442
x1



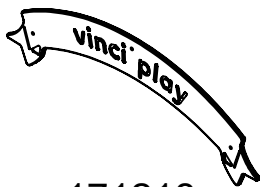
141443
x1



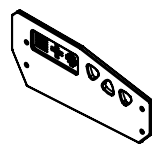
031652
x1



171219
x1



171218
x1



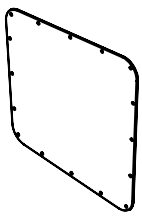
141253
x1



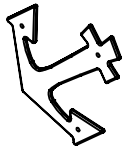
031570
x1



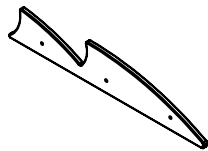
141137
x2



141306
x1



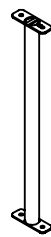
141155
x4



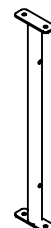
141372
x4



144126
x2



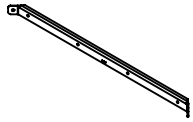
142117
x7



142137
x1



144242
x2



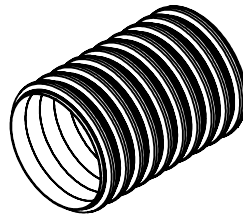
i391
x8



301243
x8



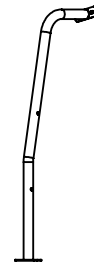
i181
x8



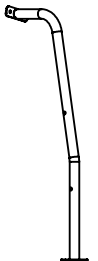
996143
x2



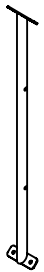
994121
x1



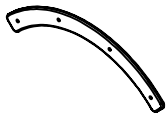
302141
x1



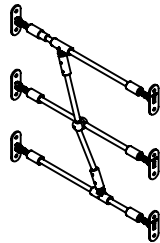
302142
x1



142171
x2



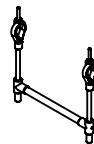
991241
x8



145121
x1



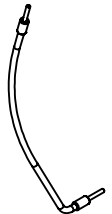
995100
x2



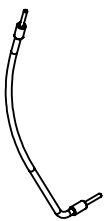
145126
x1



145167
x4



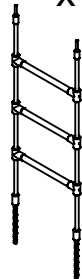
145168
x4



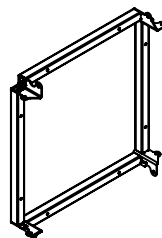
145169
x4



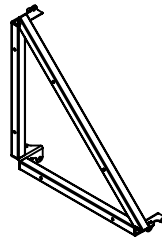
145170
x4



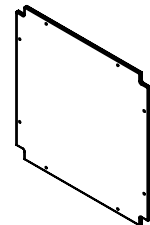
145102
x1



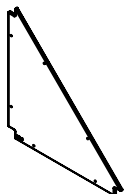
142109
x21



142110
x5

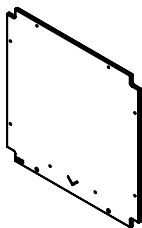


141100
x17



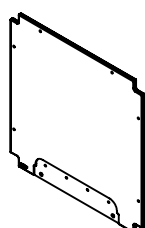
141104
x5

S1

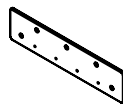


141101
x2

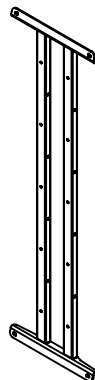
S6



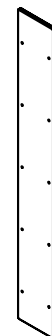
141103
x2



171233
x2



142119
x2



141105
x2



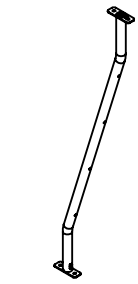
b341
x2



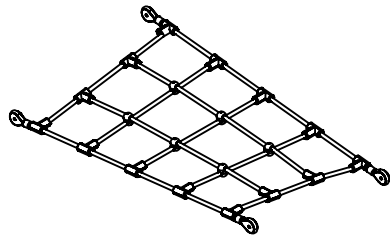
141299
x5

[cm]

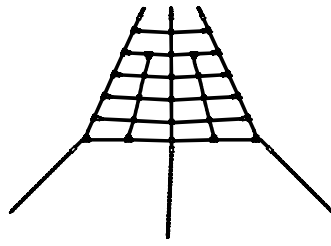
vinci
play



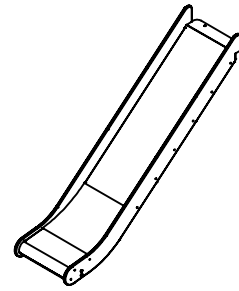
142138
x4



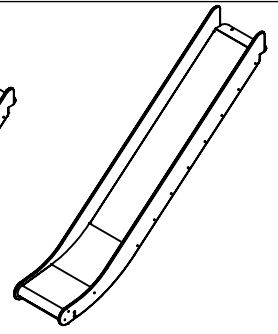
145240
x1



144245
x2



994104
x1



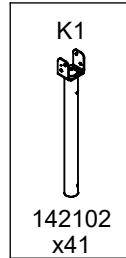
994105
x1



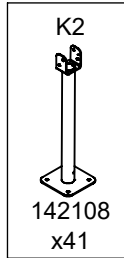
305111
x1



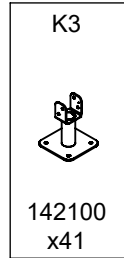
305112
x1



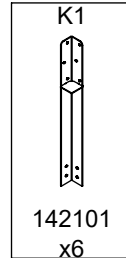
K1
142102
x41



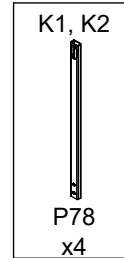
K2
142108
x41



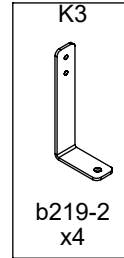
K3
142100
x41



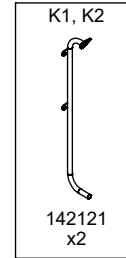
K1
142101
x6



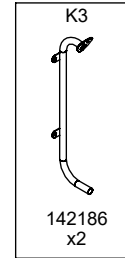
K1, K2
P78
x4



K3
b219-2
x4

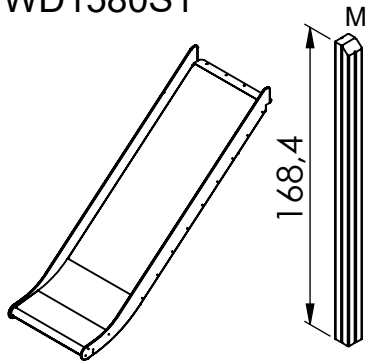


K1, K2
142121
x2



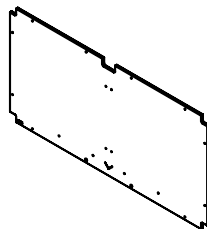
K3
142186
x2

WD1580S1

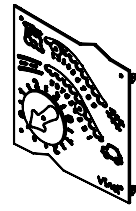


994153
x1

147170040
x1



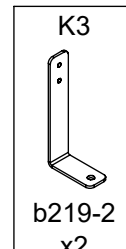
141141
x1



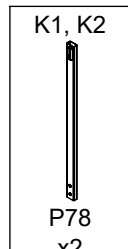
141303
x1



141146
x2



K3
b219-2
x2

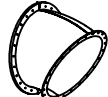


K1, K2
P78
x2

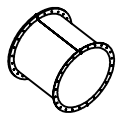
WD1580S2



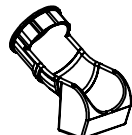
996419
x2



996420
x3



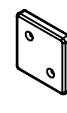
996421
x2



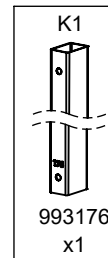
996422
x1



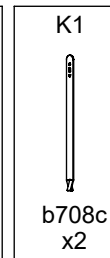
992267
x1



141299
x1



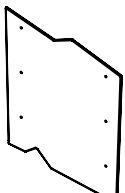
K1
993176
x1



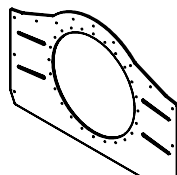
K1
b708c
x2



141137
x2



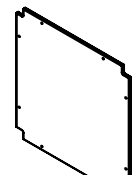
141138
x1



141391
x1



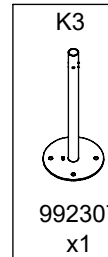
141392
x1



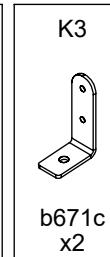
141100
x2



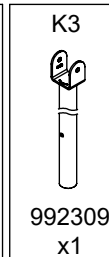
K
14716890
x1



K3
992307
x1



K3
b671c
x2



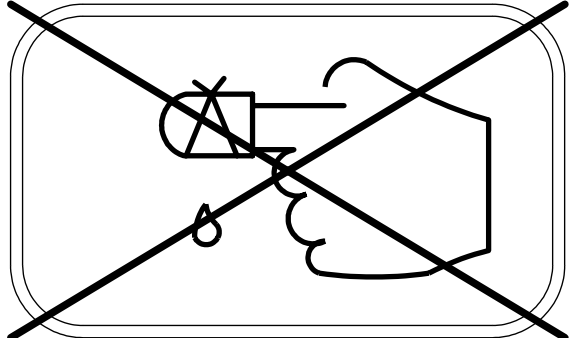
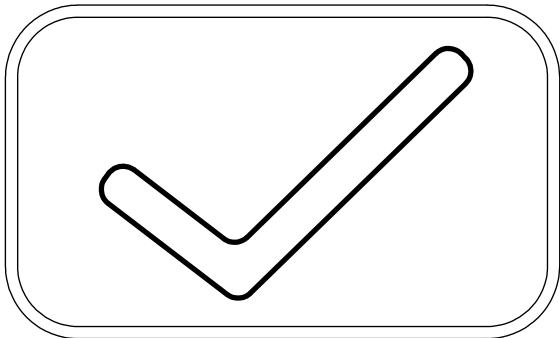
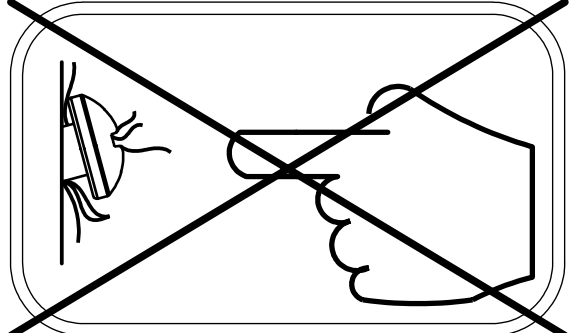
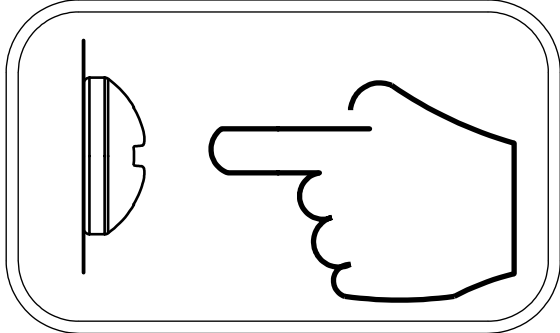
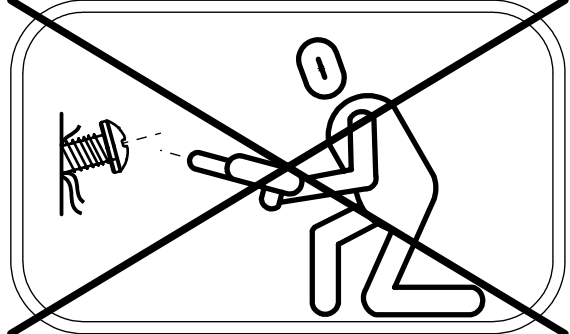
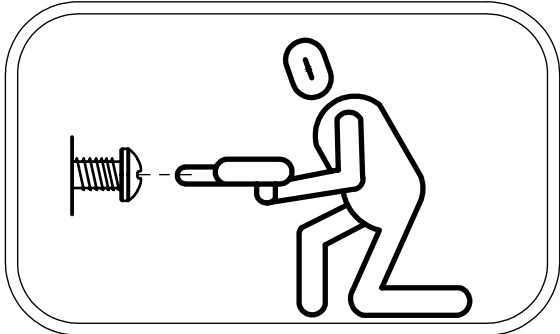
K3
992309
x1

PLYWOOD / HDPE		HPL	
2x	CE8	2x	CL8
2x	CE9	2x	CL9
2x	CE83	2x	CL83
2x	PS52	2x	PH52
2x	WD28 _(S1)	2x	WD29 _(S1)
1x	WD40	1x	WD41
2x	WD42	2x	WD43
2x	WD63	2x	WD64
1x	WD72	1x	WD73
11x	WD74	11x	WD75
12x	WD76	12x	WD77
1x	WD106	1x	WD107
1x	WD108	1x	WD109
1x	WD112	1x	WD137
2x	WD113 _(S6)	2x	WD114 _(S6)
2x	WE125	2x	WL125
2x	WE126	2x	WL126
1x	WE128	1x	WL128
1x	WD132	1x	WD133
2x	WD182	2x	WD181
1x	c084	1x	WD252
1x	c086	1x	WD253
8x	c080	3x	c074
		4x	E130
		5x	WD213

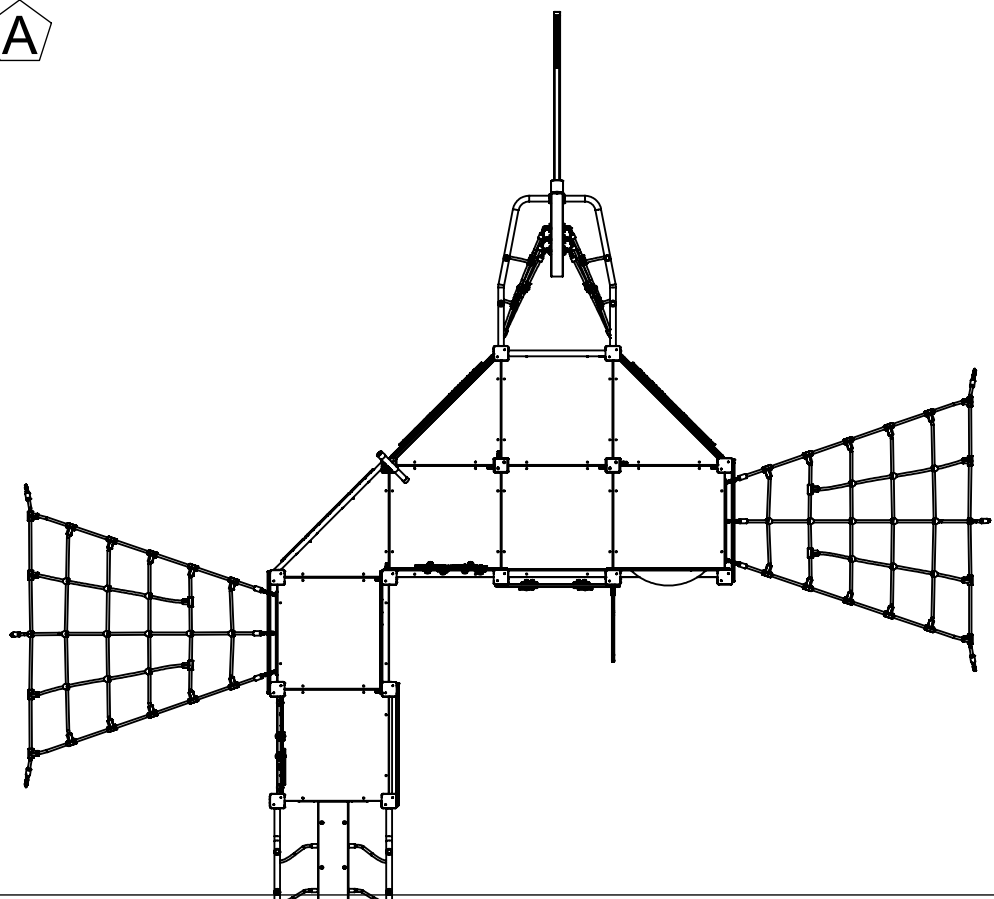
ST/INOX	
12x	6x50 sxs
4x	6x80 sxi
802x	8x50 sxi
20x	10x25ikl
16x	10pp
2x	17p061 _(S6)
4x	c140
2x	E10
2x	E34 _(K1,K3)
2x	E35 _(K2)
2x	E150
1x	E169
3x	i030
2x	i076
8x	i128-1
1x	V001
41x	WD1
1x	WD2
1x	WD14-1
3x	WD14-2
4x	WD14-4
6x	WD50
8x	WD52
1x	WD254
2x	Z18
6x	30e030

WD1580S2					
ST/INOX		PLYWOOD / HDPE		HPL	
1x	c080	1x	WD65	1x	WD90
1x	c164	2x	WD76	2x	WD77
5x	30e090	1x	30c156	1x	30e098
1x	30e091				
1x	30e092				
1x	30e095				
1x	30e093				
1x	30e096 _(K1)				
1x	30e101 _(K3)				

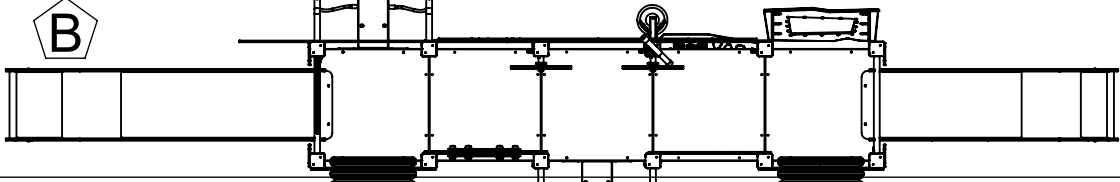
WD1580S1					
ST/INOX		PLYWOOD / HDPE		HPL	
1x	E34 _(K1,K3)	1x	CE49	1x	CL49
1x	E35 _(K2)	1x	CE83	1x	CL83
1x	WD1-1	1x	WD74	1x	WD75
4x	i128-1	1x	WD76	1x	WD77
		1x	WD80	1x	WD81
		1x	WE125	1x	WL125
		1x	WE126	1x	WL126



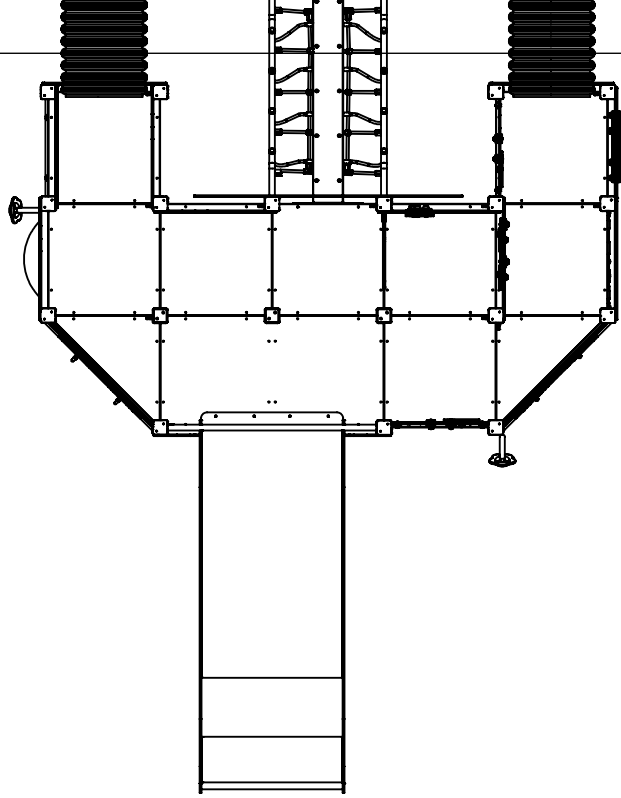
A



B



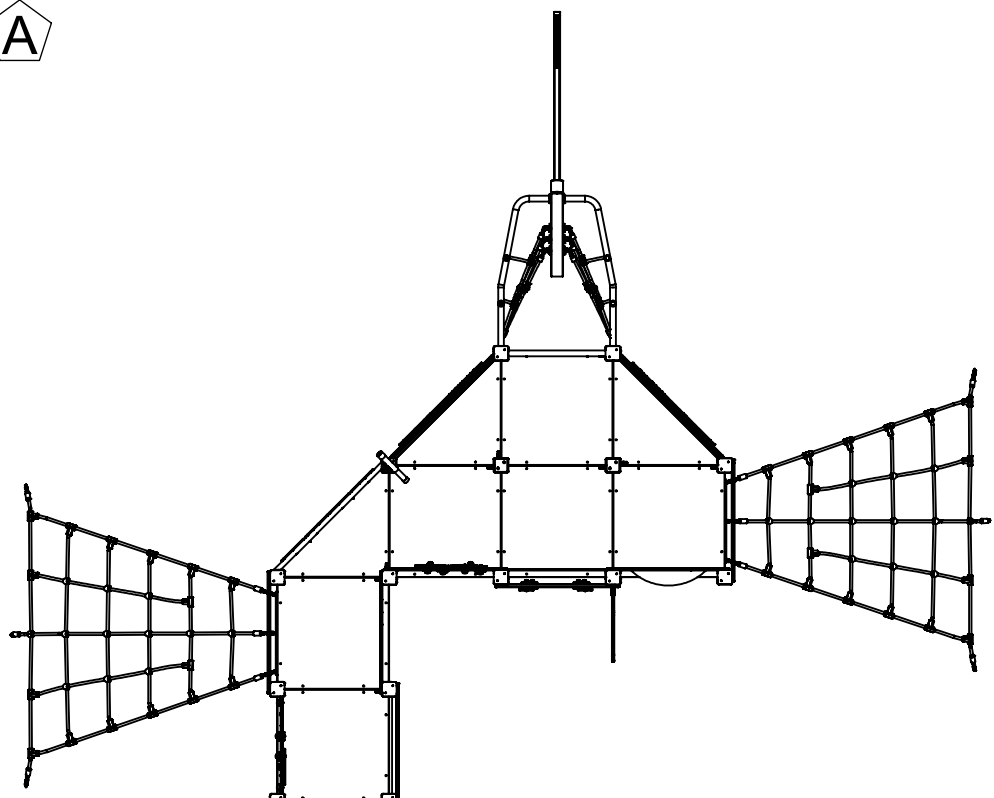
C



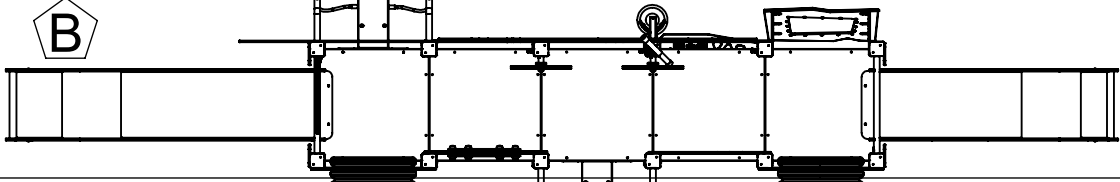
[cm]

vinci
play

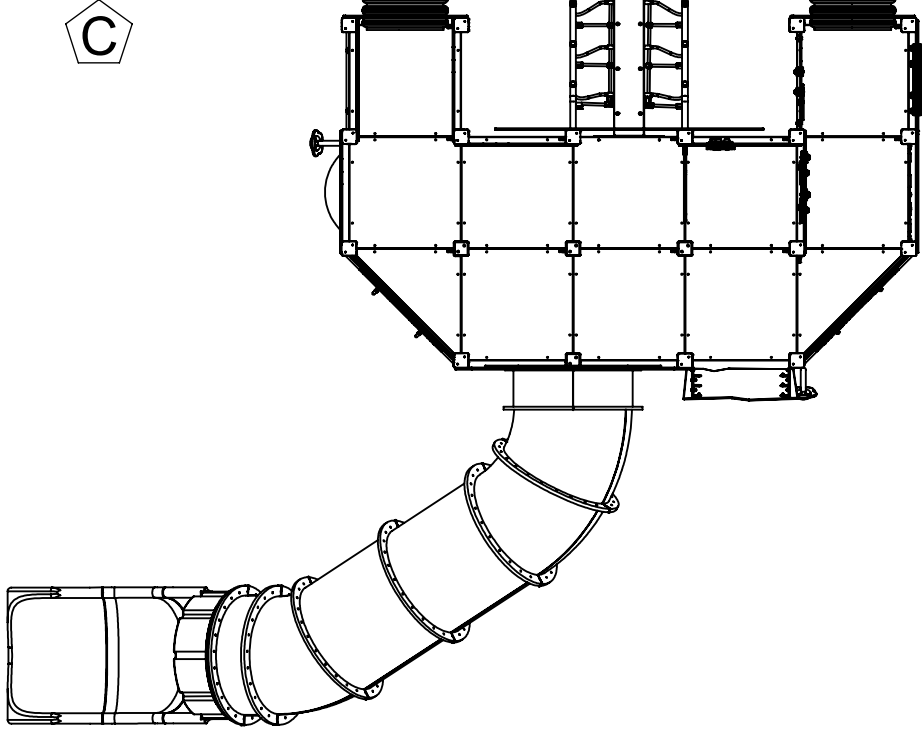
A



B

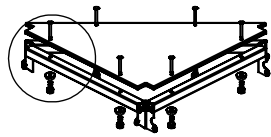
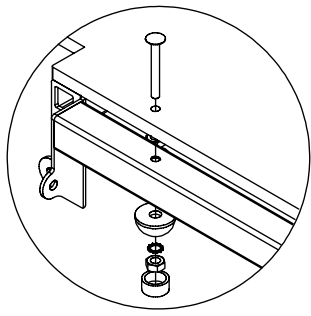


C



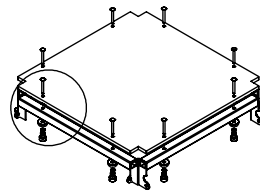
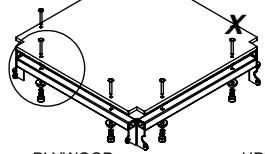
[cm]

vinci
play



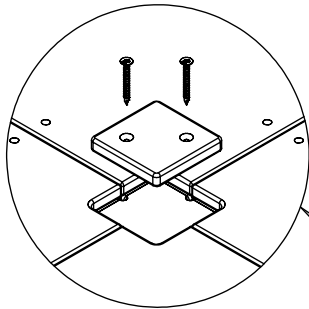
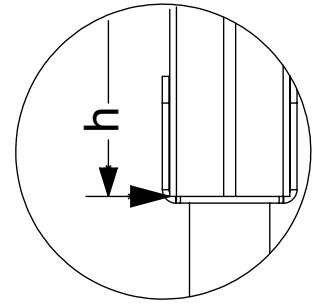
PLYWOOD
WD74

HPL
WD75

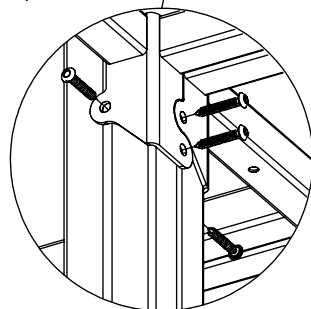
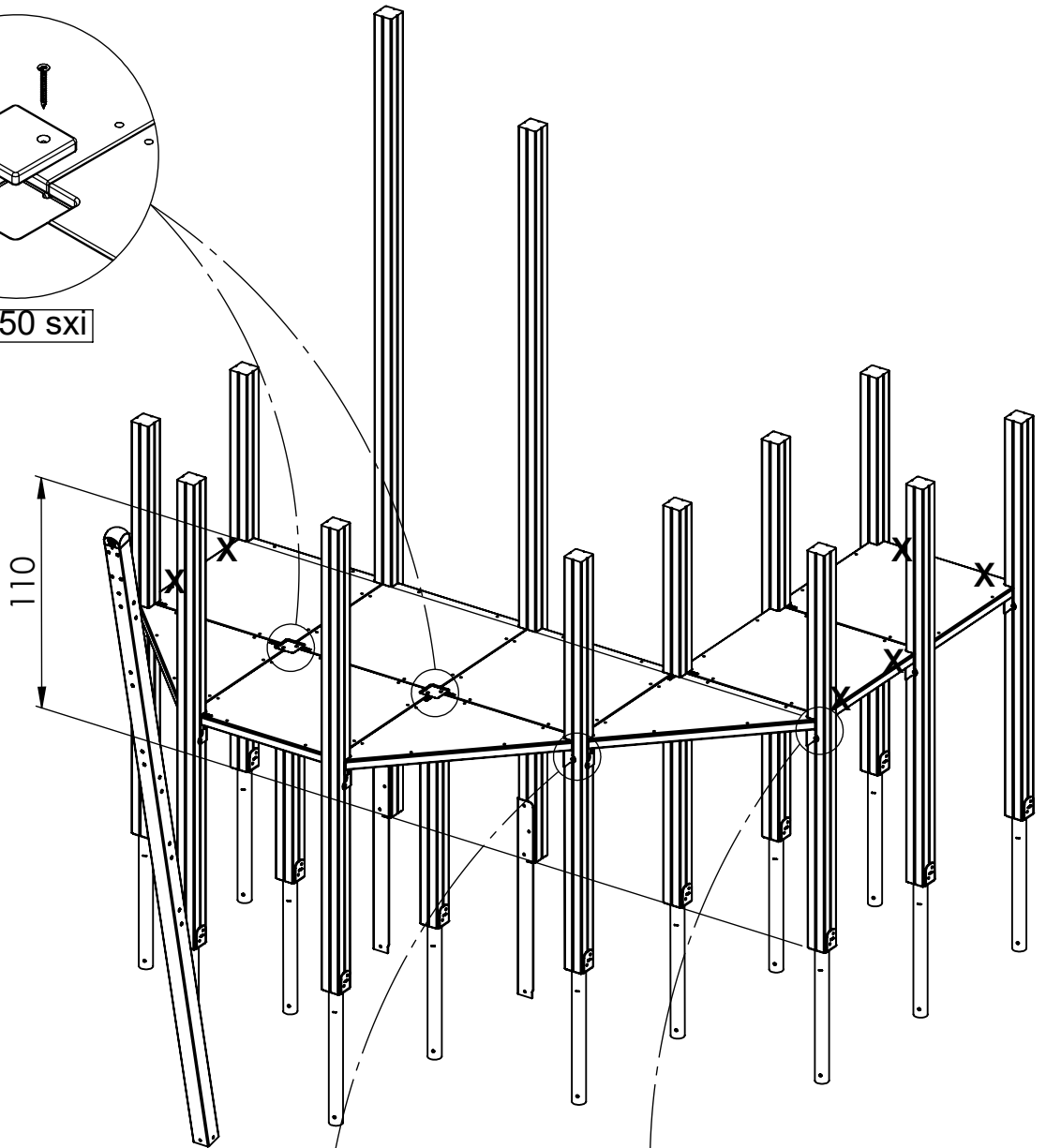


PLYWOOD
WD76

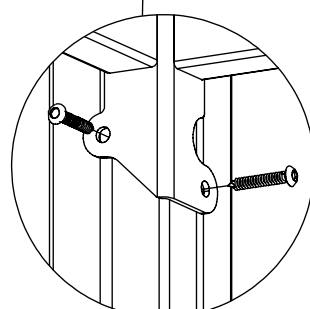
HPL
WD77



6x50 sxi



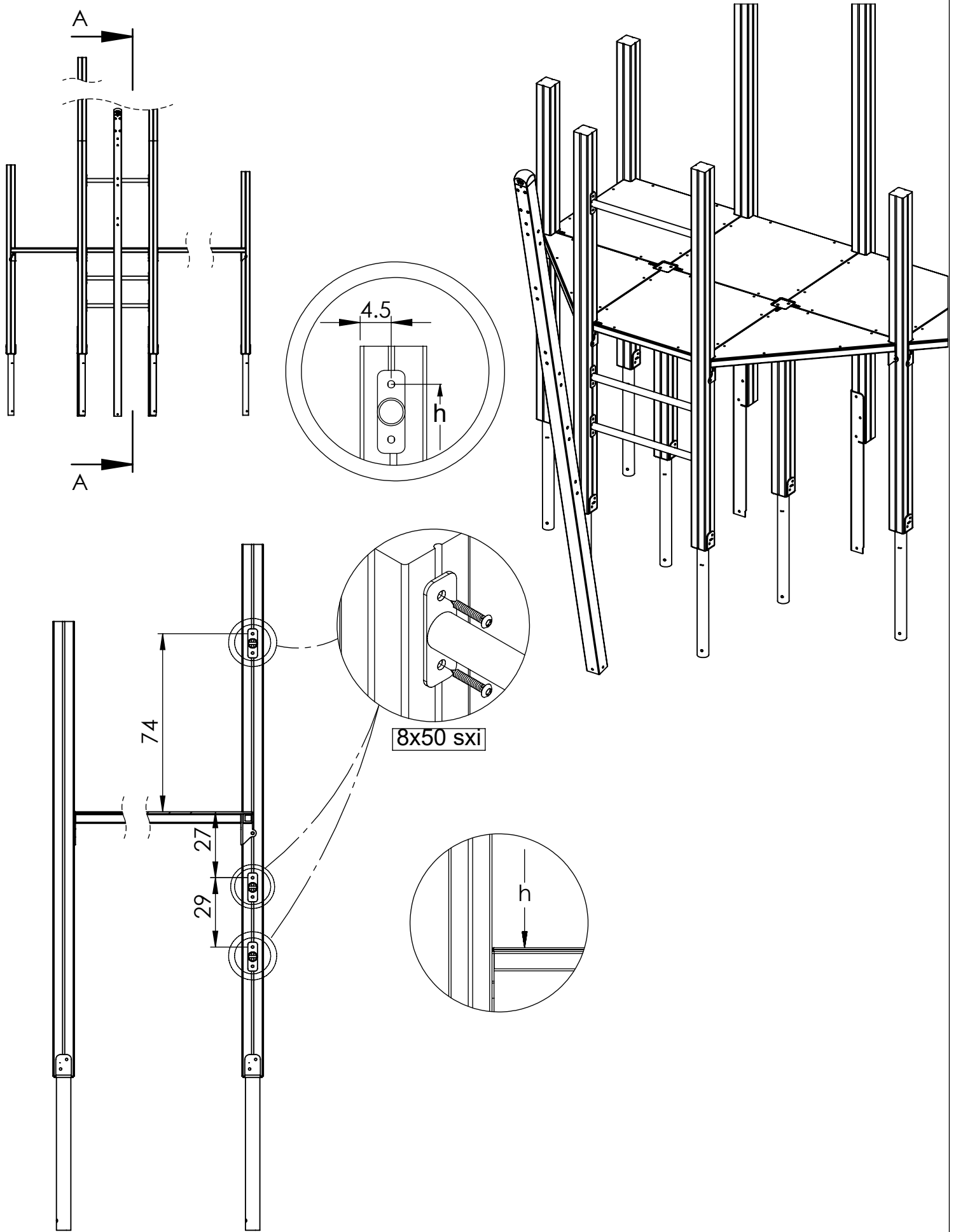
8x50 sxi



8x50 sxi

[cm]

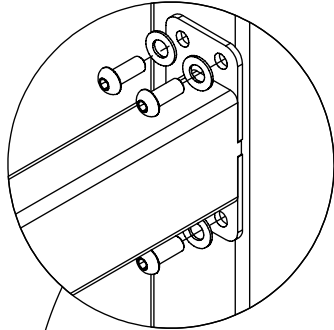
vinci
play



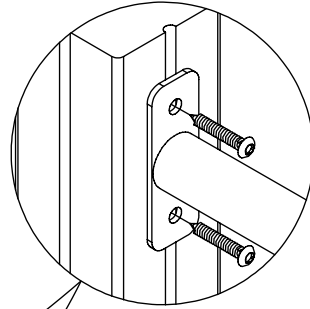
A-A

[cm]

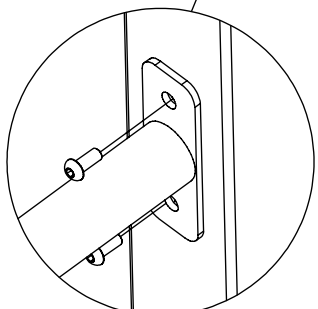
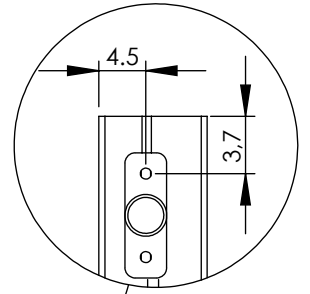
vinci
play



10x25i kl
10pp



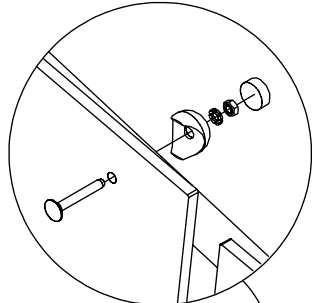
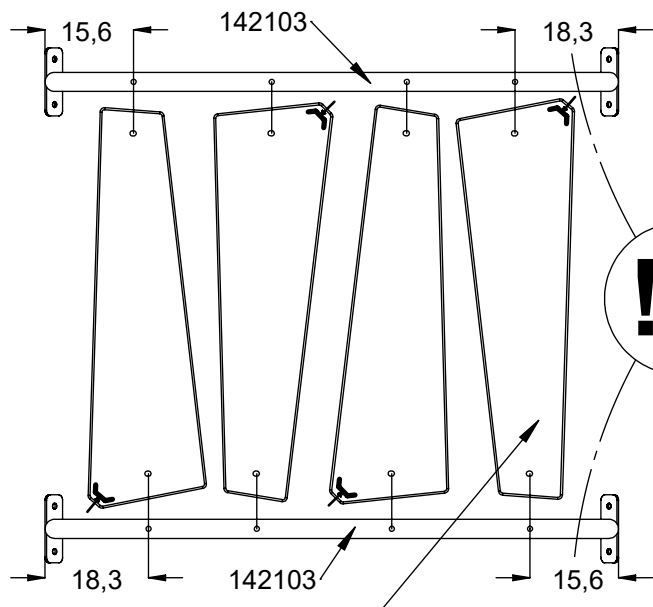
8x50 sxi



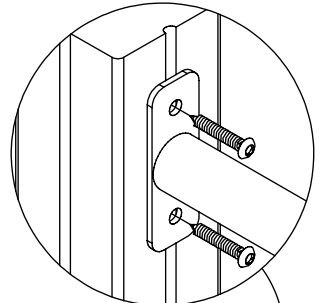
10x25i kl

[cm]

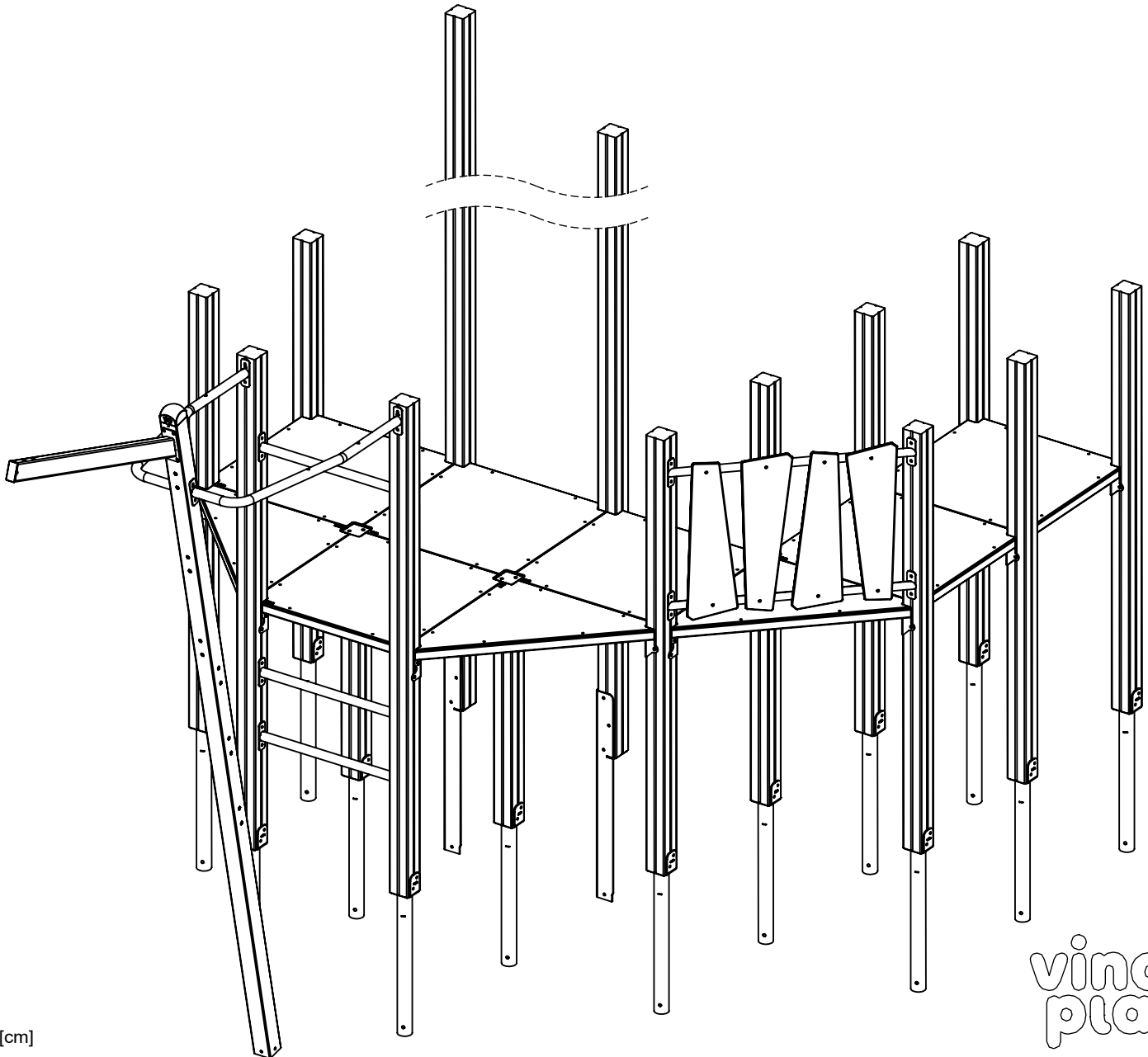
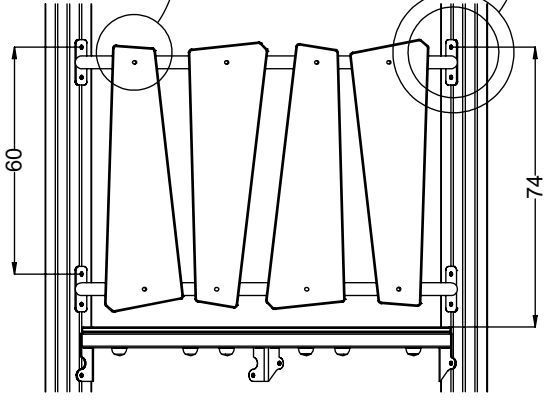
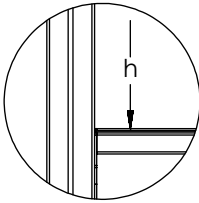
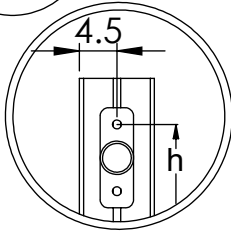
vinci
play



WD2

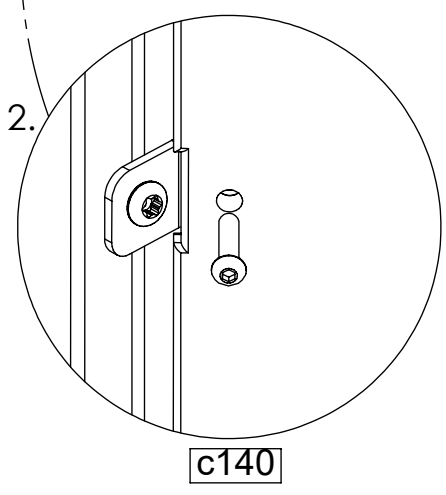
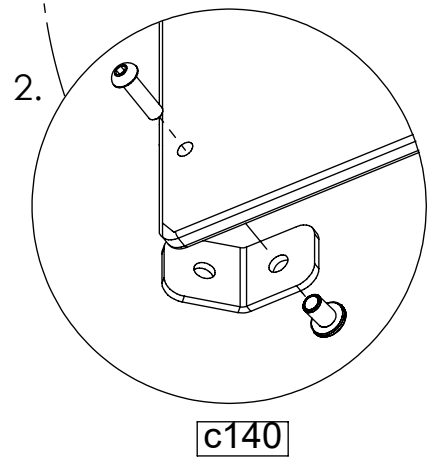
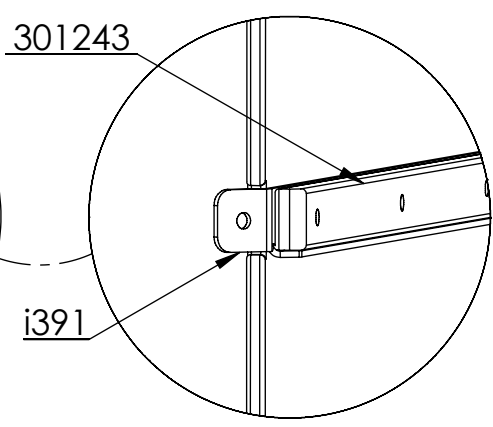
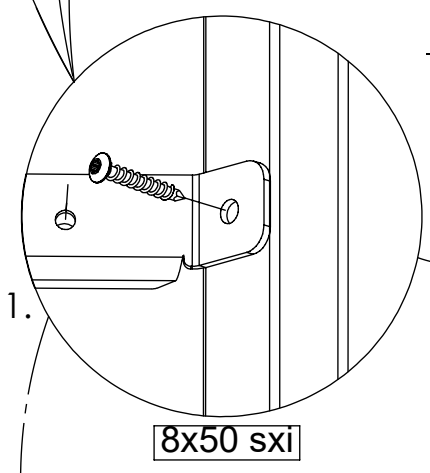
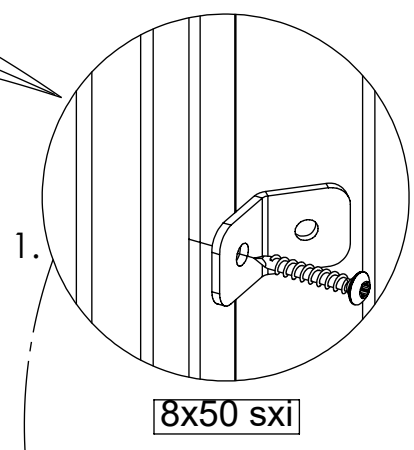
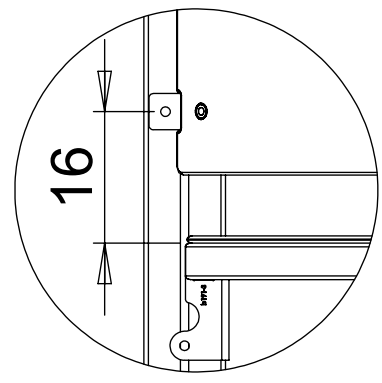
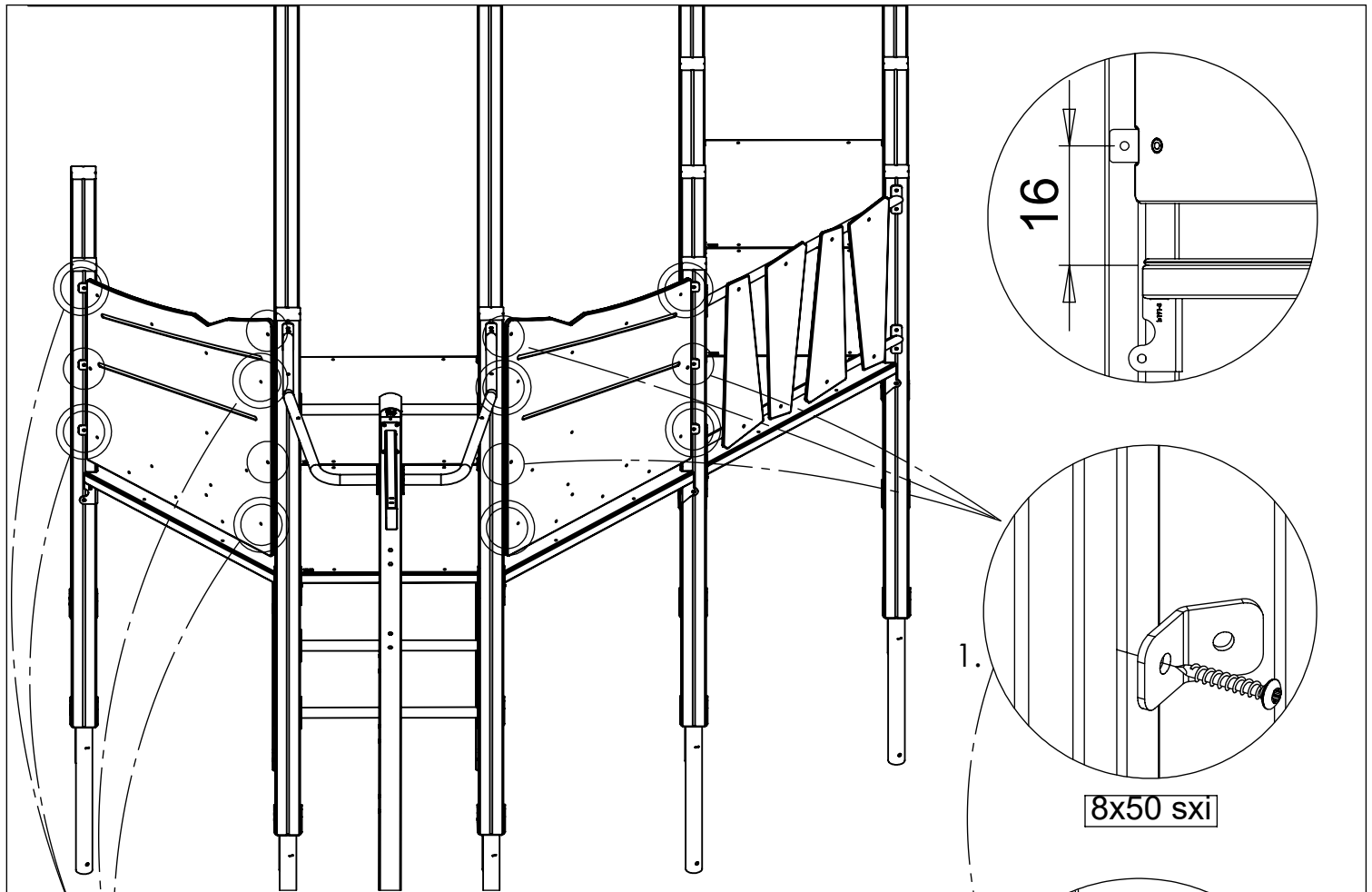


8x50 sxi



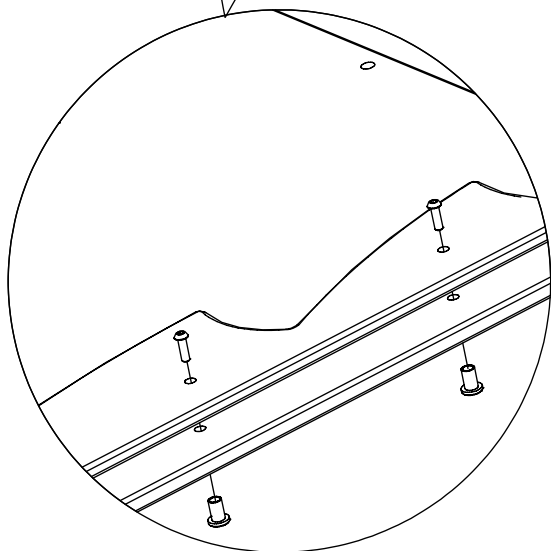
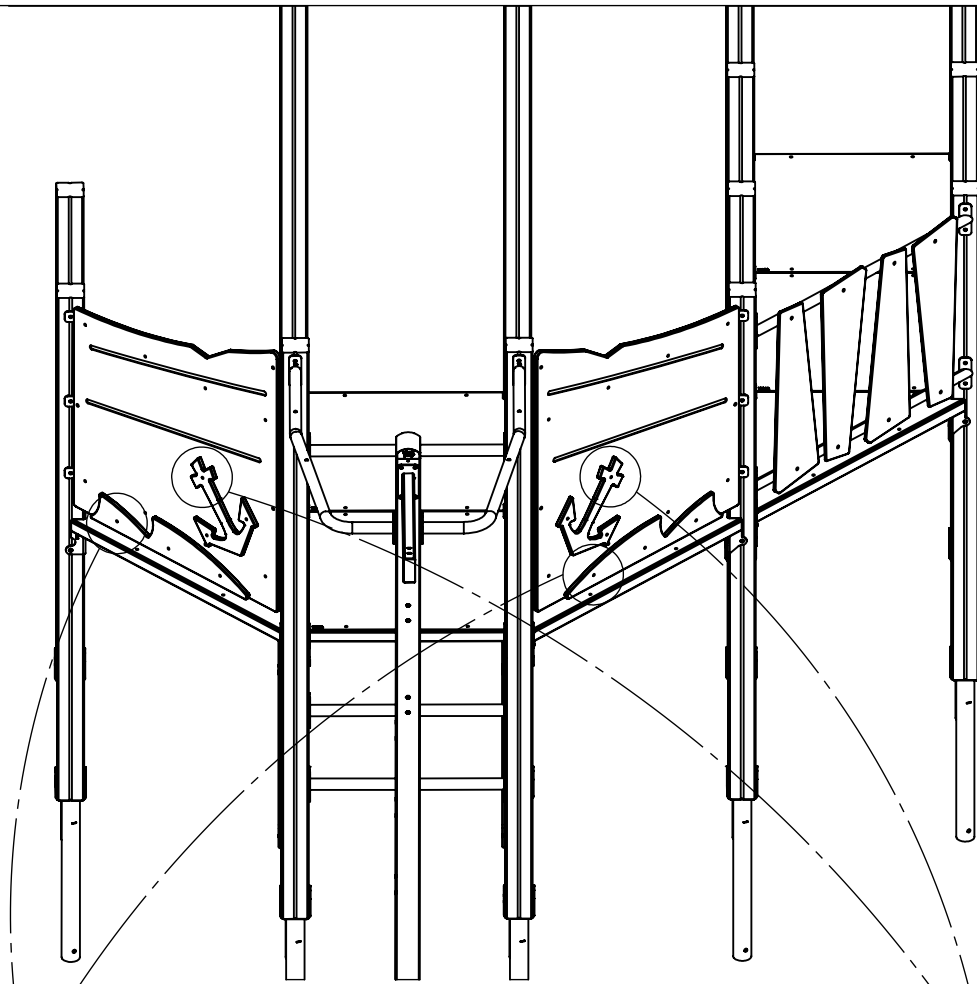
[cm]

vinci
play

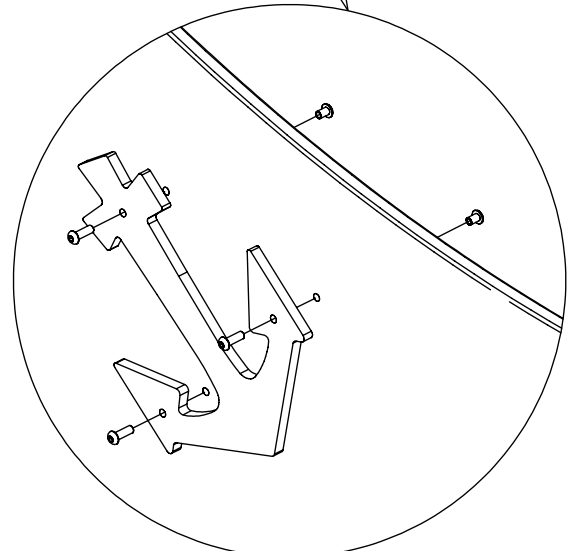


[cm]

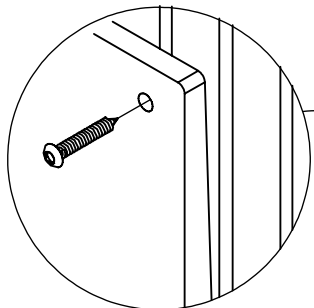
vinci
play



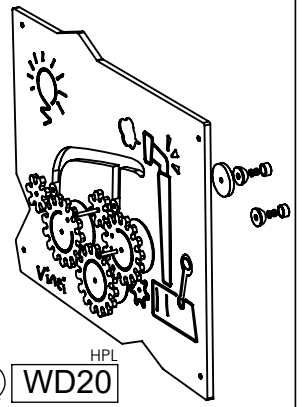
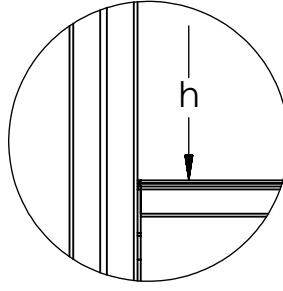
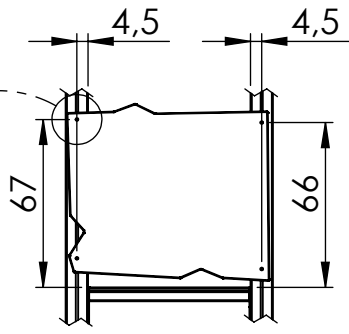
HDPE HPL
c080  **c074**



HDPE HPL
c080  **c074**

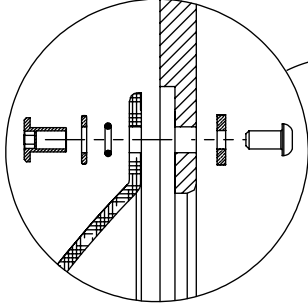


8x50 sxi



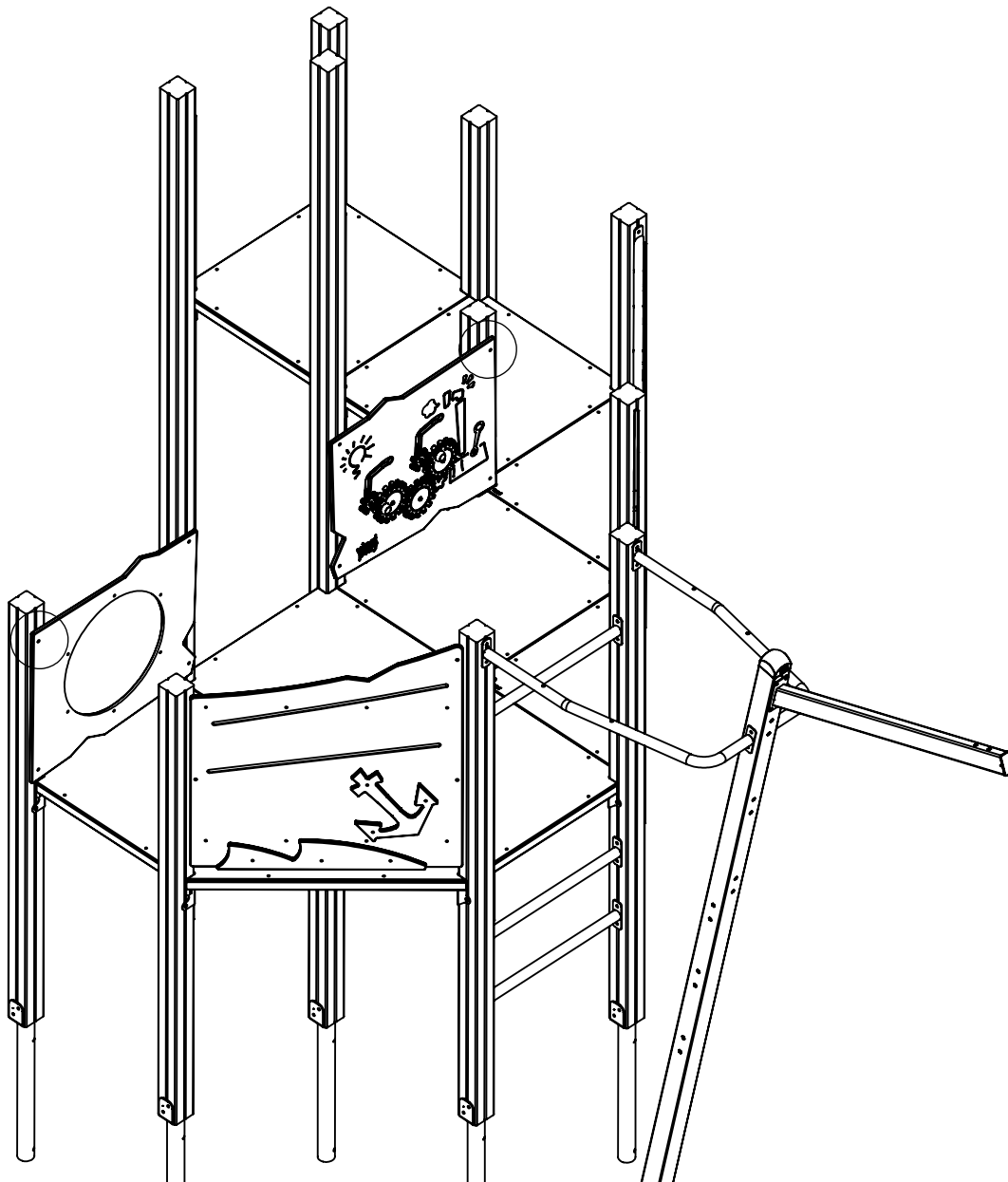
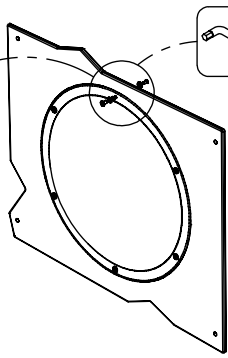
HDPE
WD19

HPL
WD20



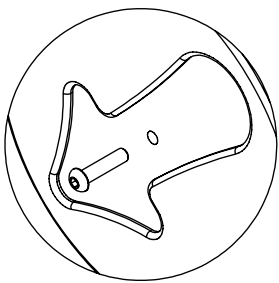
HDPE
CE9

HPL
CL9

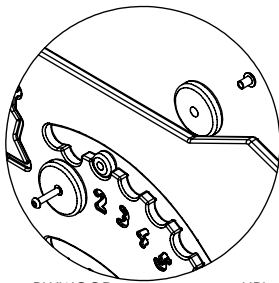


[cm]

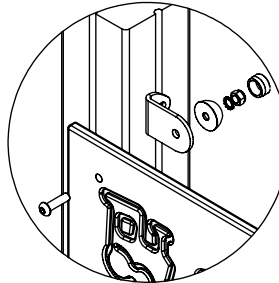
vinci
play



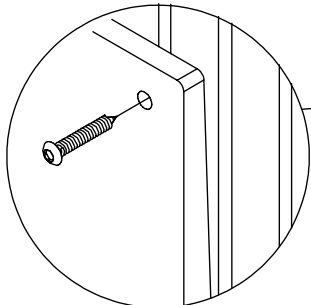
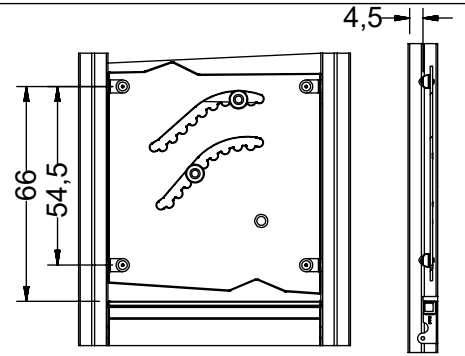
PLYWOOD
CE83 HPL
CL83



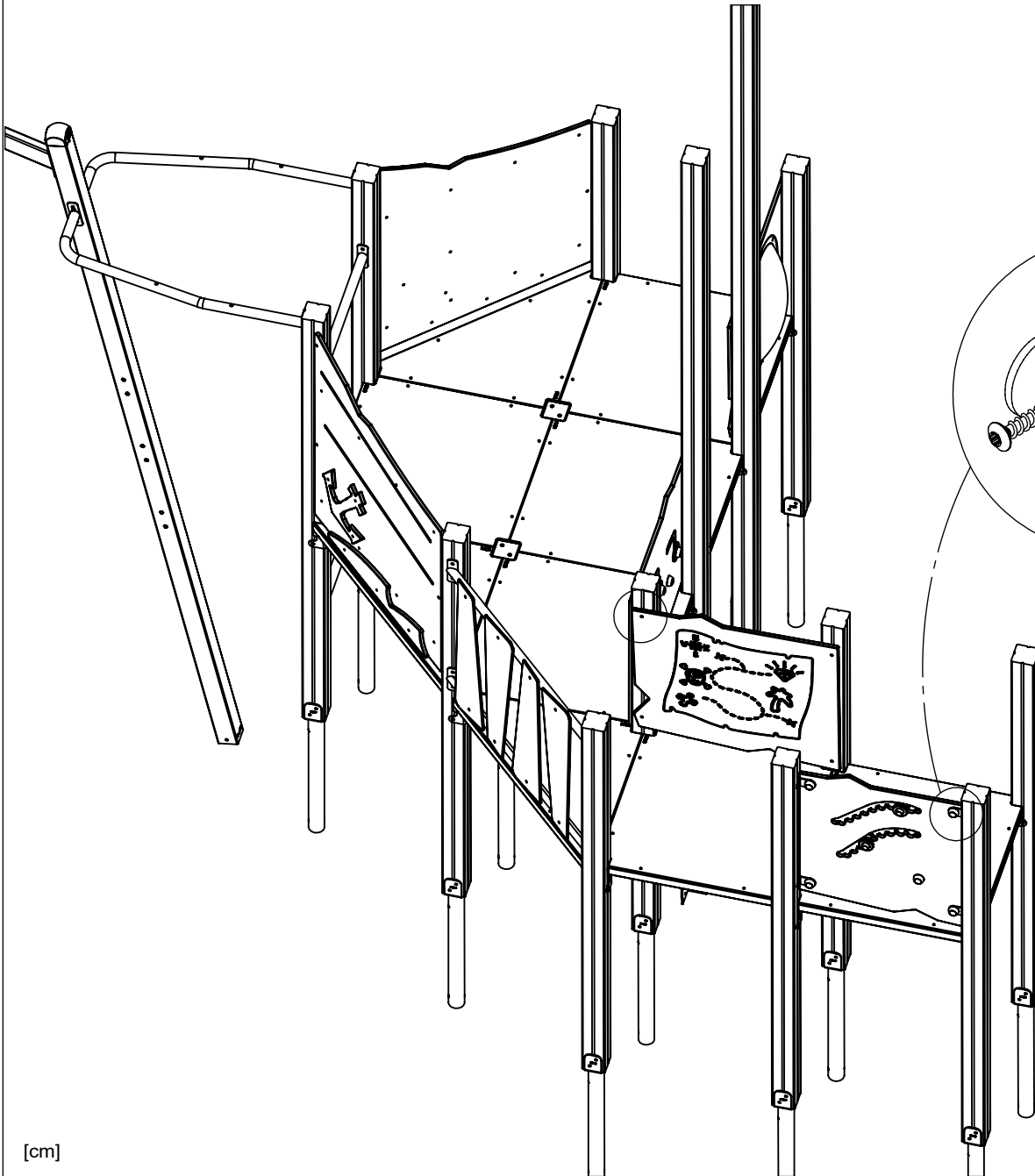
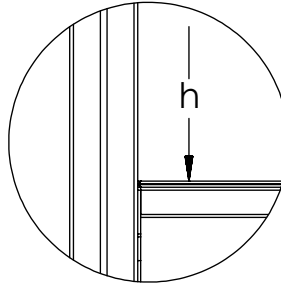
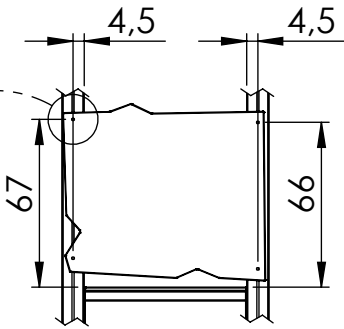
PLYWOOD
WE126 HPL
WL126



PLYWOOD
WE125 HPL
WL125



8x50 sxi

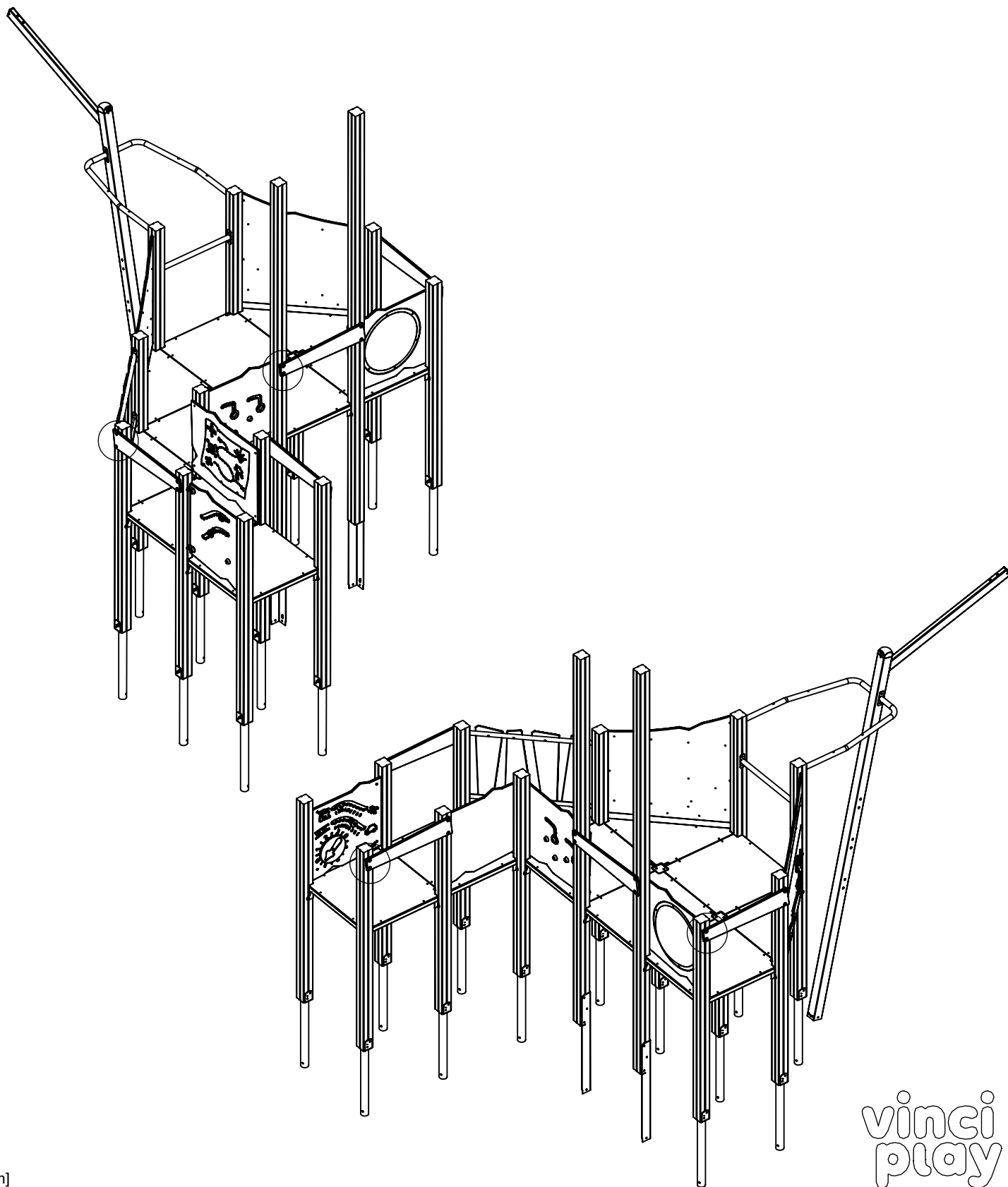
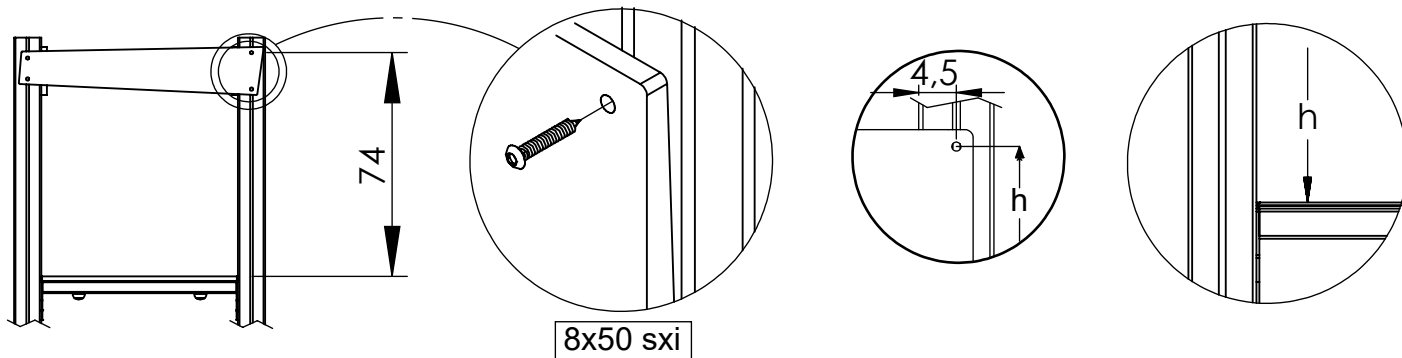


8x50 sxi

i128-1

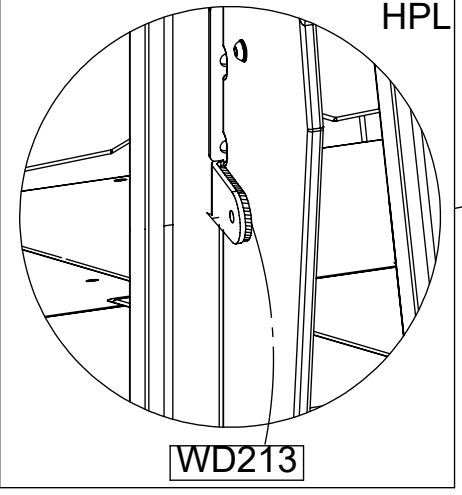
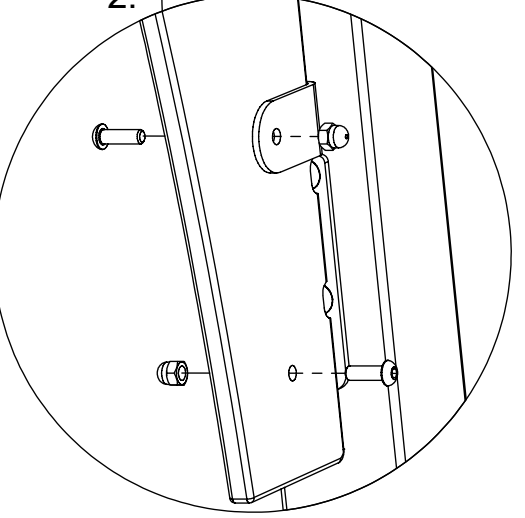
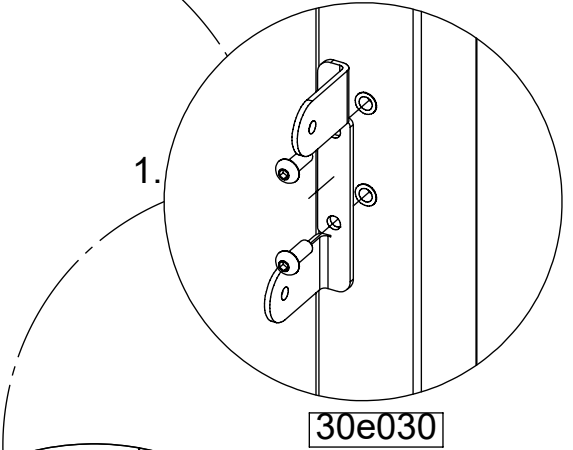
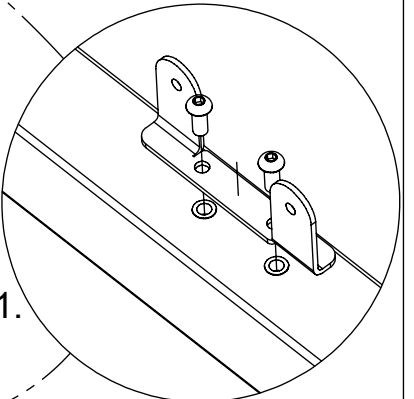
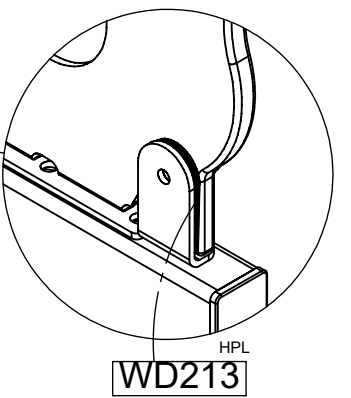
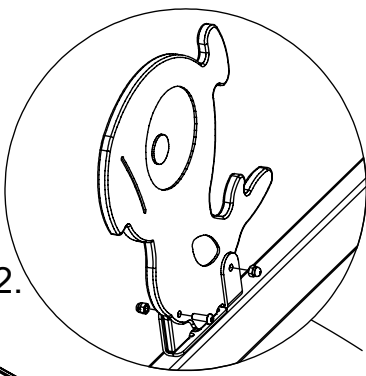
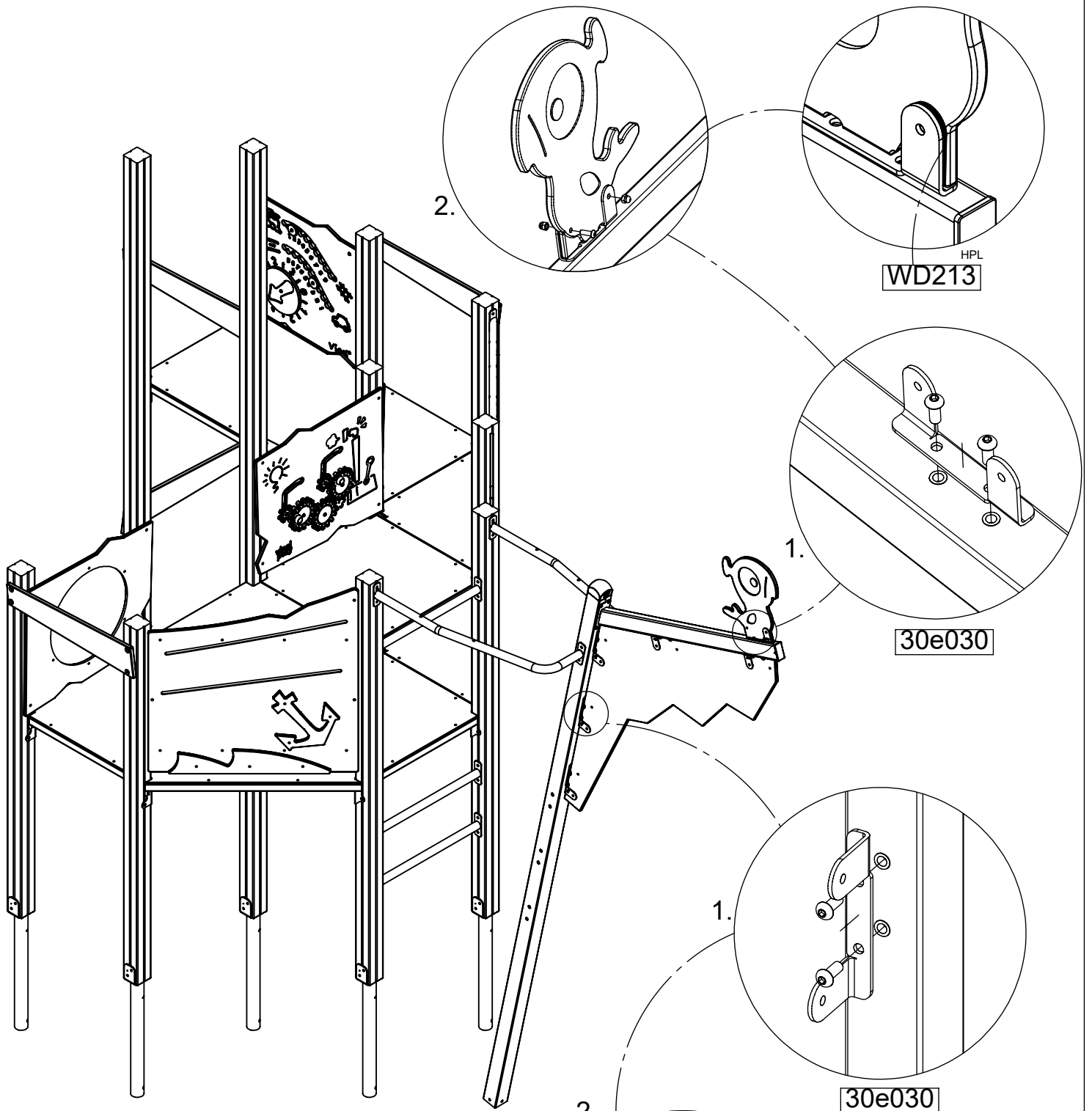
[cm]

vinci
play



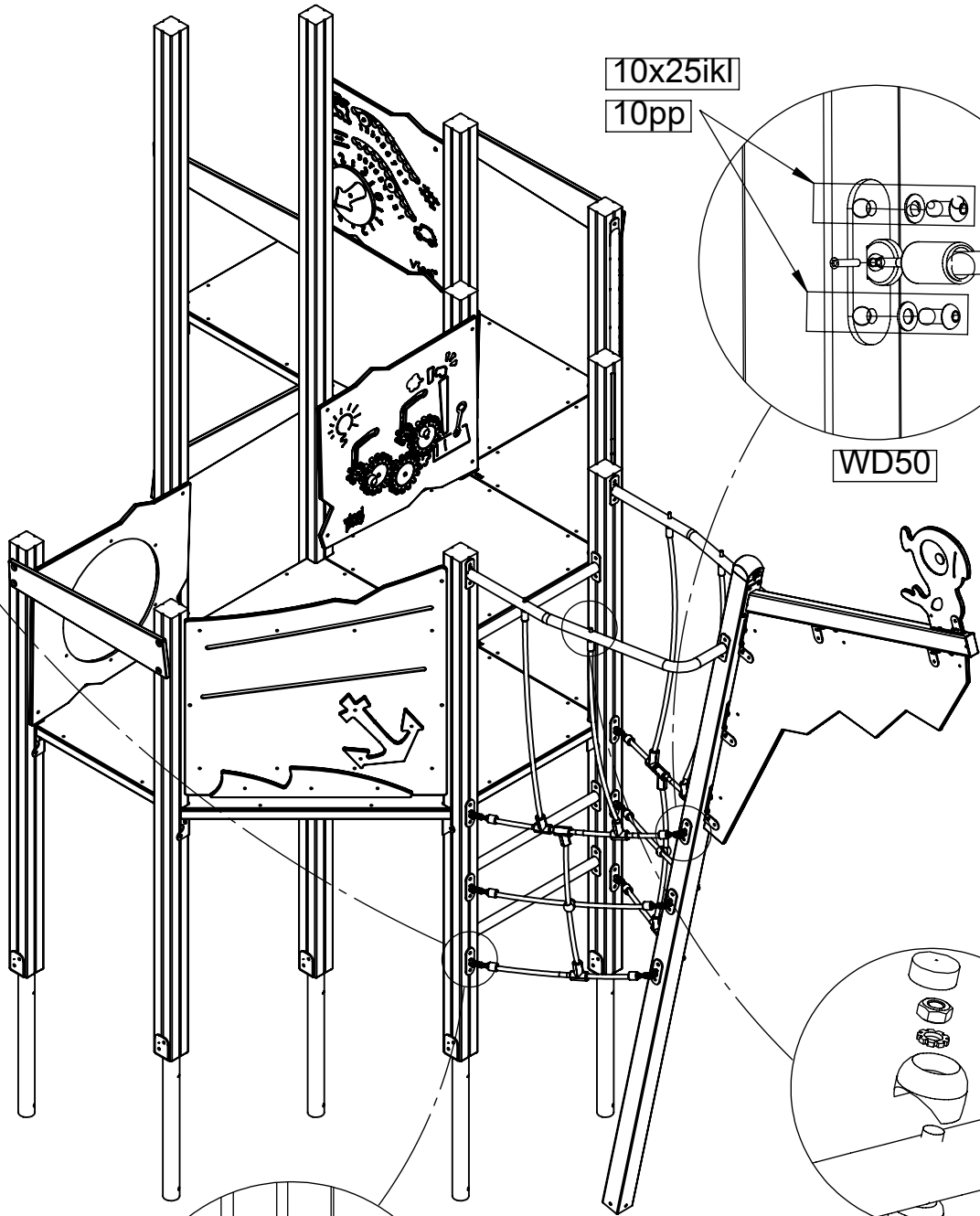
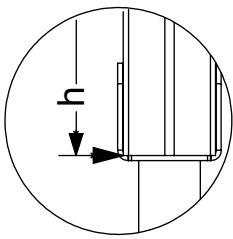
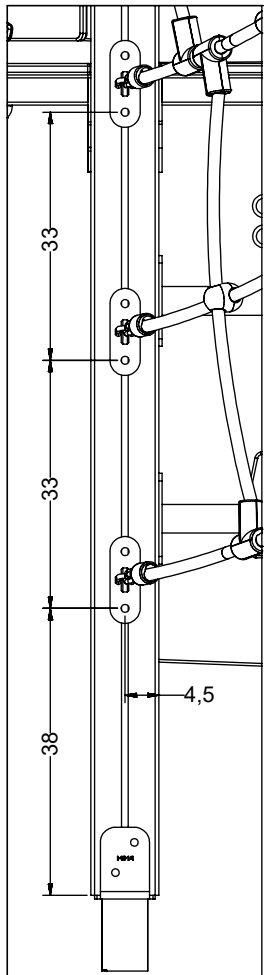
[cm]

vinci
play



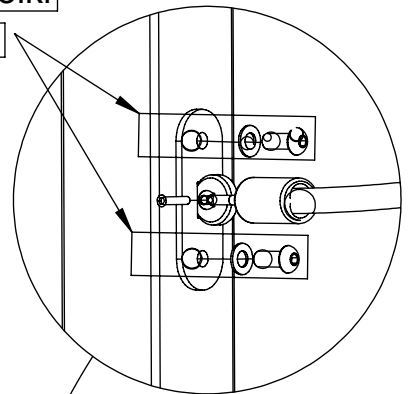
[cm]

vinci
play

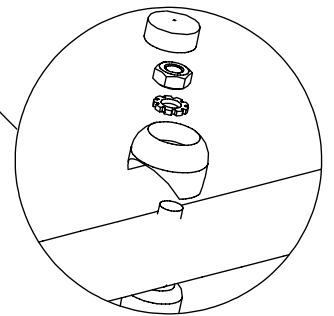


10x25ikl

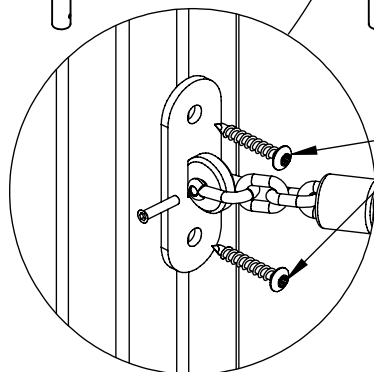
10pp



WD50



WD14-4

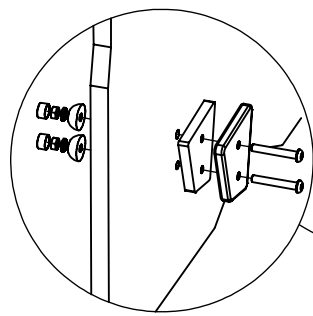


8x50 sxl

WD50

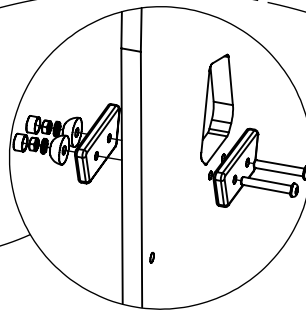
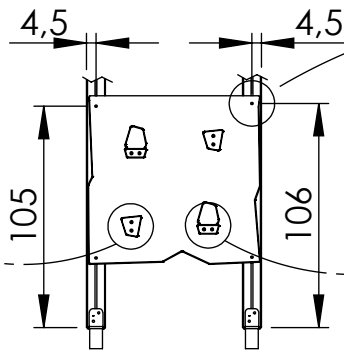
[cm]

vinci
play



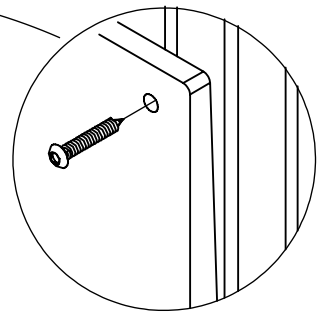
PLYWOOD
WD15

HPL
WD16

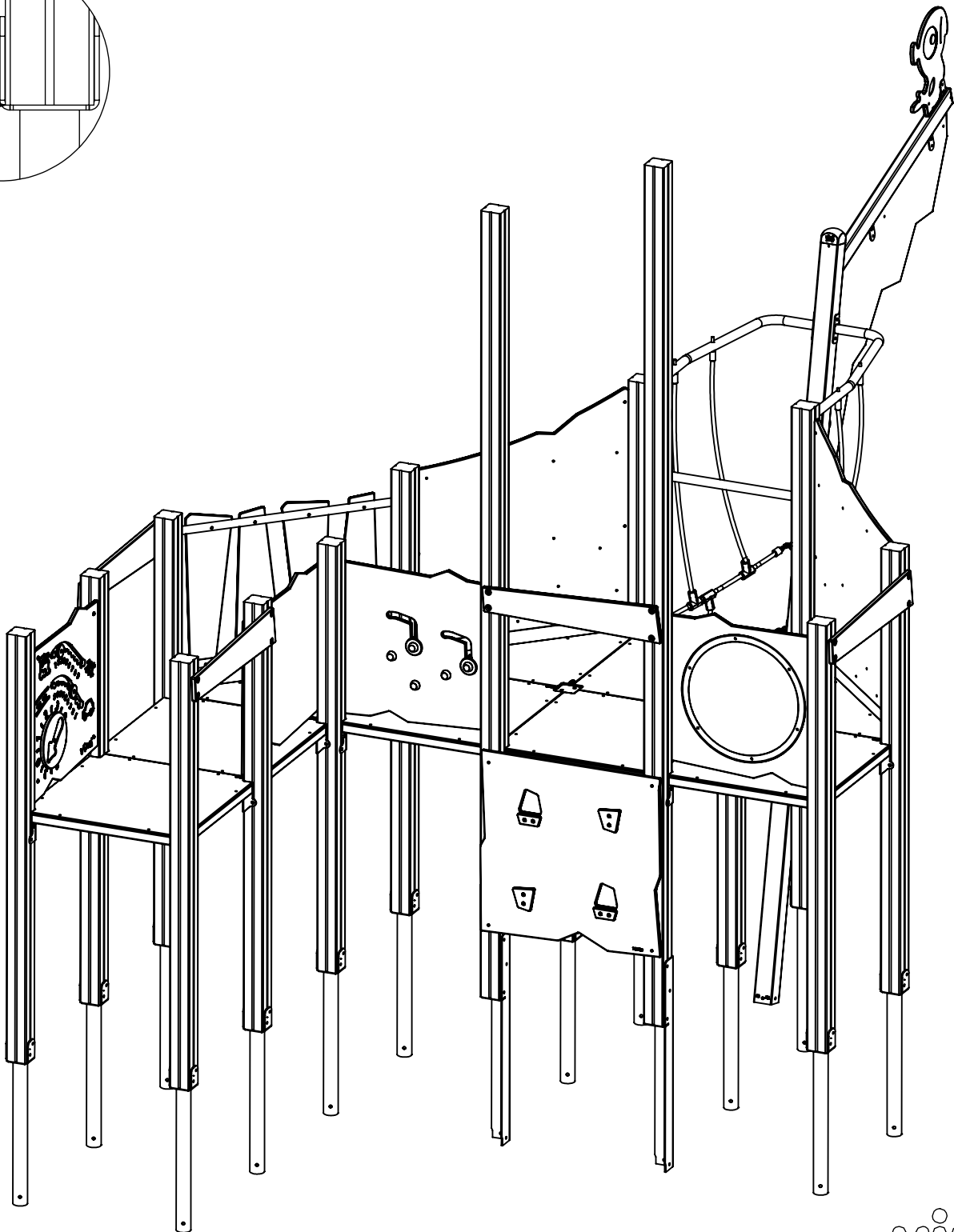
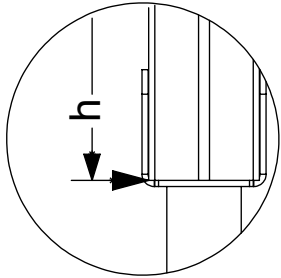


PLYWOOD
WD35

HPL
WD36

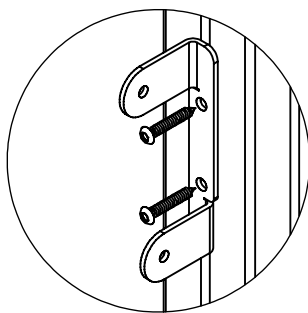
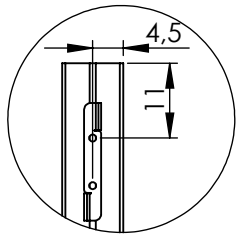


8x50 sxi

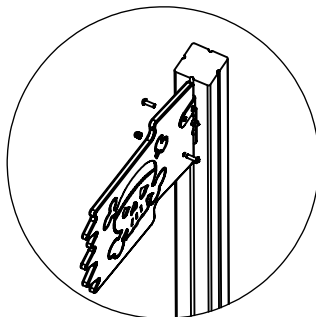


[cm]

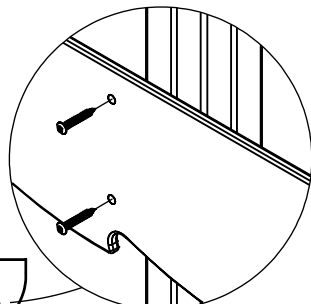
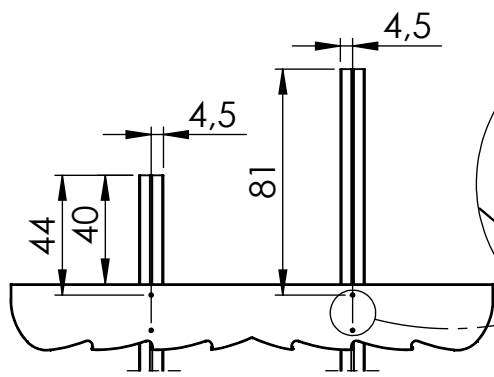
vinci
play



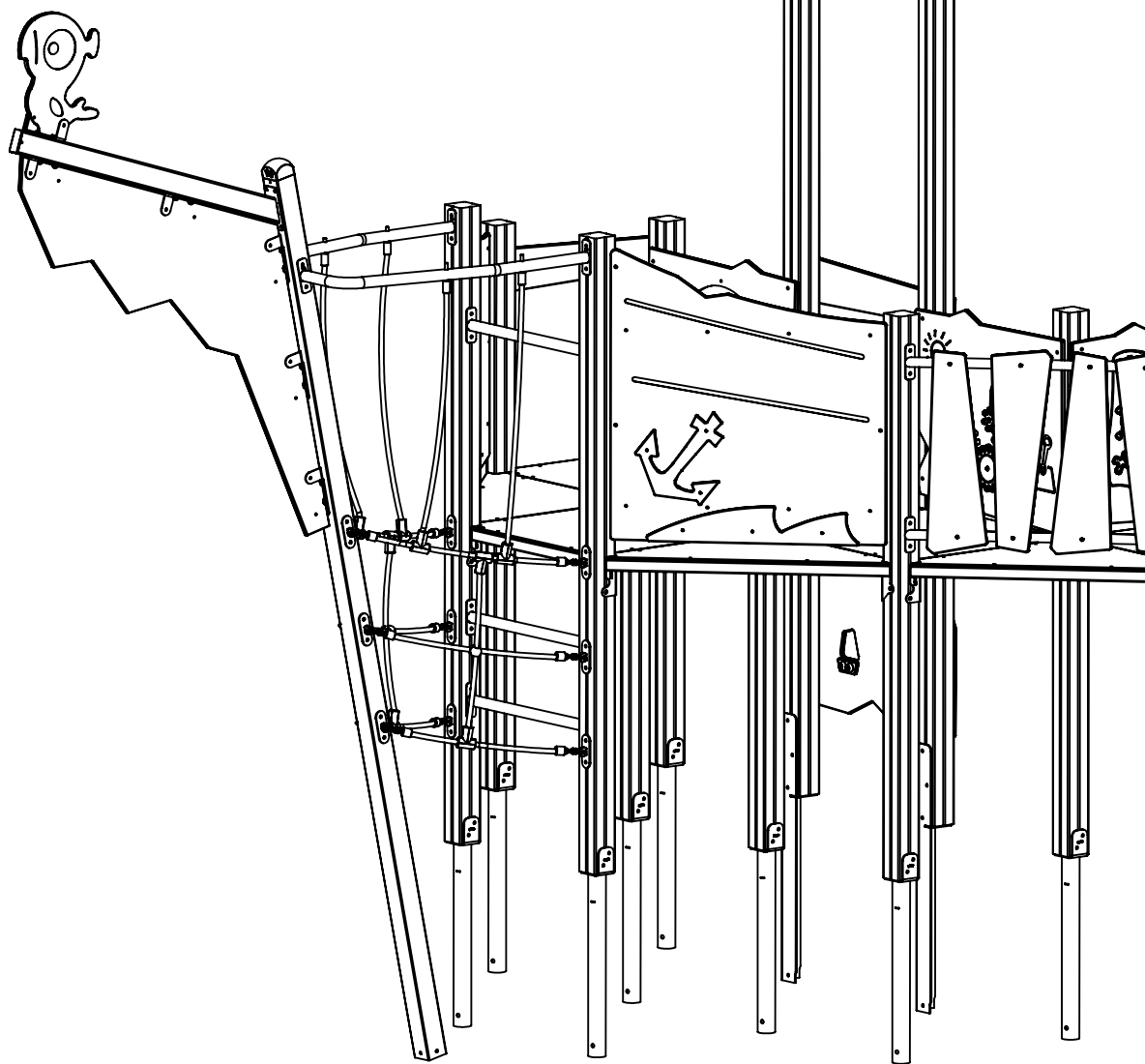
8x50 sxi



i030^{HPL}
WD213

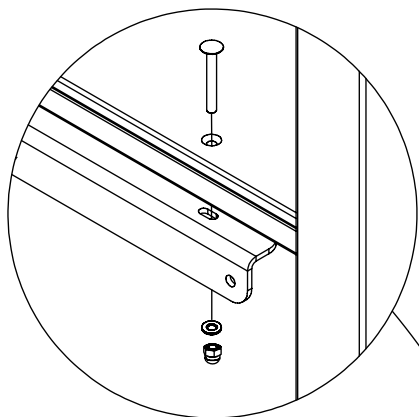


8x50 sxi



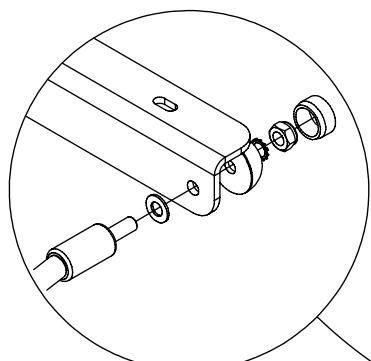
[cm]

vinci
play

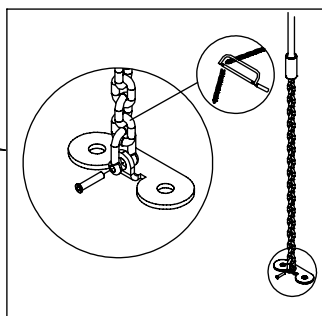
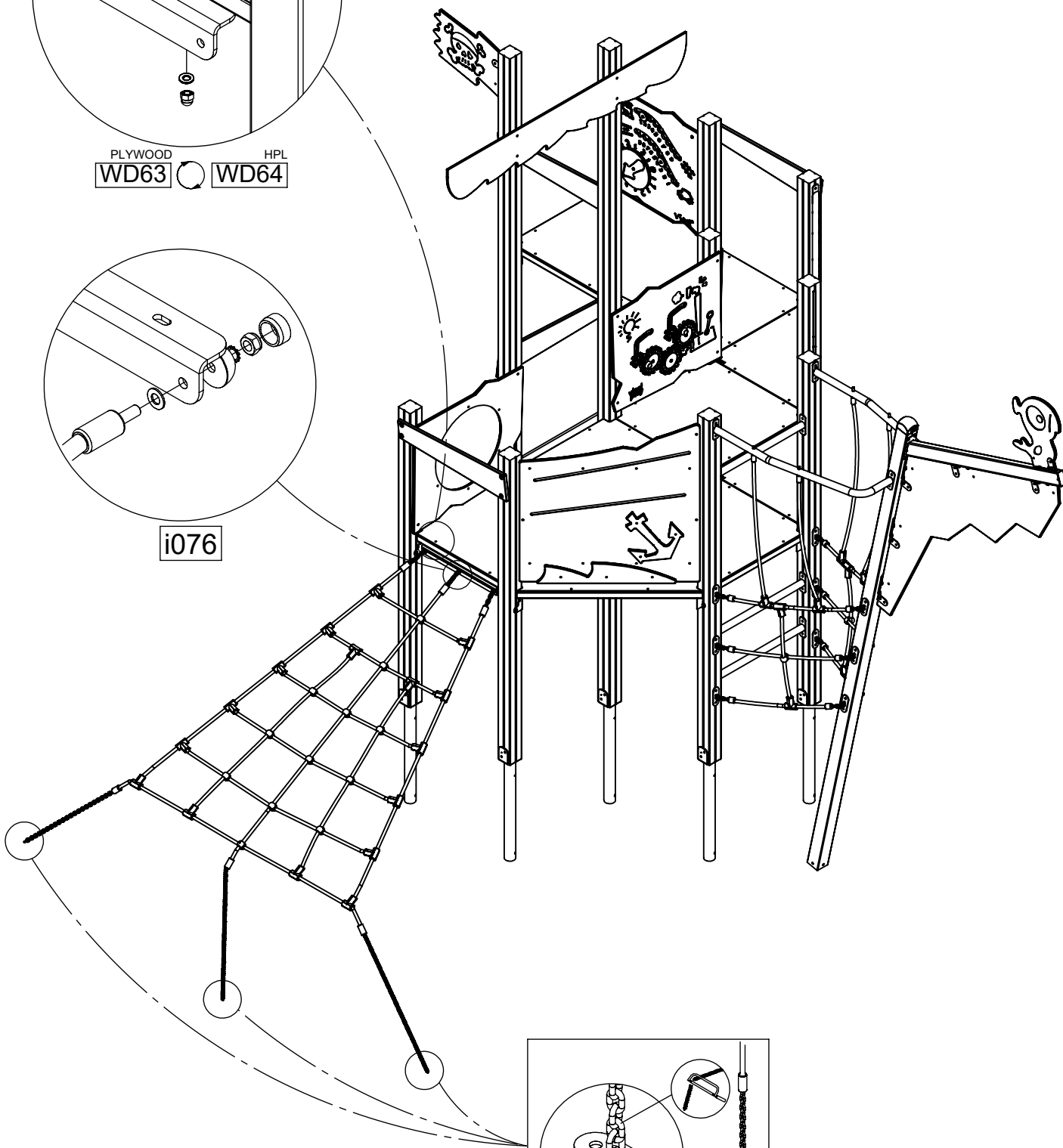


PLYWOOD
WD63

HPL
WD64



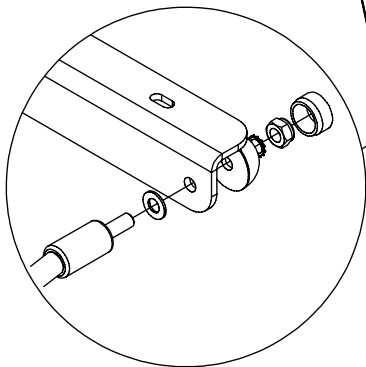
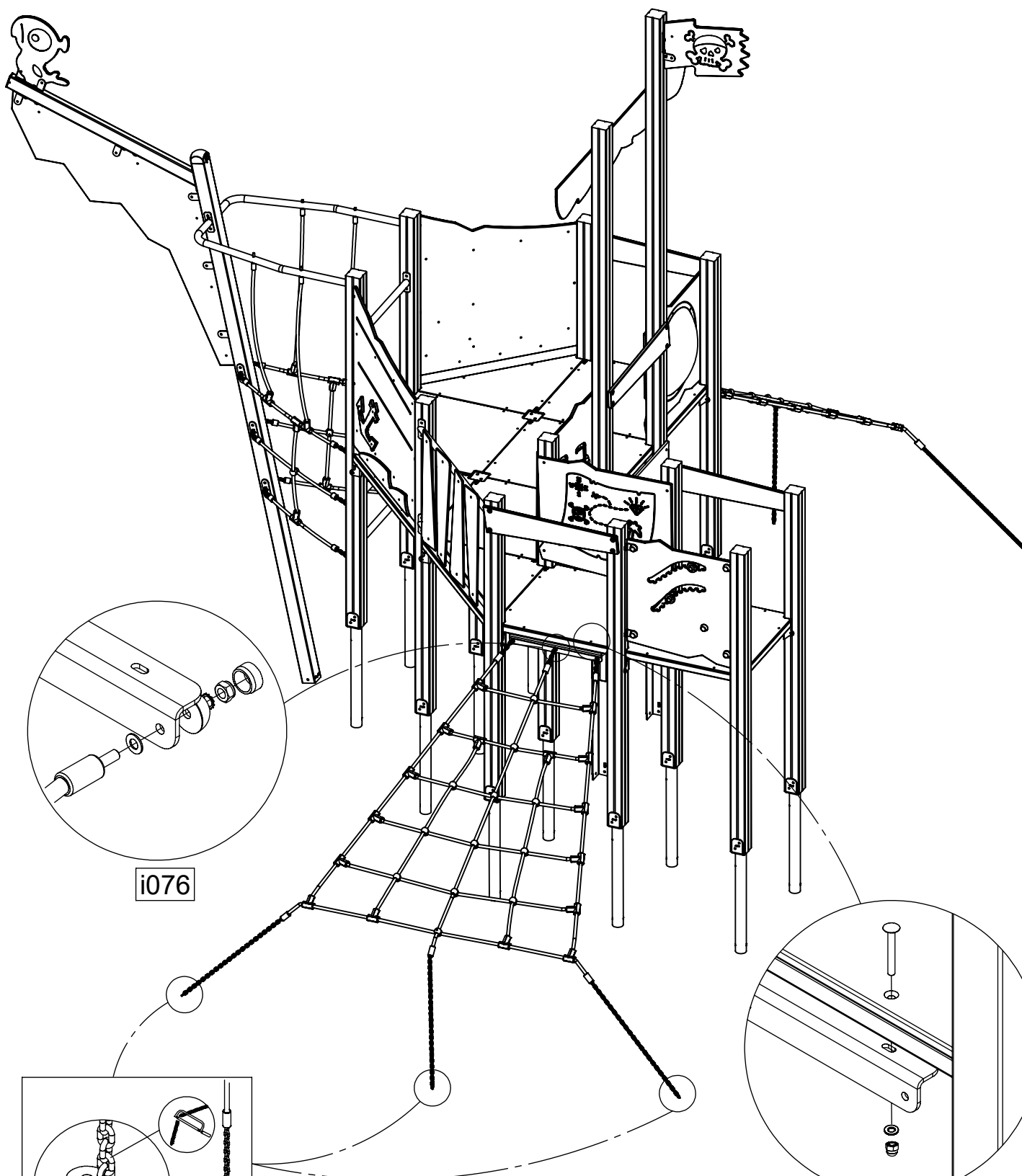
i076



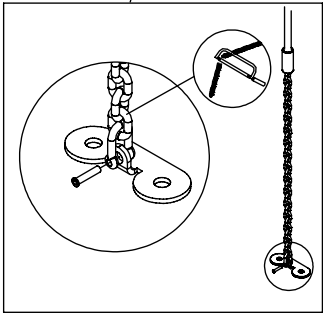
WD52

[cm]

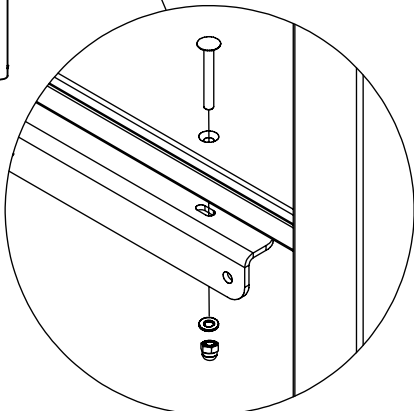
vinci
play



i076



WD52

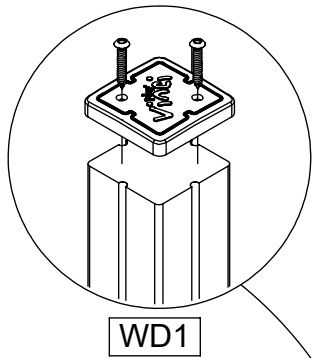


PLYWOOD
WD63

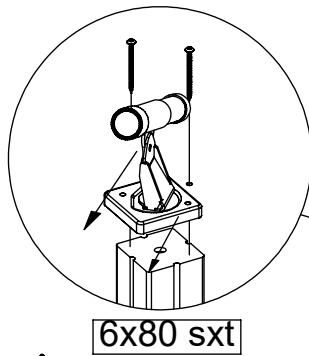
HPL
WD64

[cm]

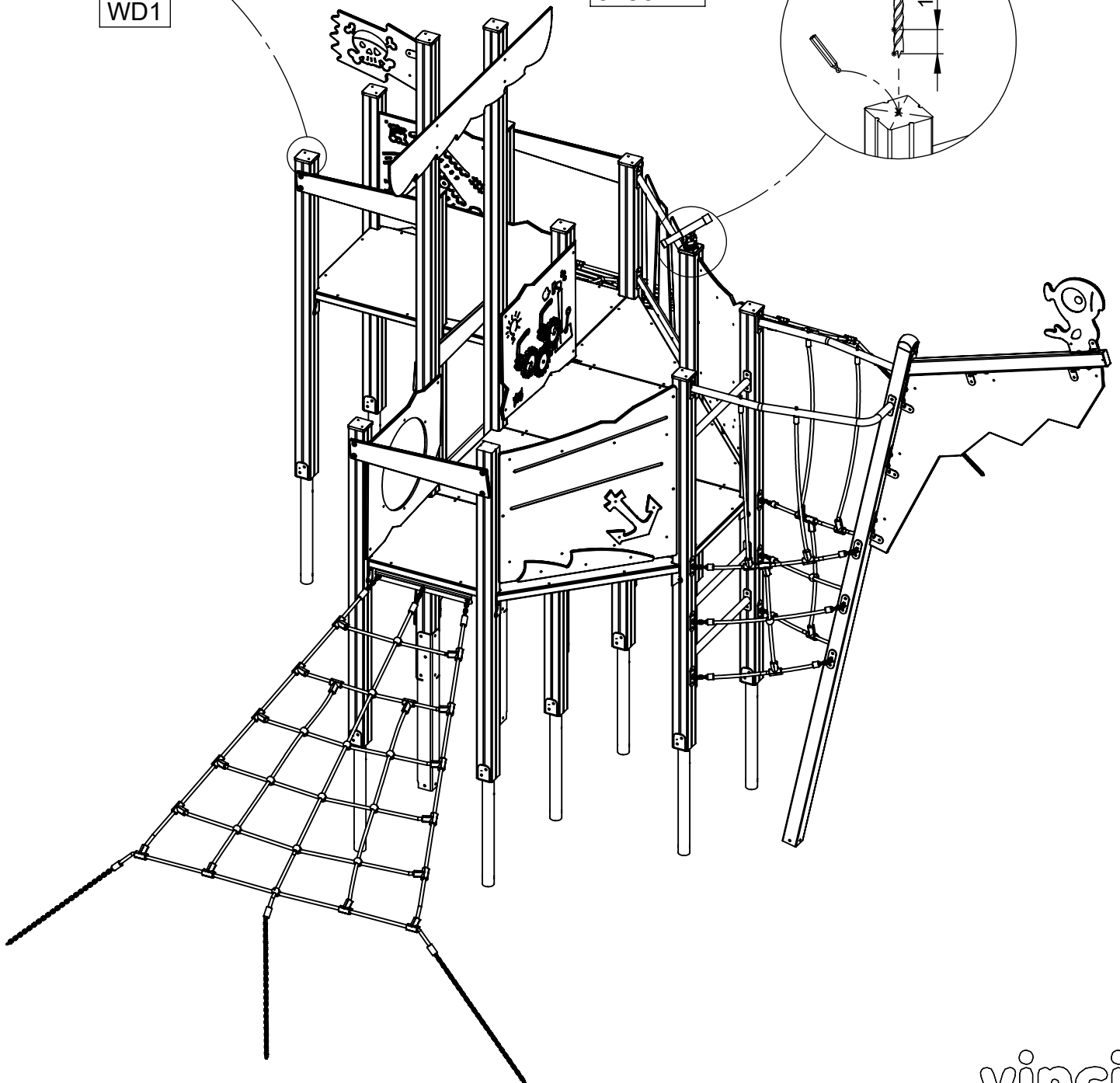
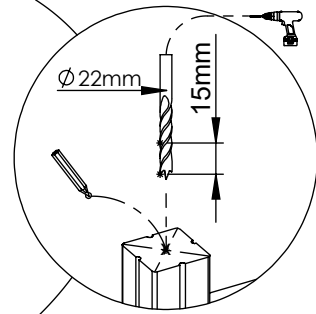
vinci
play



WD1

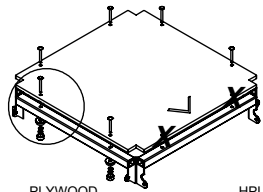
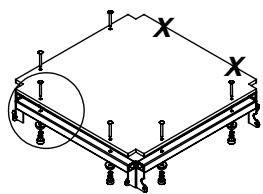
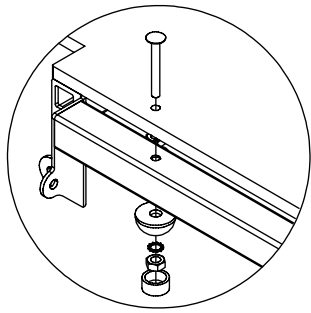


6x80 sxt

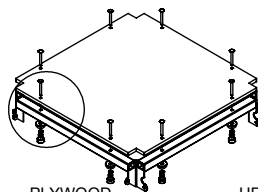


[cm]

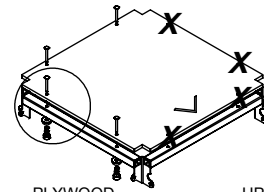
vinci
play



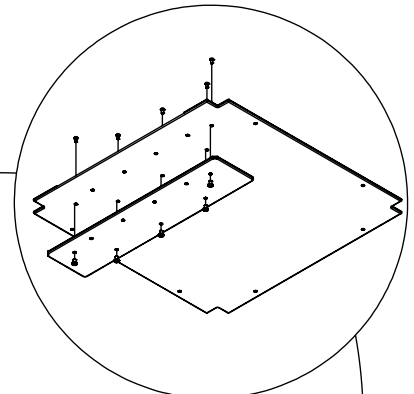
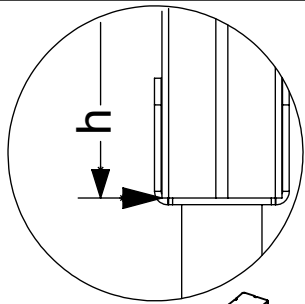
PLYWOOD HPL
WD74 WD75



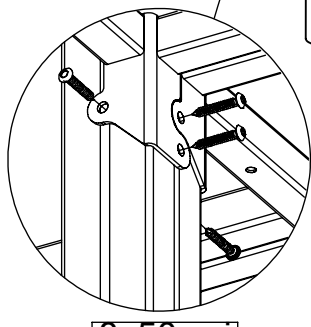
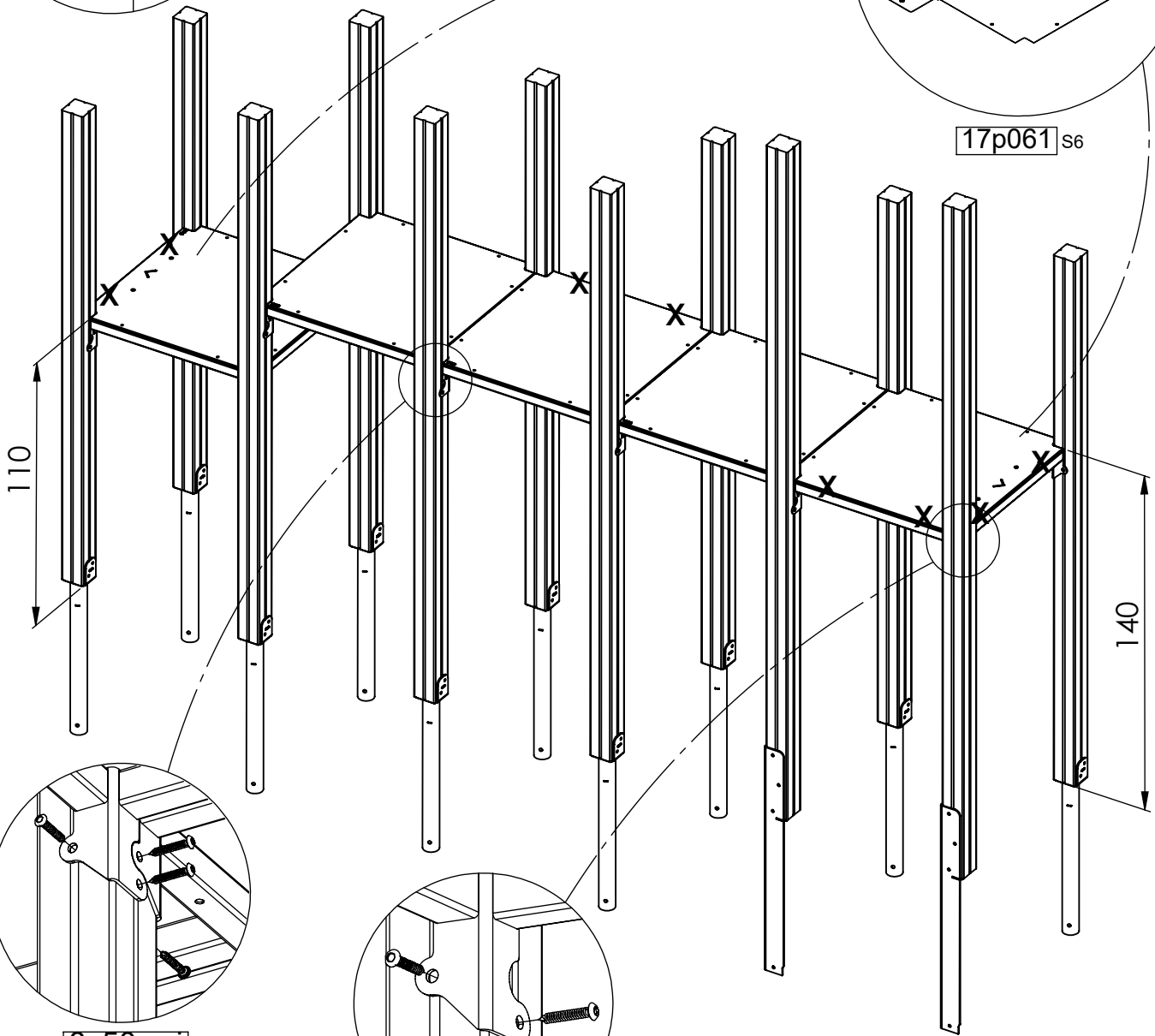
PLYWOOD HPL
WD76 WD77



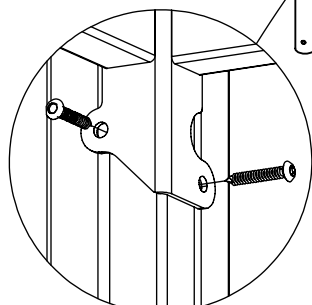
PLYWOOD HPL
WD72 WD73



17p061 s6



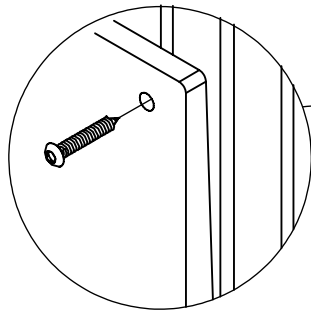
8x50 sxi



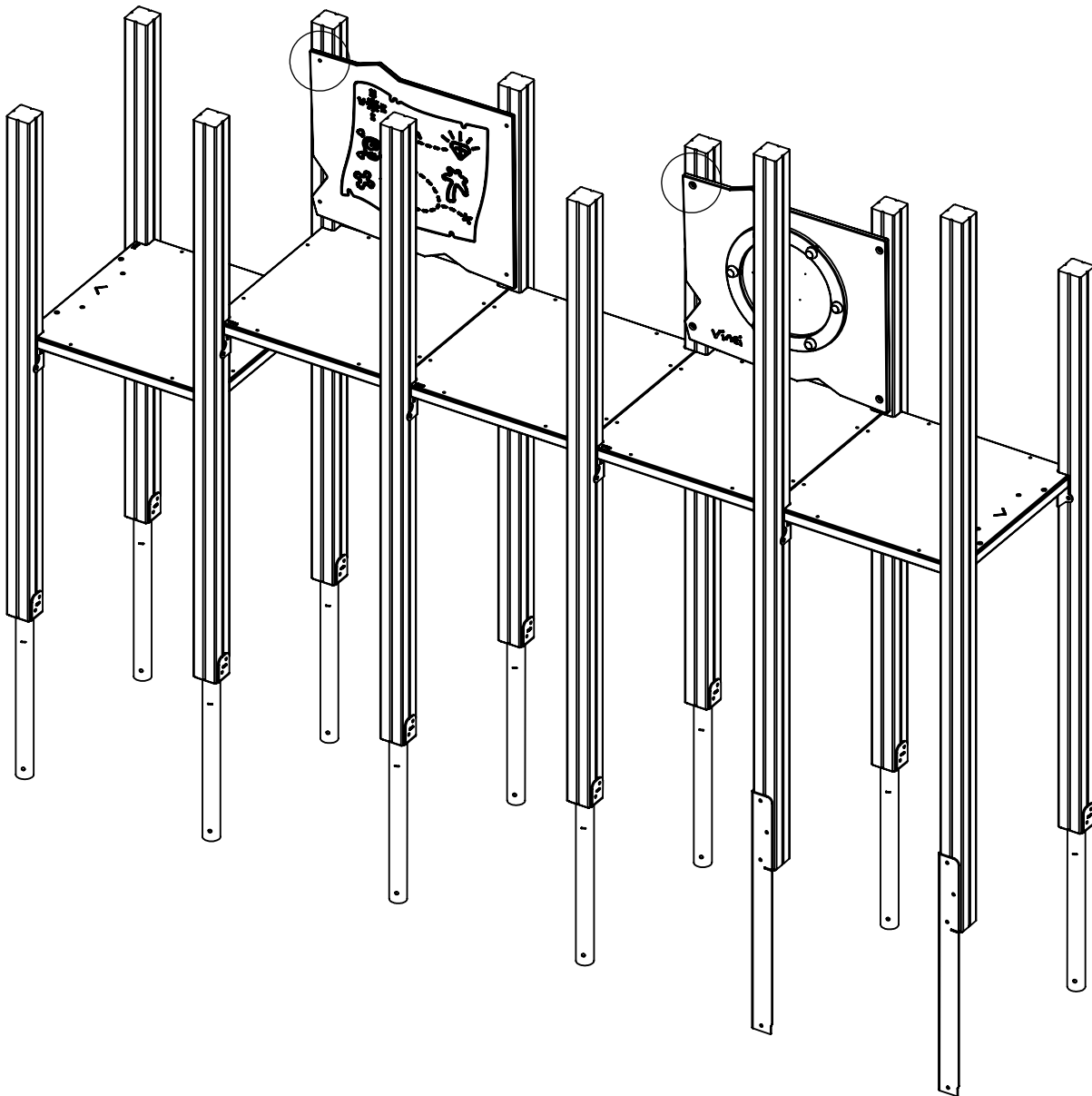
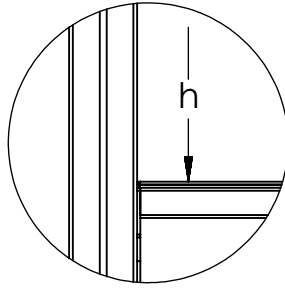
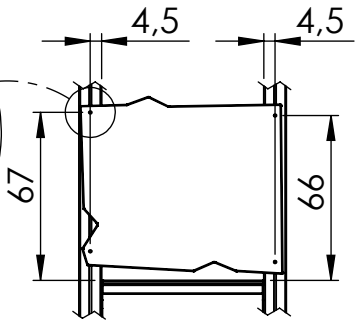
8x50 sxi

[cm]

vinci
play

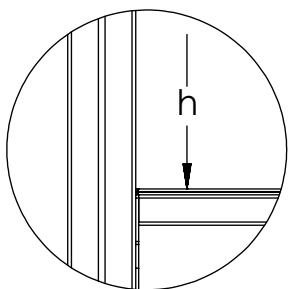
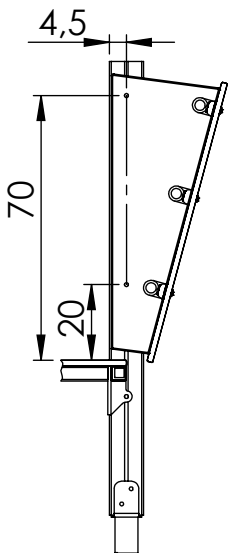
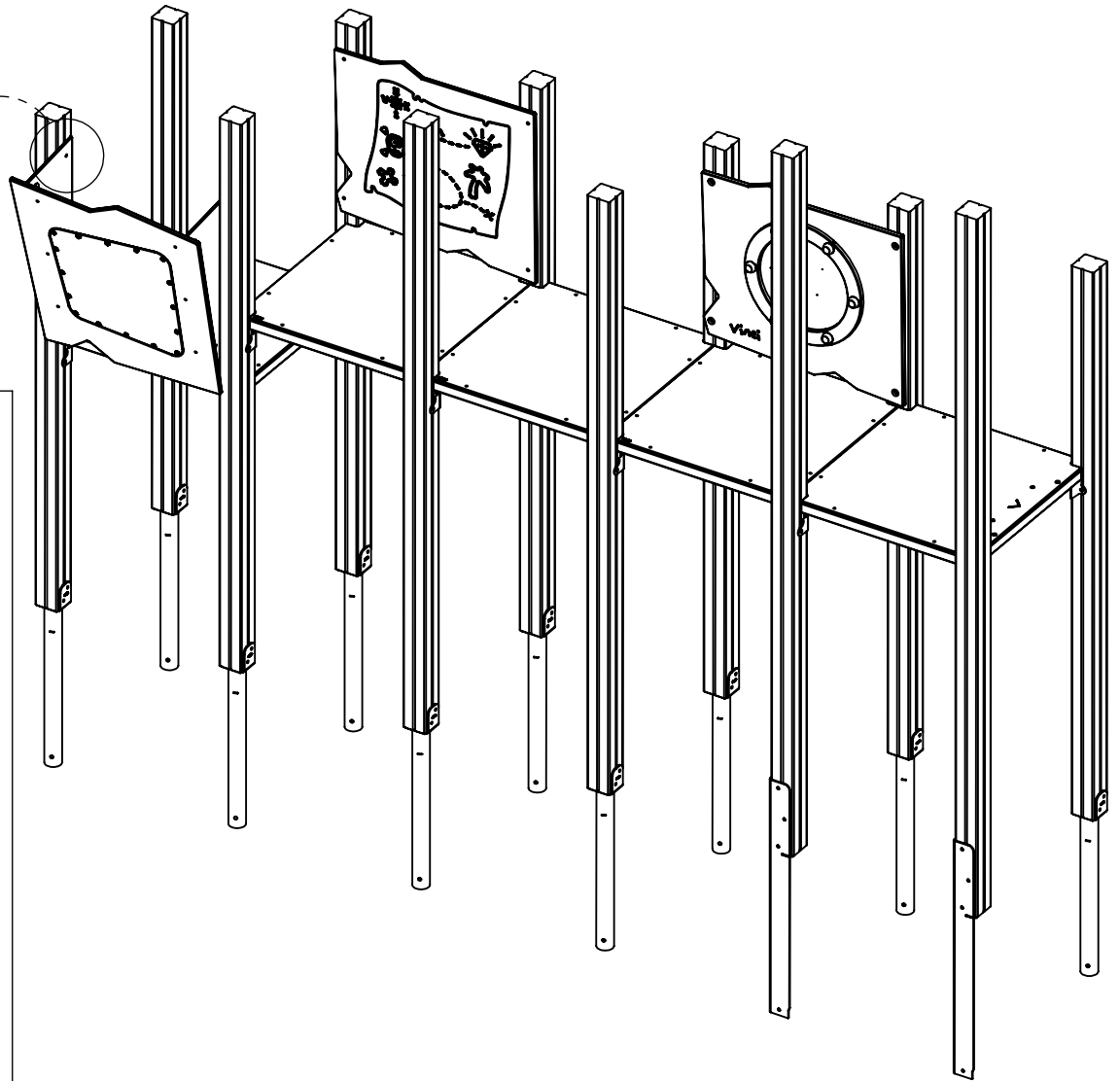
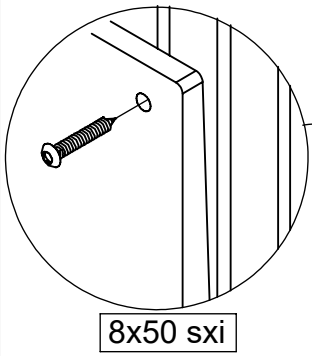
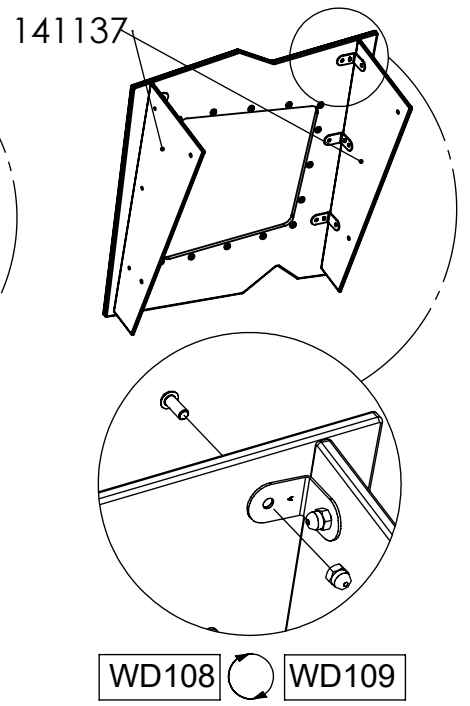
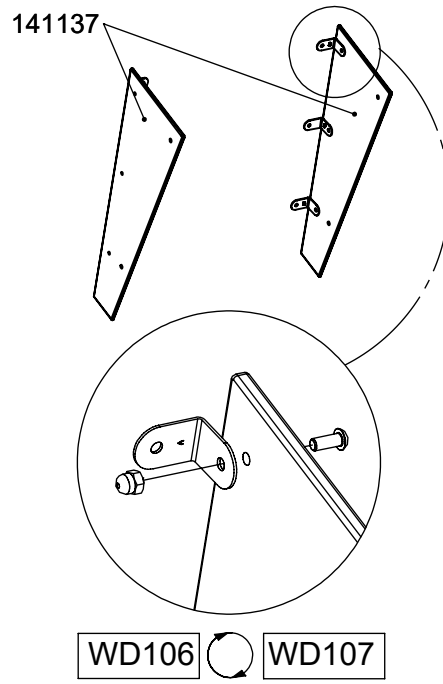
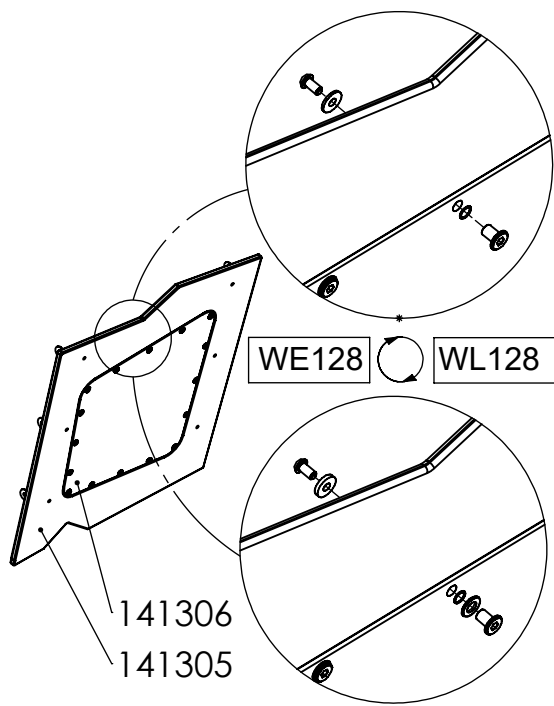


8x50 sxi



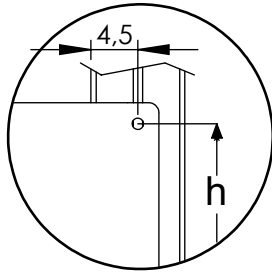
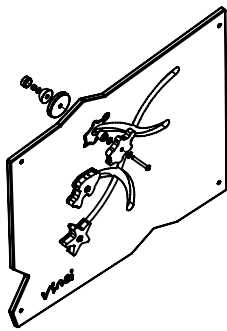
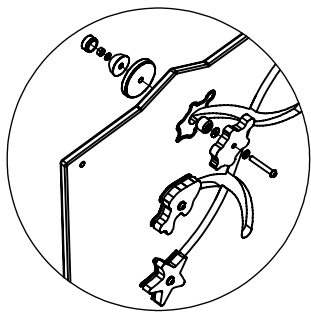
[cm]

vinci
play



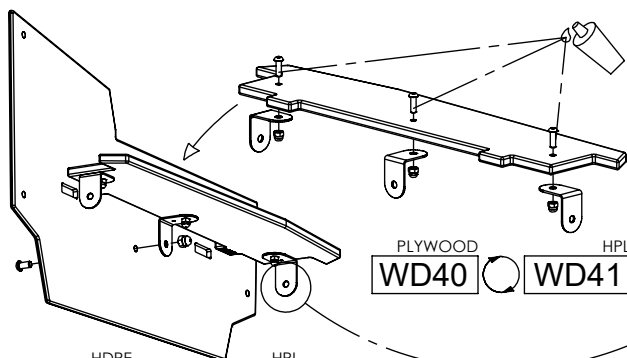
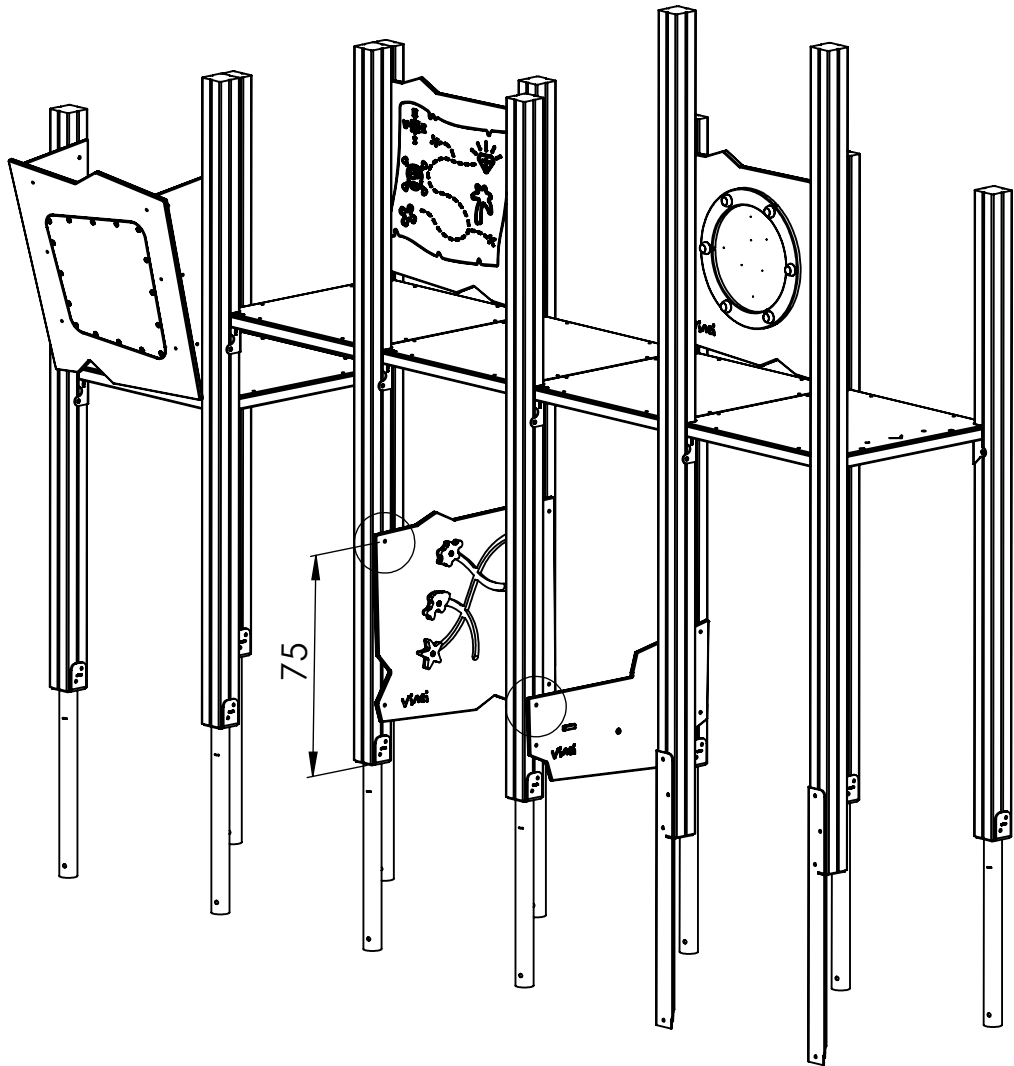
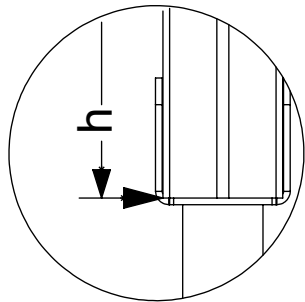
[cm]

vinci
play



HDPE
CE8

HPL
CL8

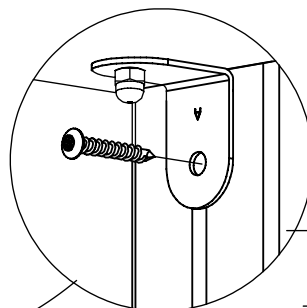


HDPE
WD112

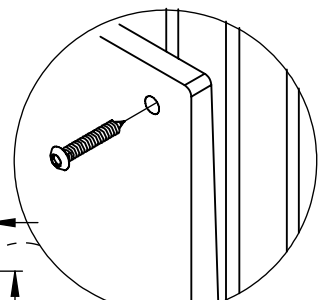
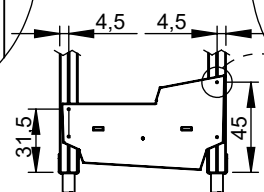
HPL
WD137

PLYWOOD
WD40

HPL
WD41



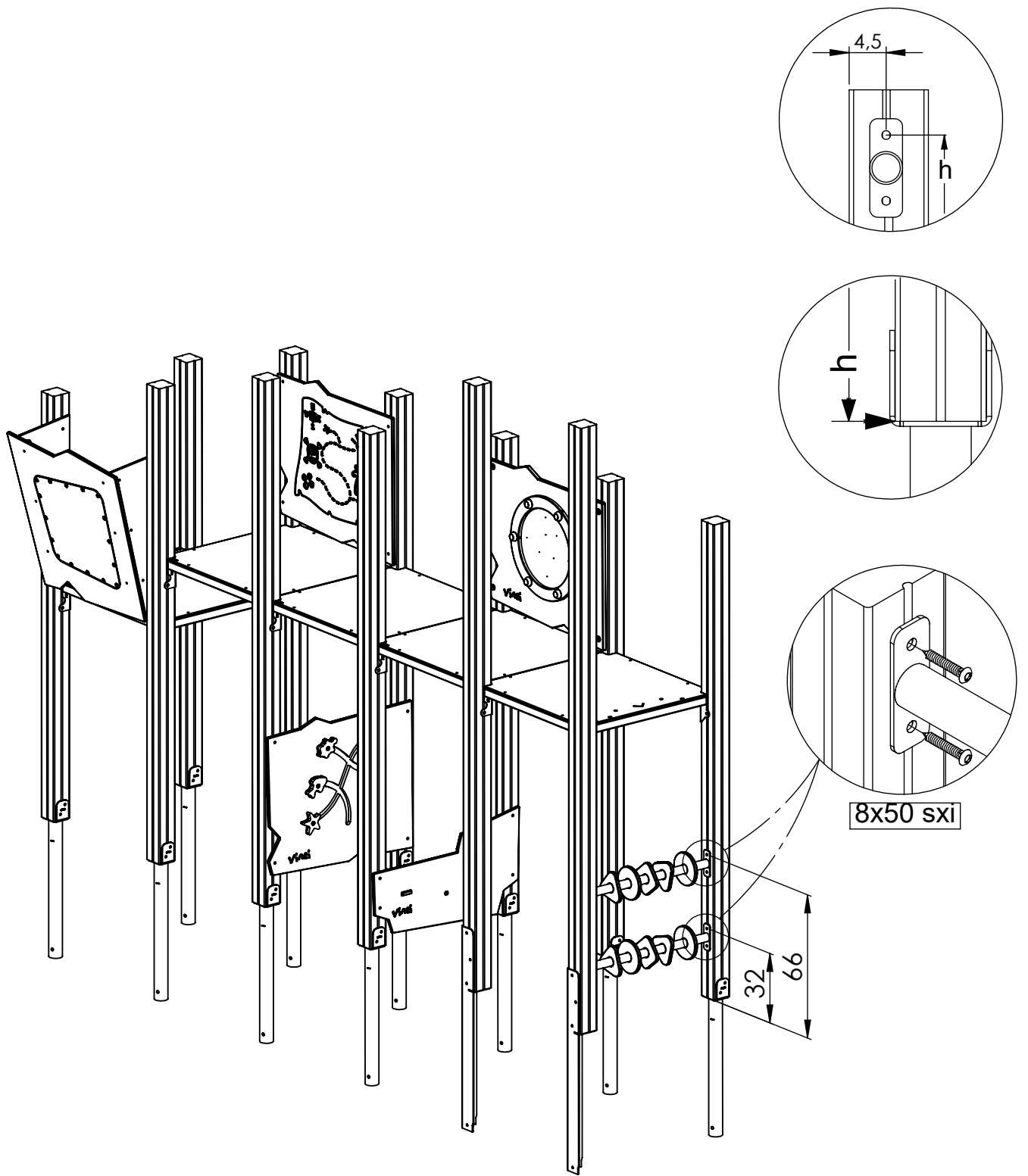
8x50 sxi



8x50 sxi

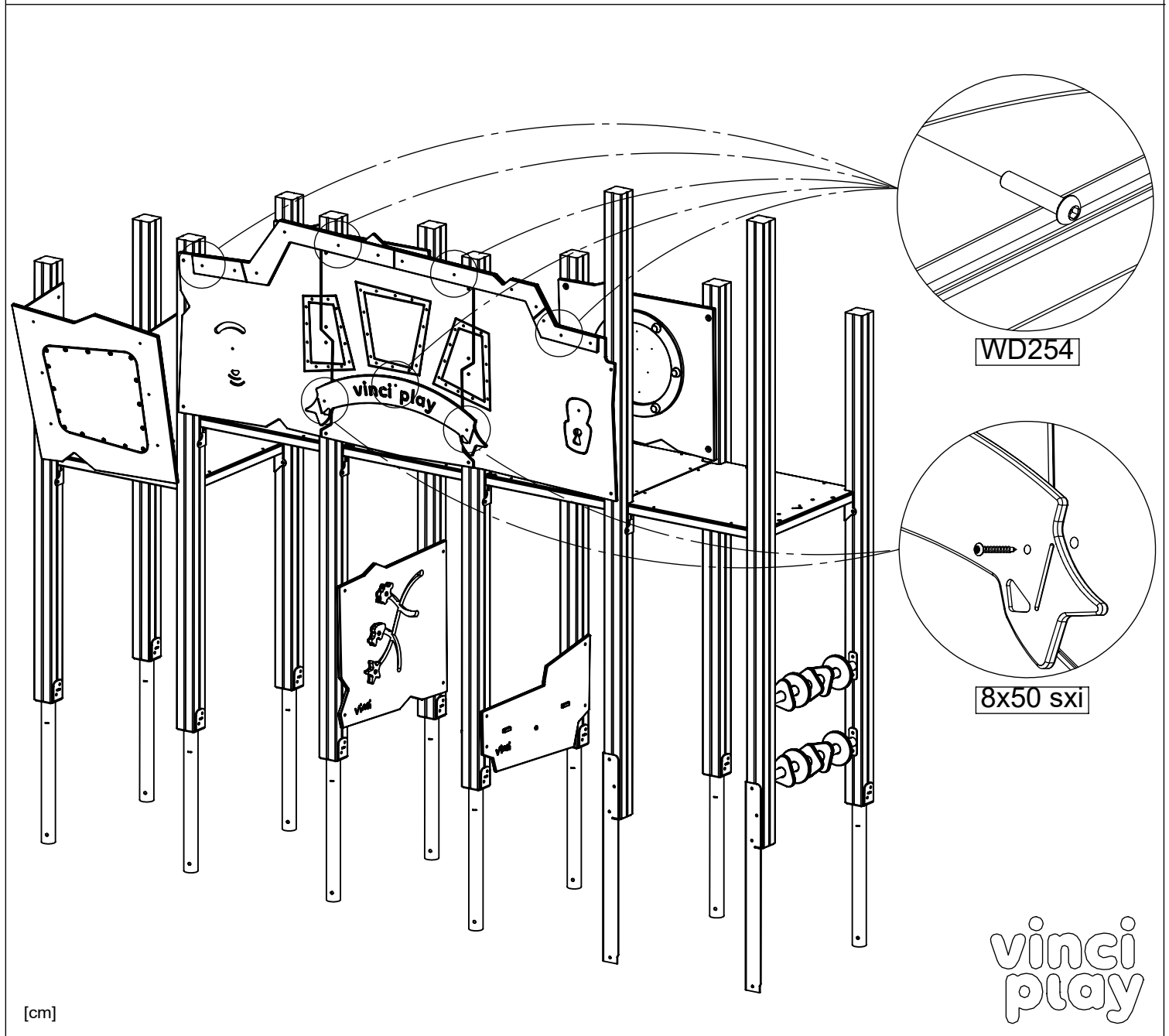
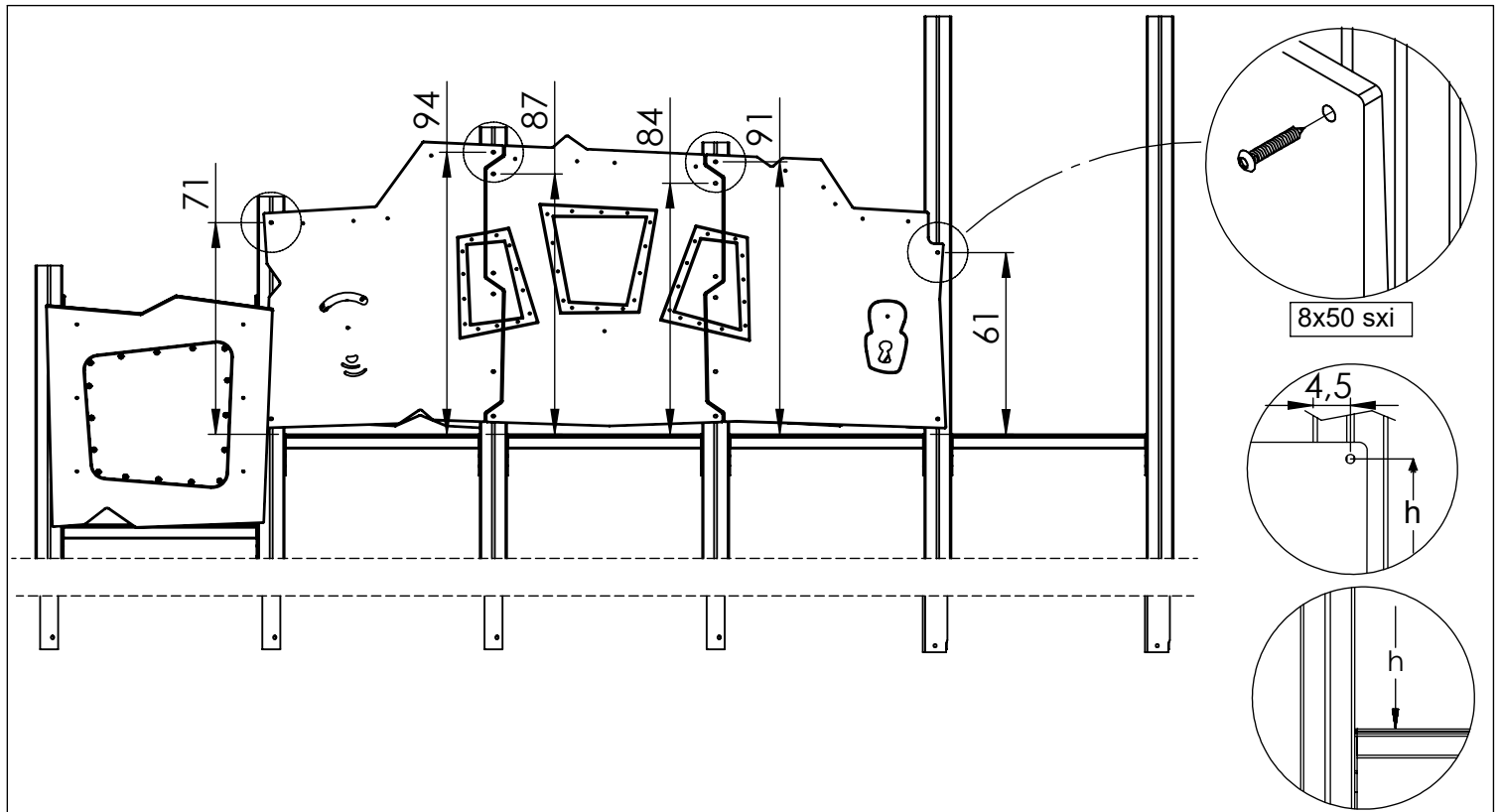
[cm]

vinci
play



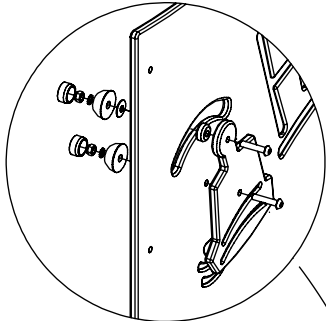
[cm]

vinci
play



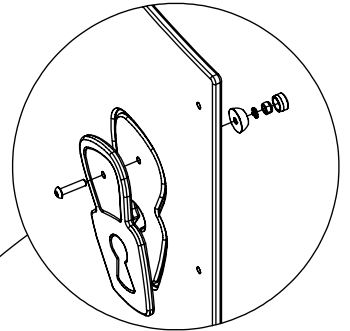
[cm]

vinci
play



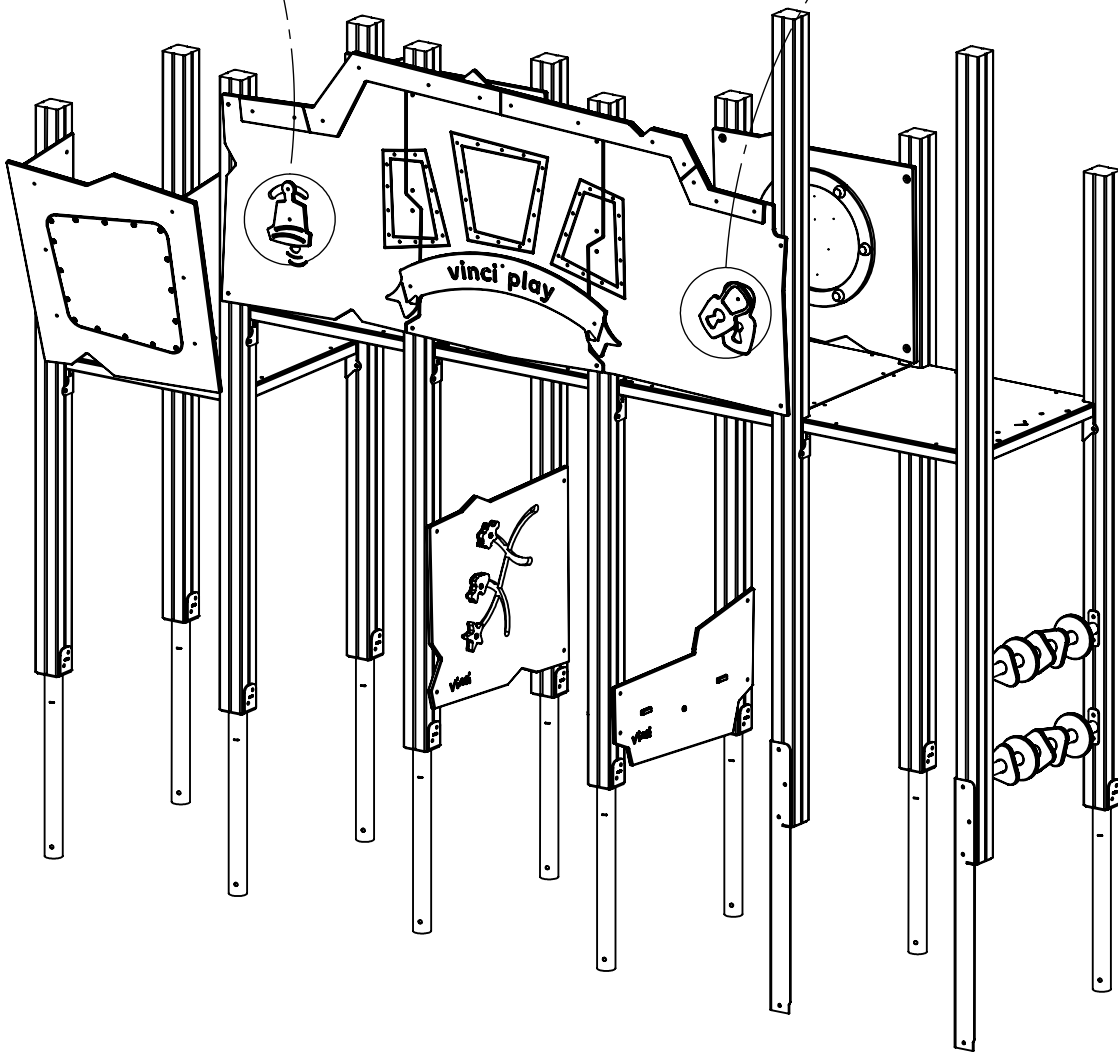
HDPE
c084

HPL
WD252



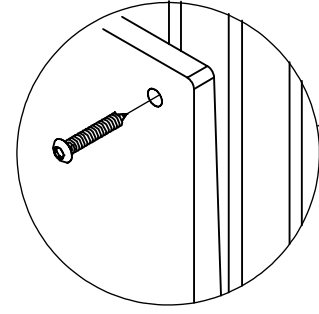
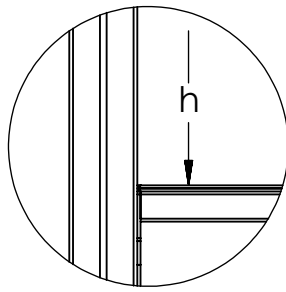
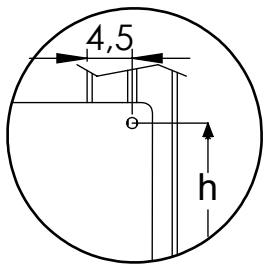
HDPE
c086

HPL
WD253

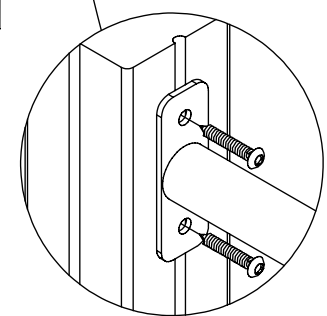
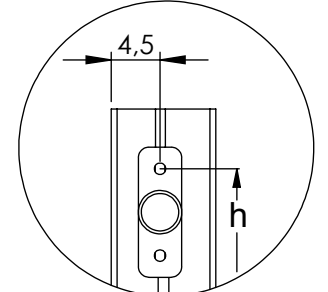
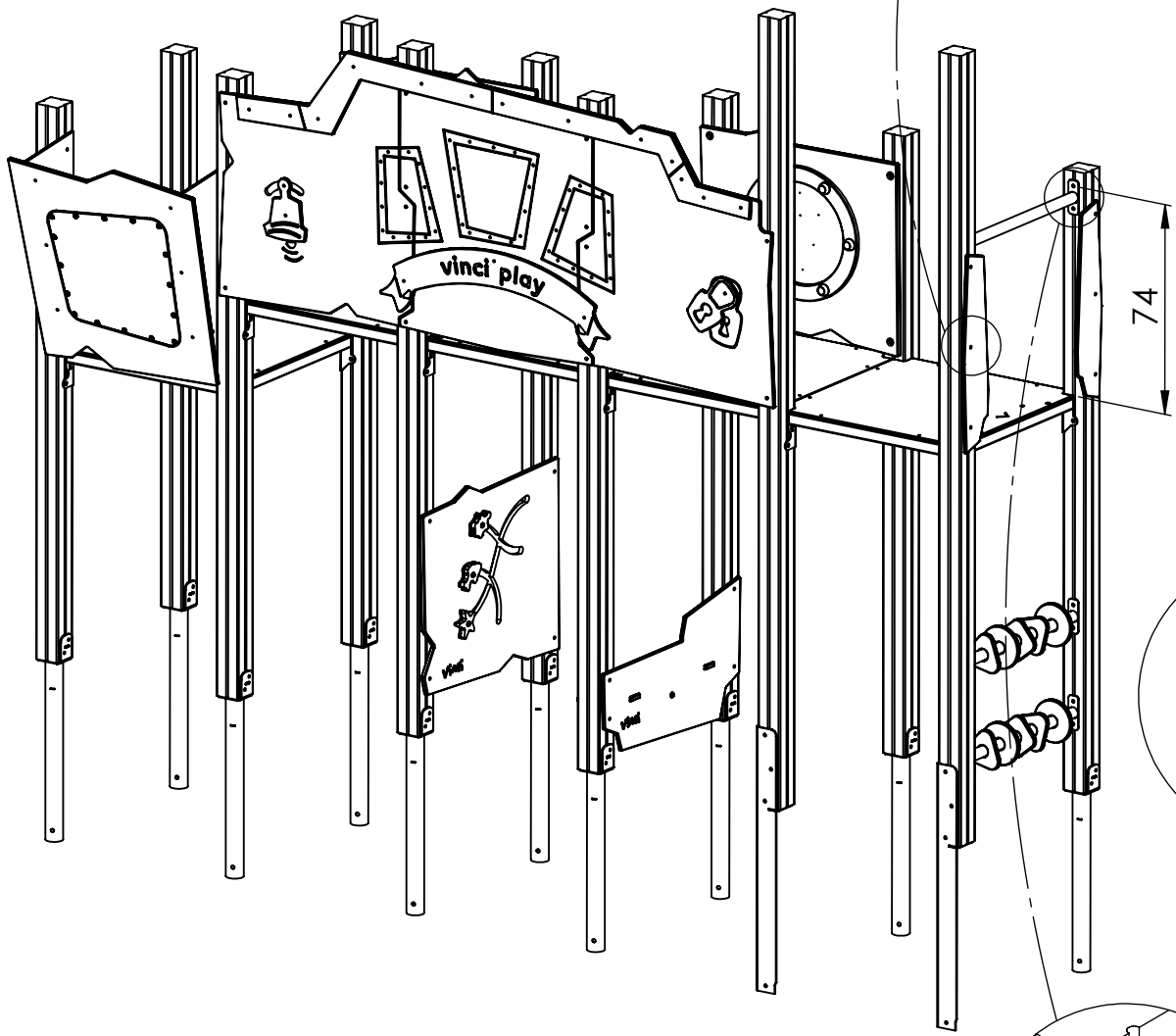
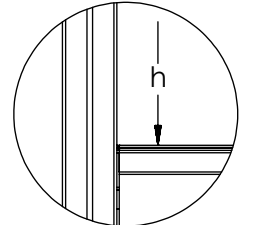
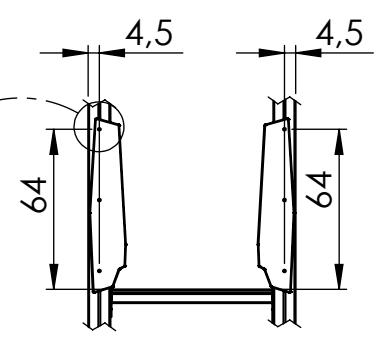


[cm]

vinci
play



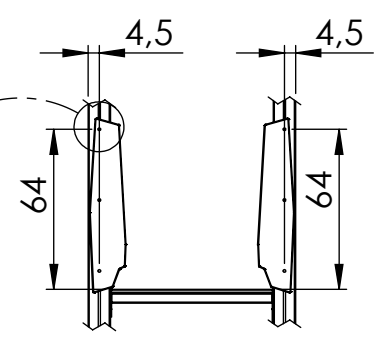
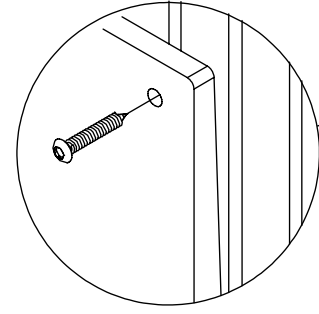
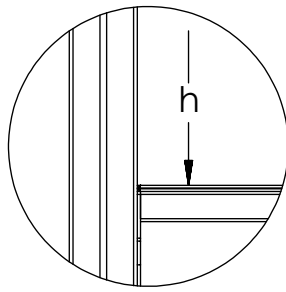
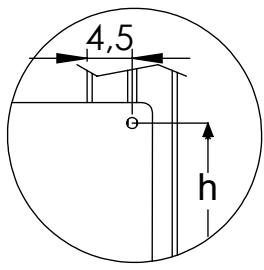
8x50 sxi



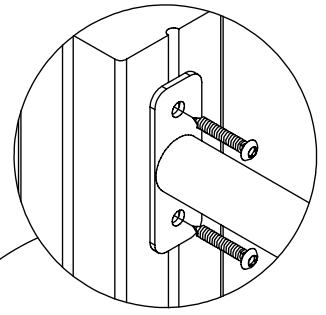
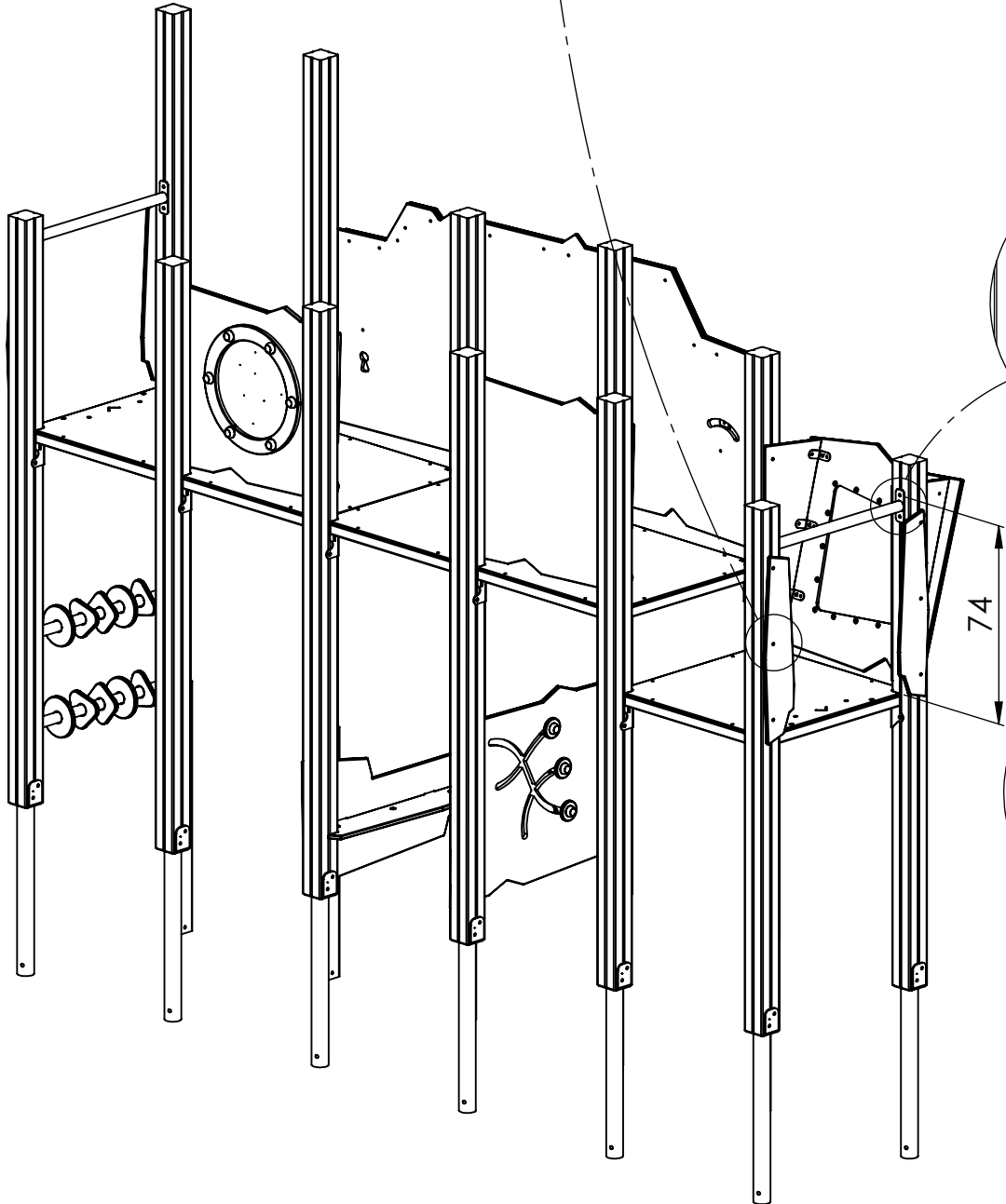
8x50 sxi

[cm]

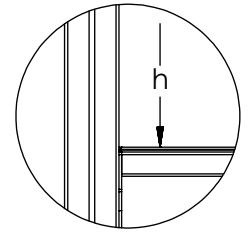
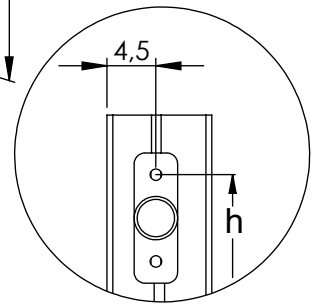
vinci
play



8x50 sxi

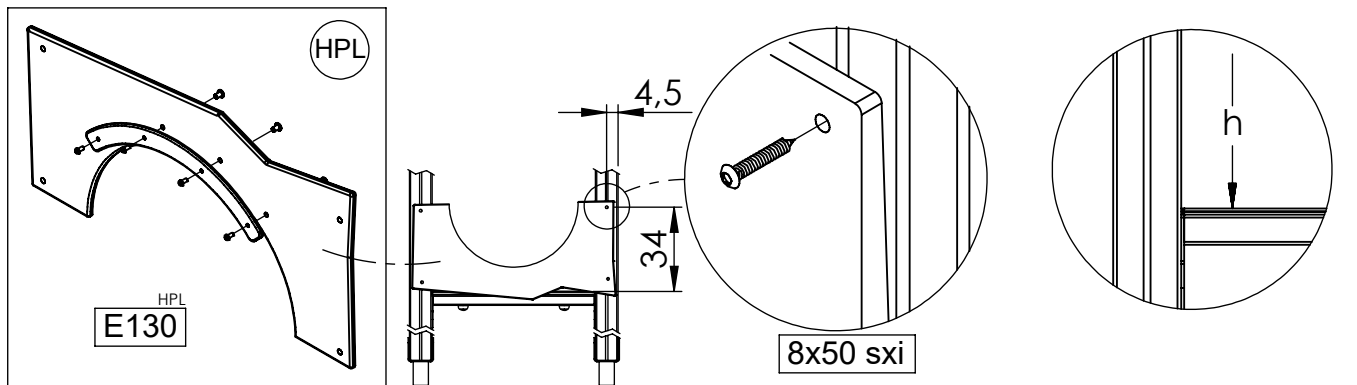
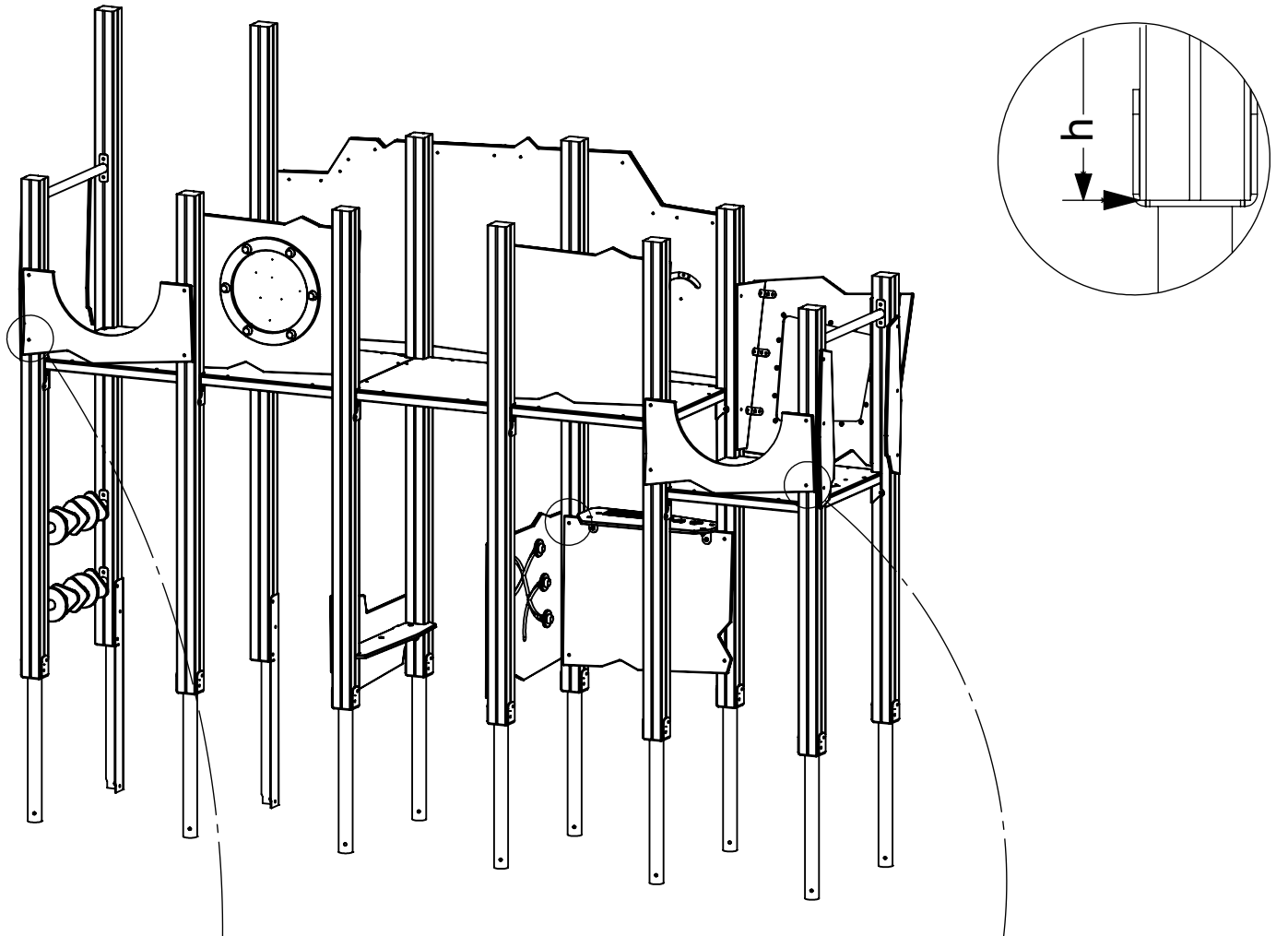
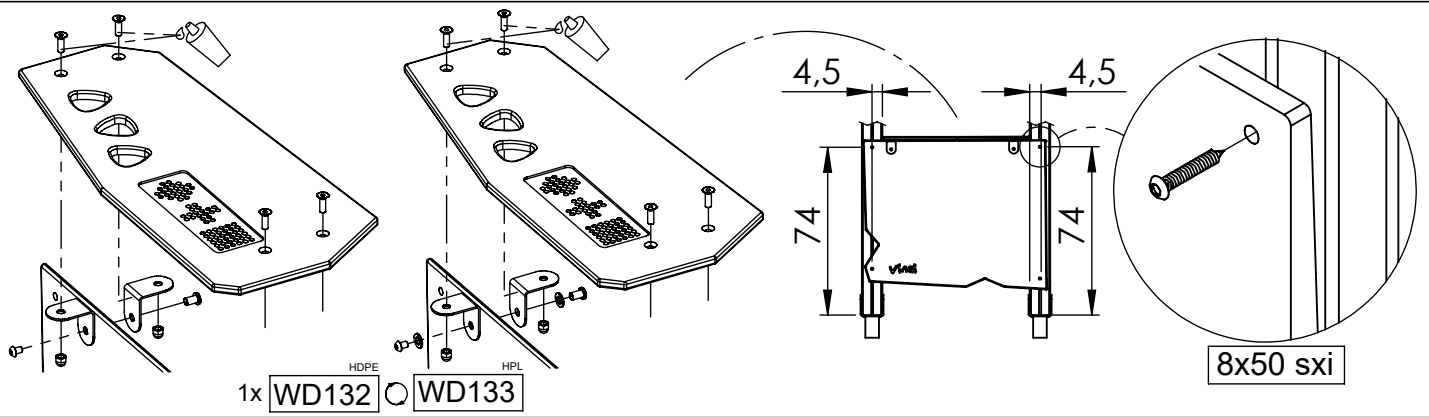


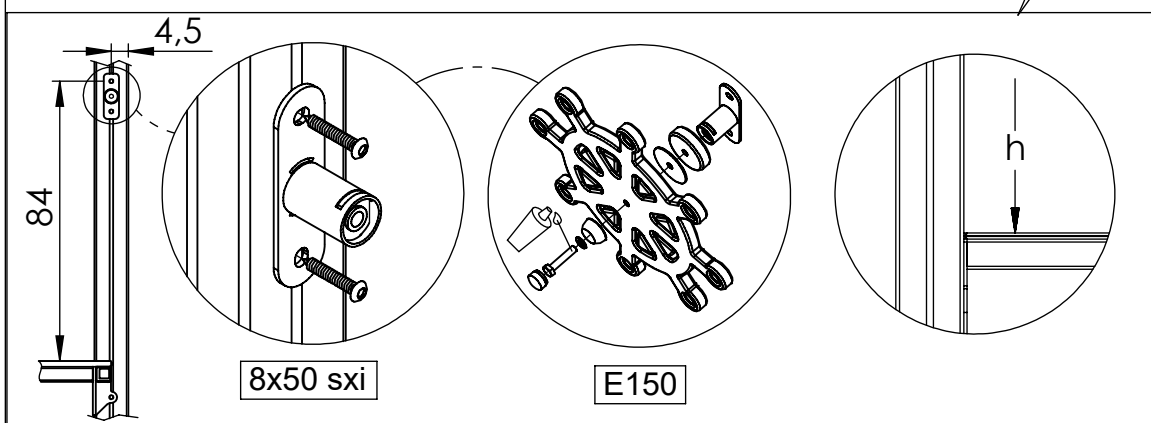
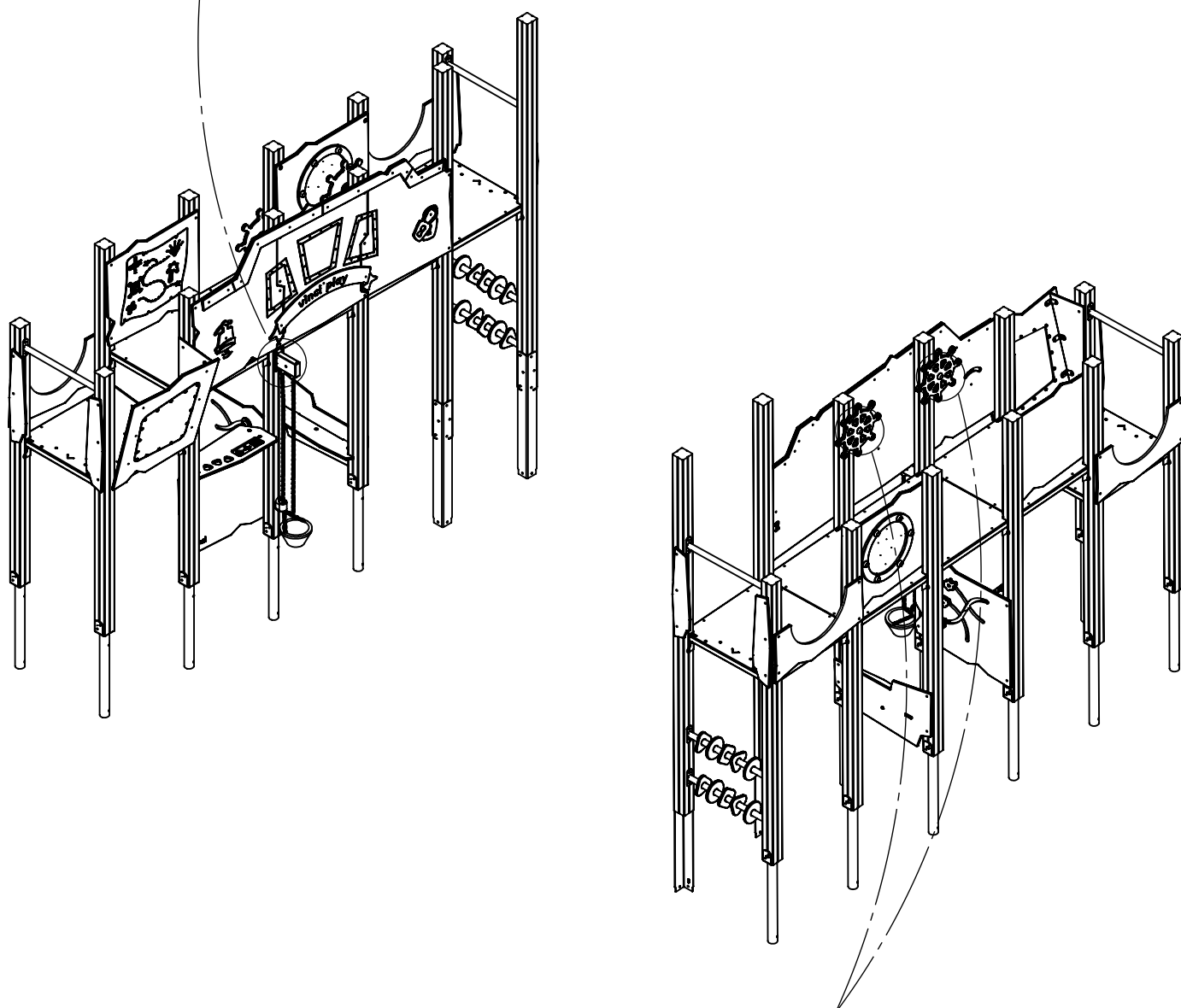
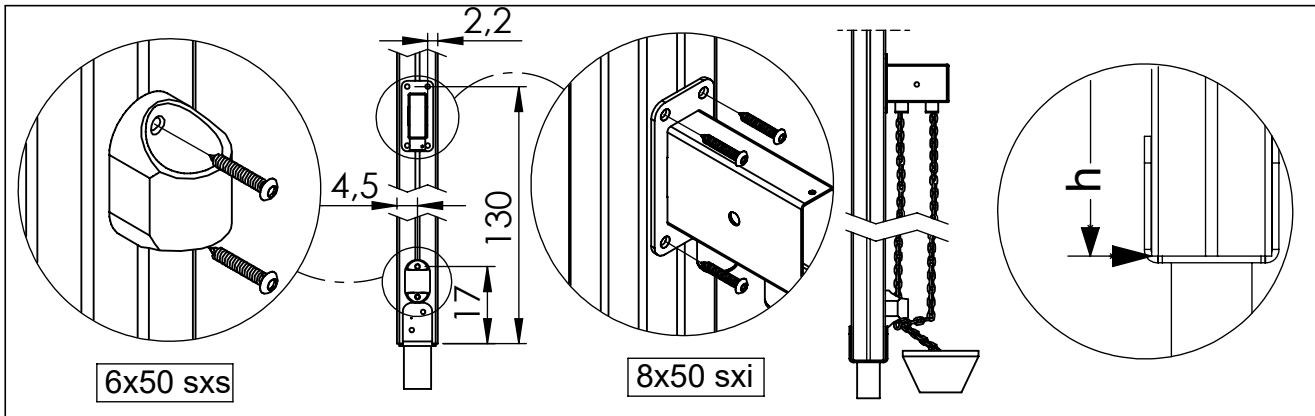
8x50 sxi



[cm]

vinci
play

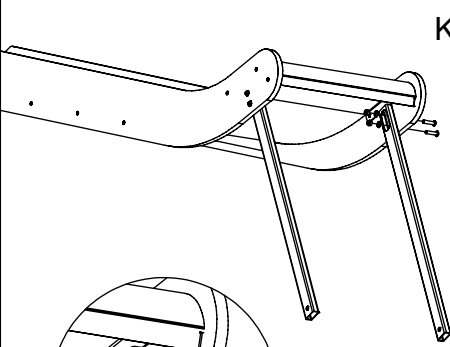




[cm]

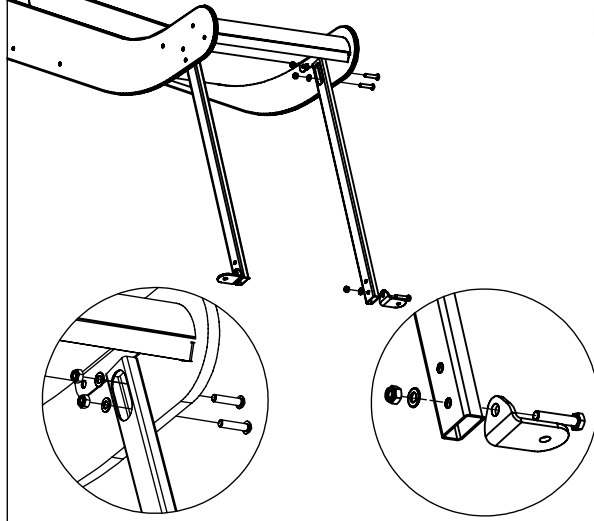
vinci
play

K1

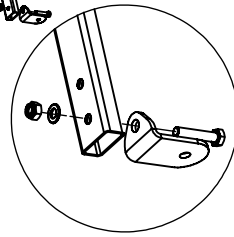


E34

K2

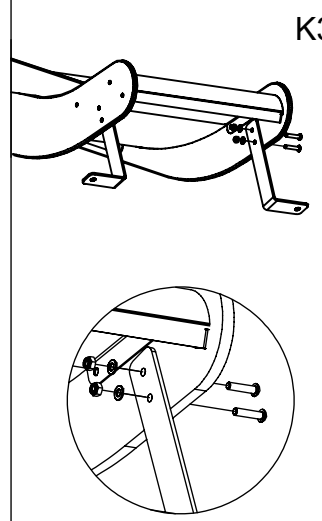


E35



E35

K3



E34

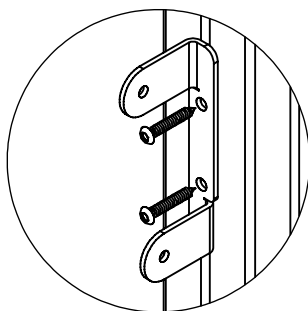
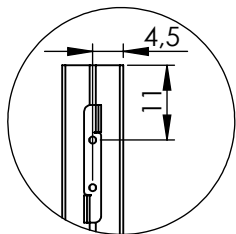


PLYWOOD WD28 S1 HPL WD29

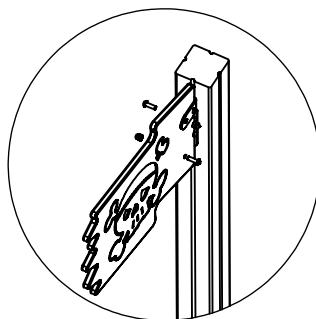
PLYWOOD WD113 S6 HPL WD114

[cm]

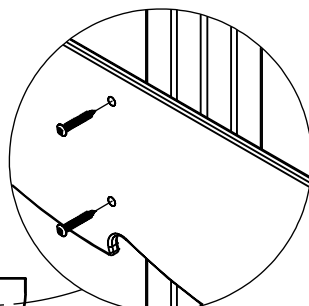
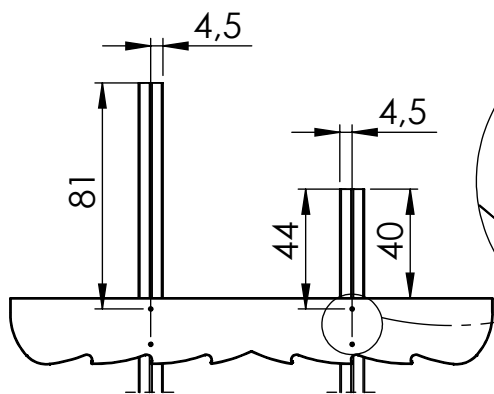
vinci play



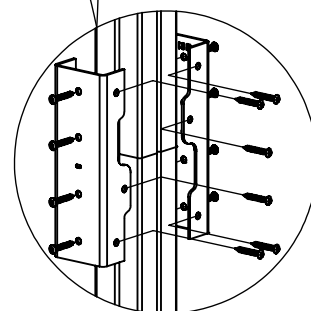
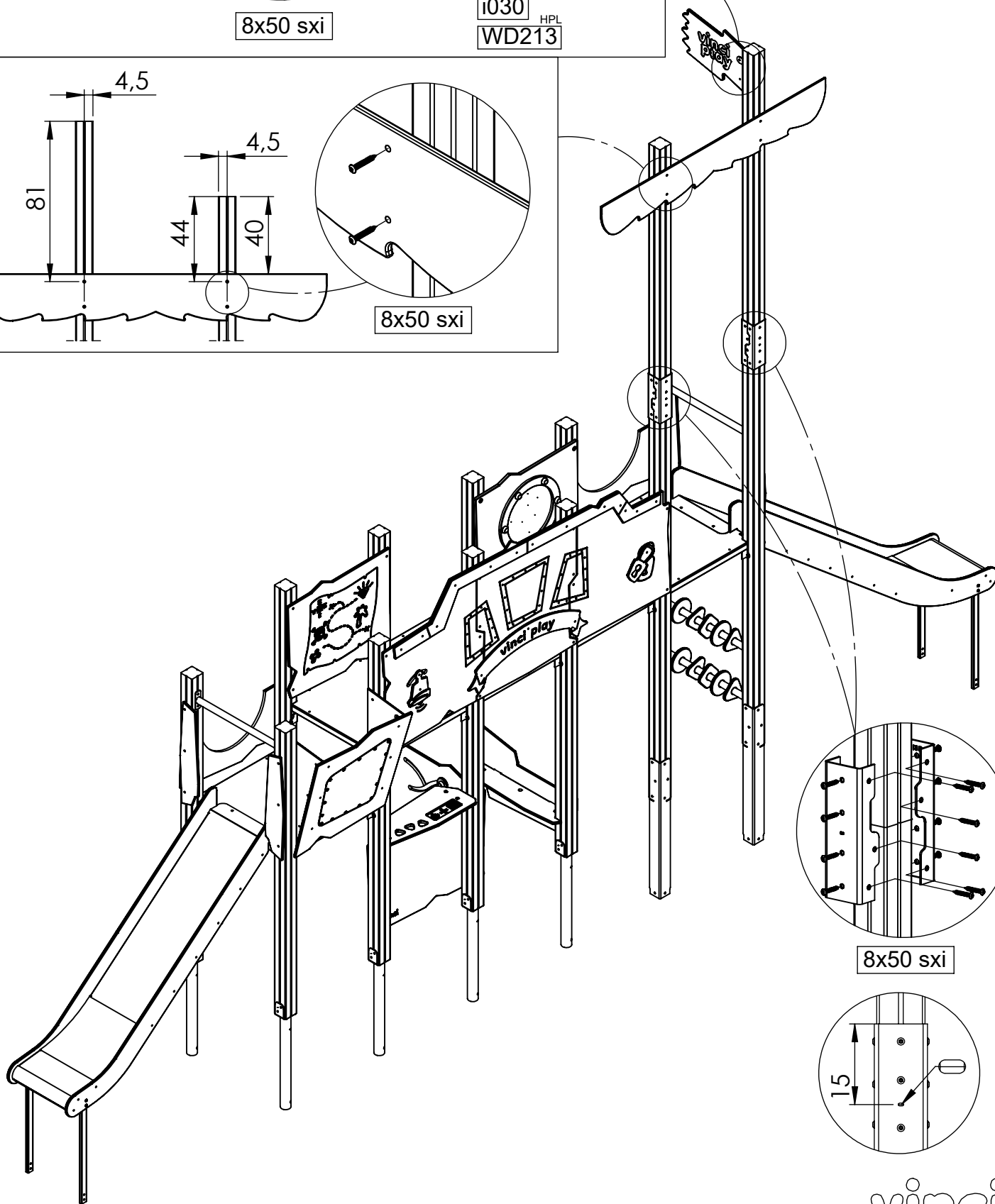
8x50 sxi



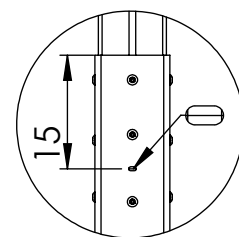
i030^{HPL}
WD213



8x50 sxi



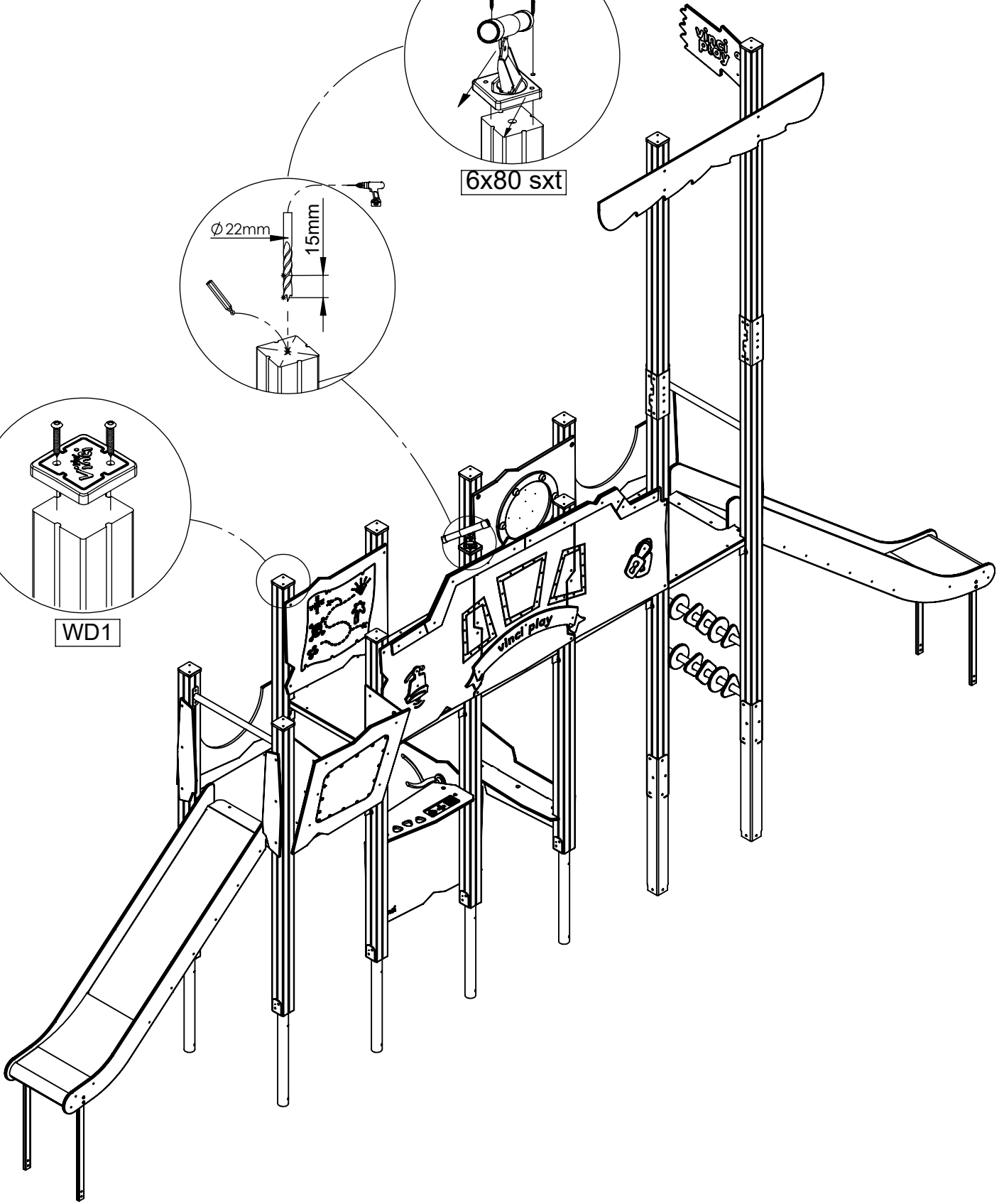
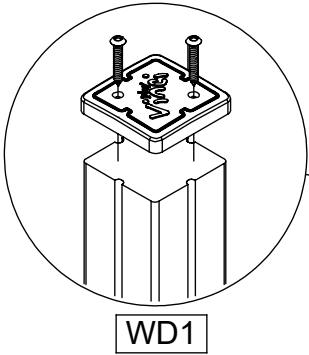
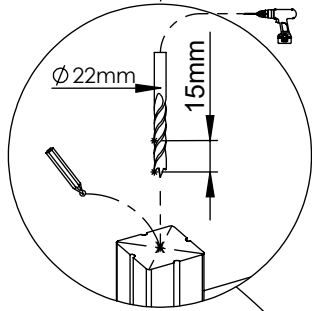
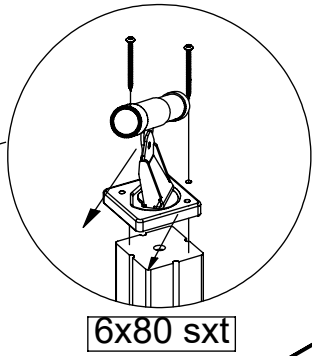
8x50 sxi



15

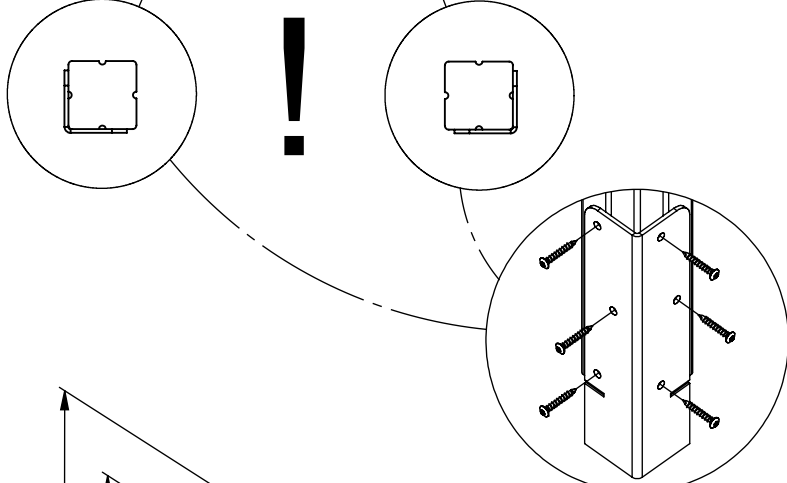
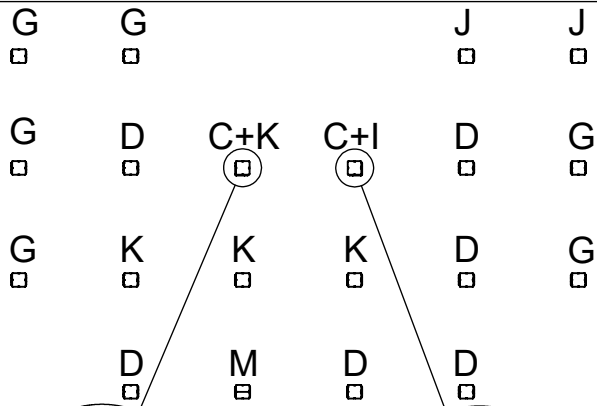
[cm]

vinci
play

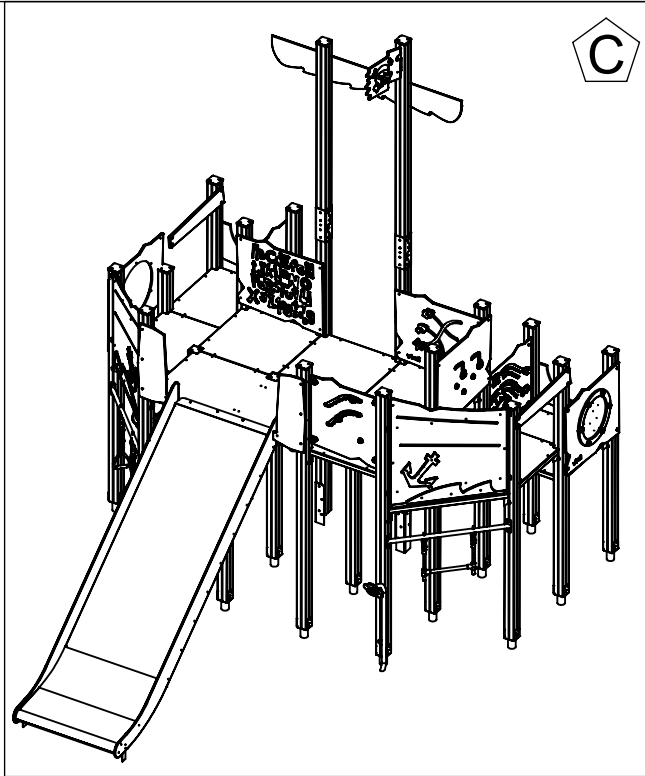


[cm]

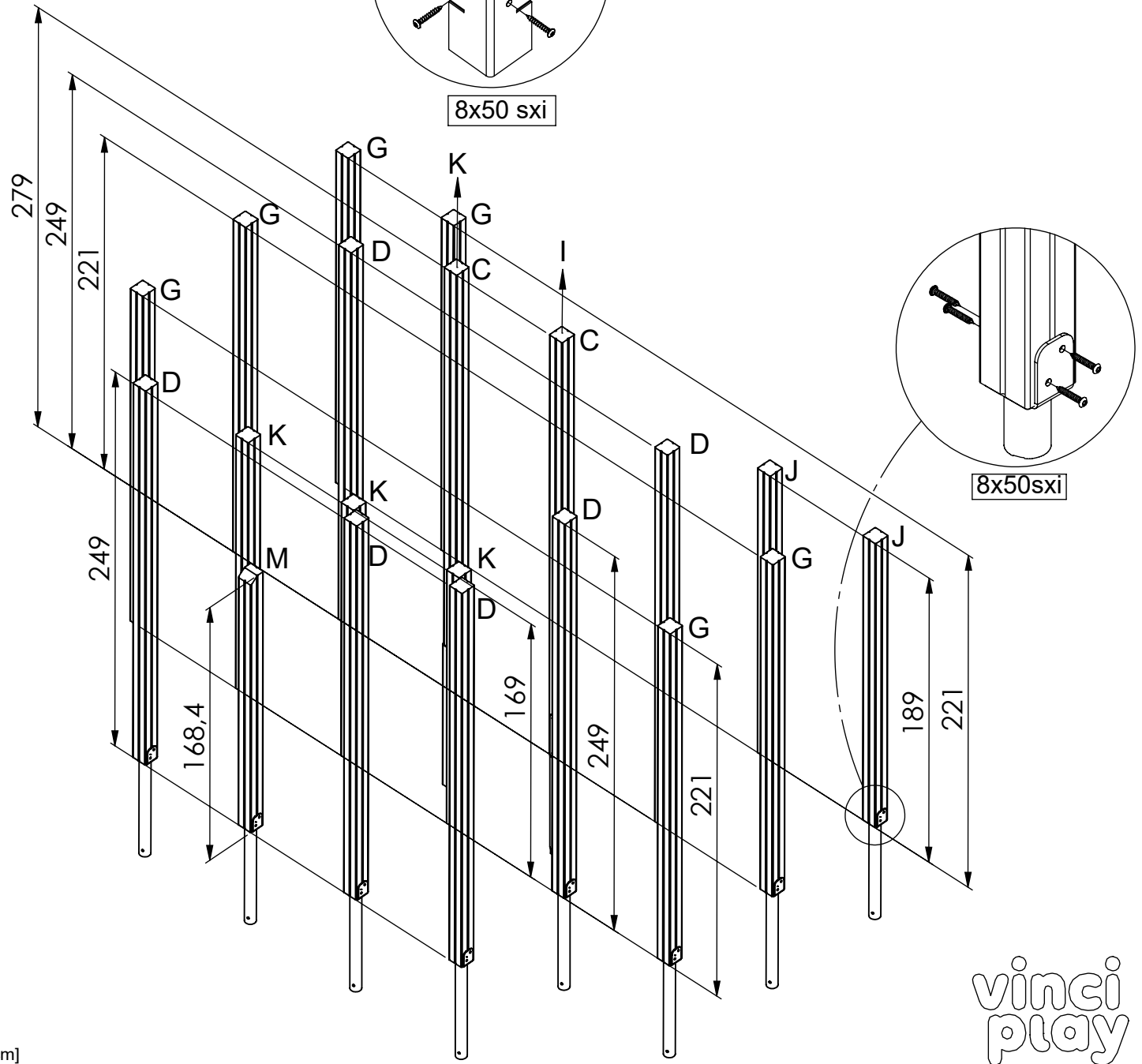
vinci
play



8x50 sxi



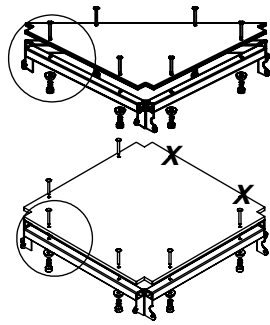
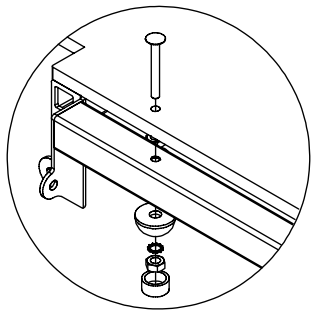
C



8x50sxi

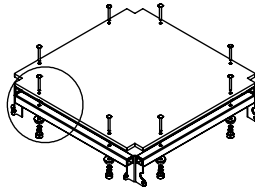
[cm]

vinci play



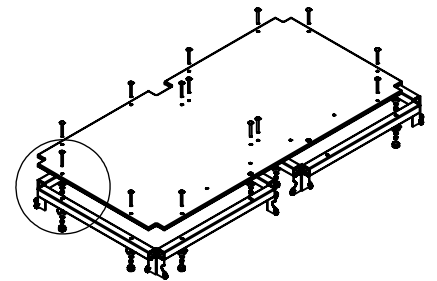
PLYWOOD
WD74

HPL
WD75



PLYWOOD
WD76

HPL
WD77

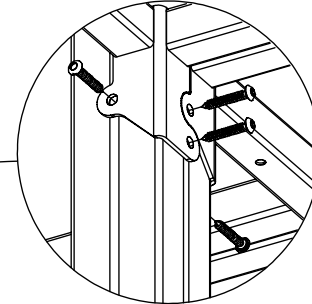
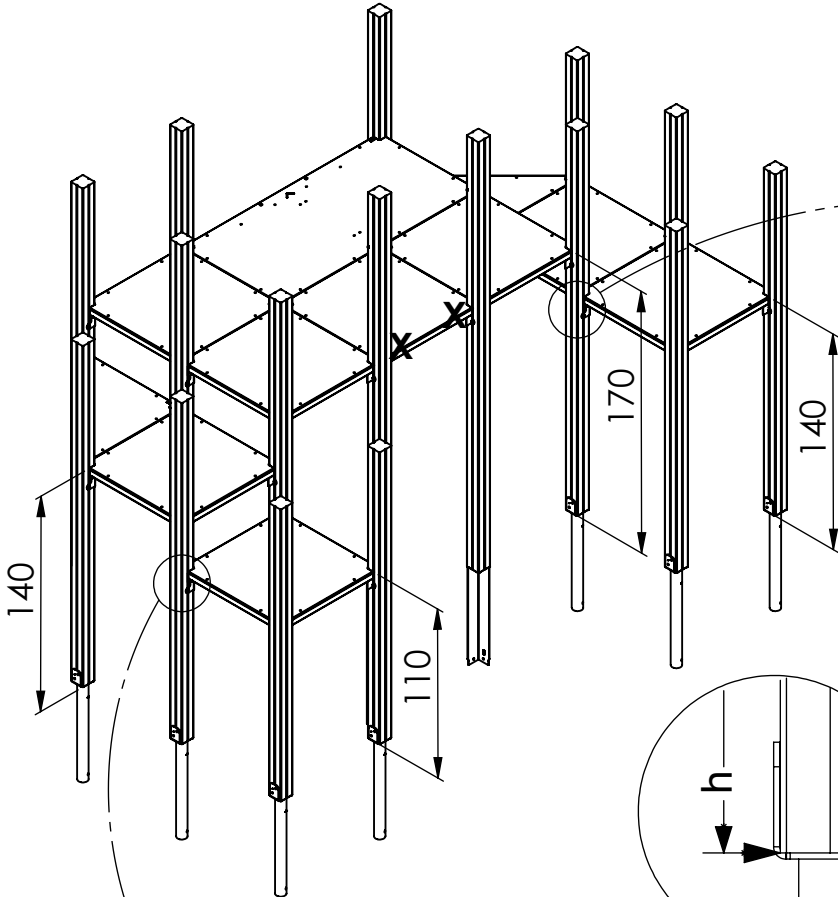


PLYWOOD
WD74

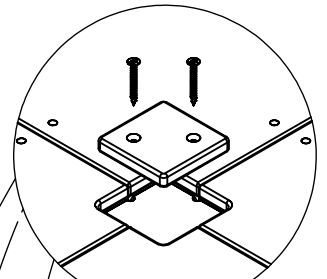
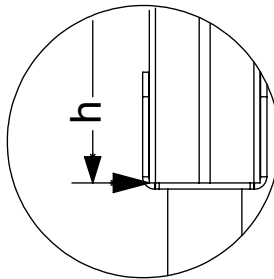
HPL
WD75

PLYWOOD
WD76

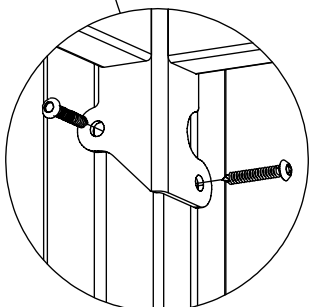
HPL
WD77



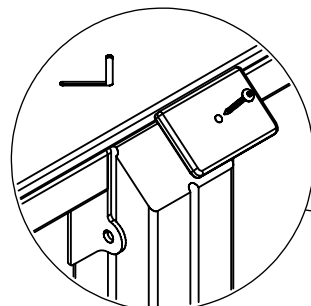
8x50 sxi



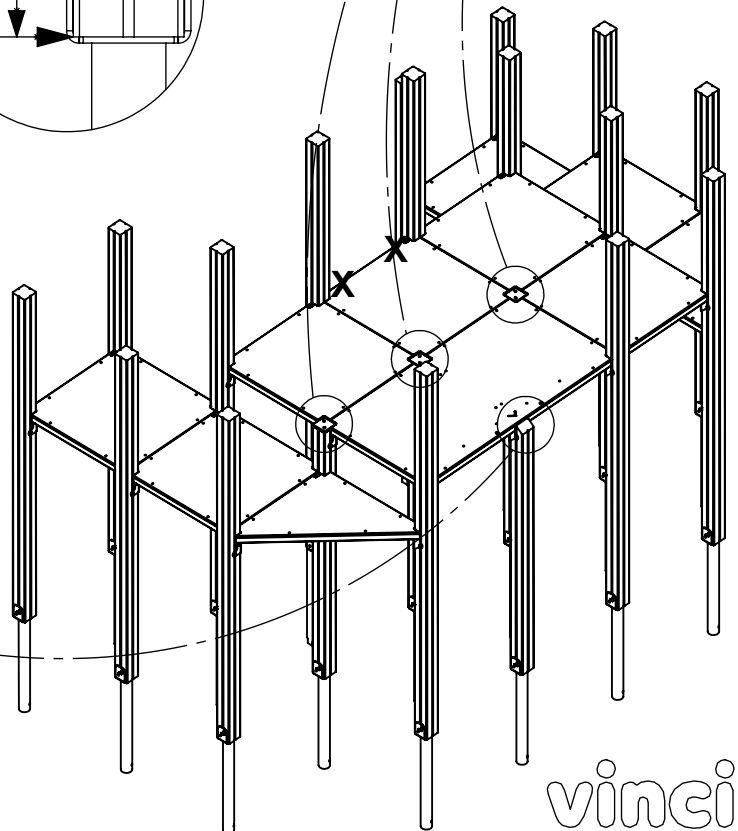
6x50 sxs



8x50 sxi

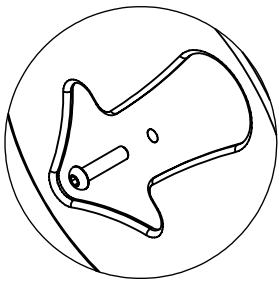


WD1-1

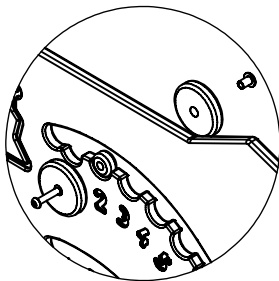


vinci
play

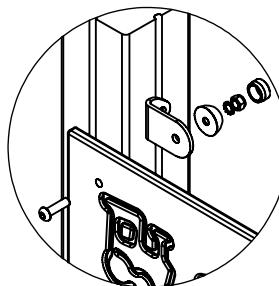
[cm]



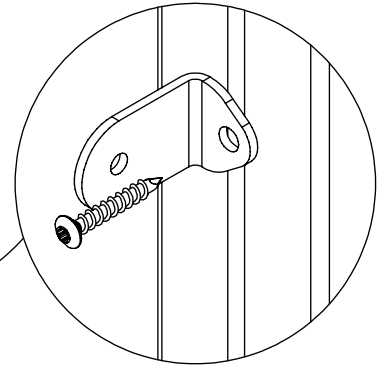
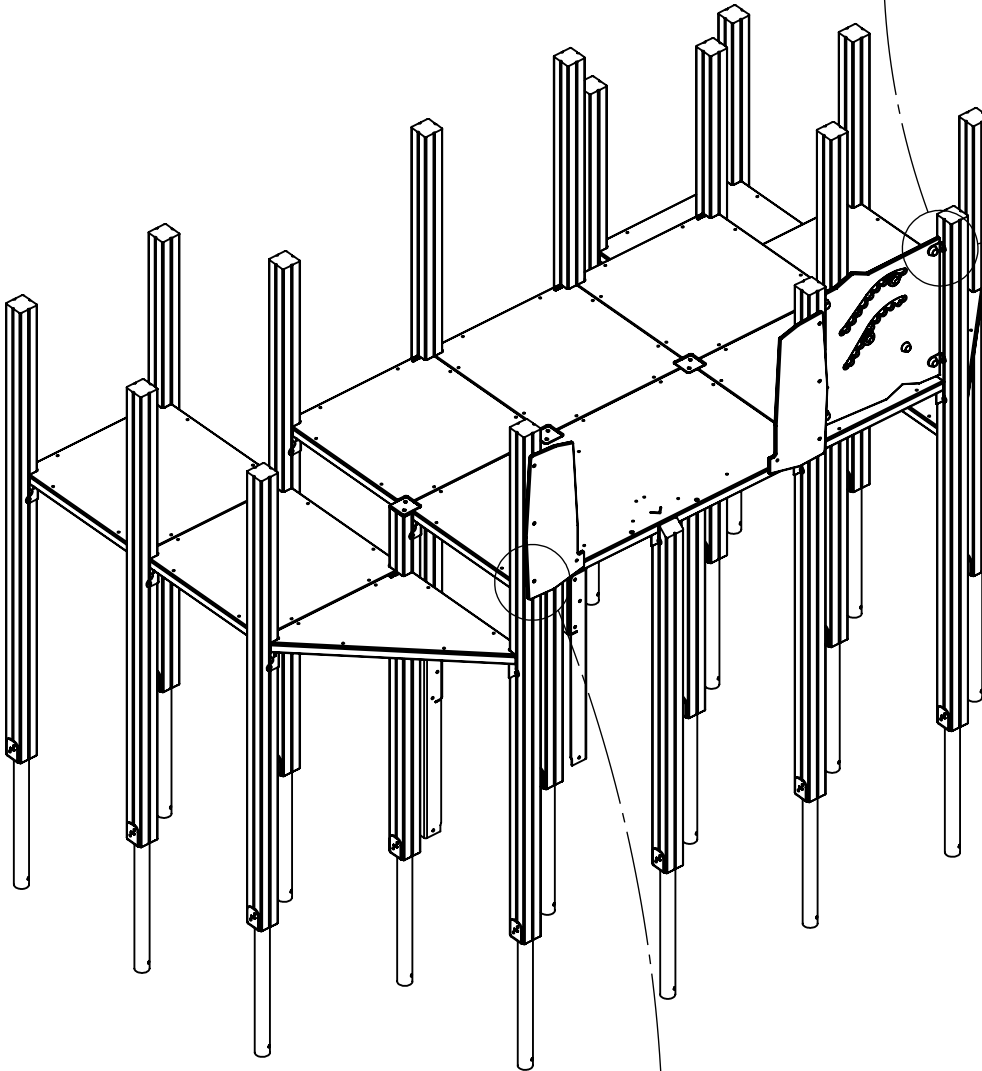
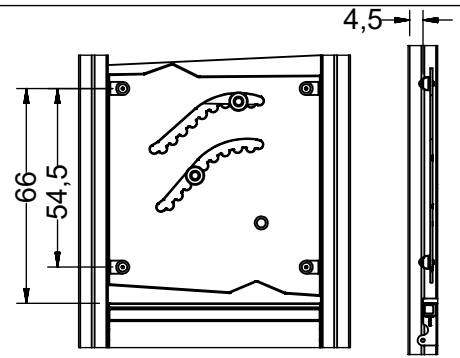
PLYWOOD
CE83 HPL
CL83



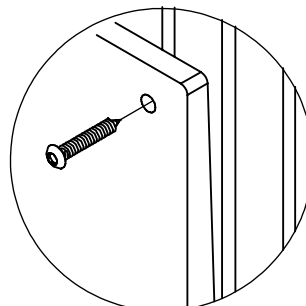
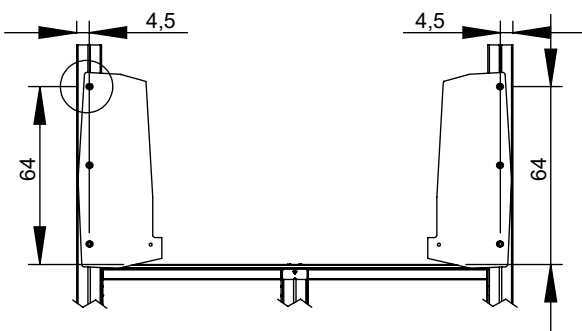
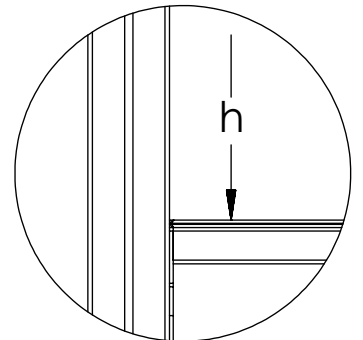
PLYWOOD
WE126 HPL
WL126



PLYWOOD
WE125 HPL
WL125



8x50 sxi
i128-1

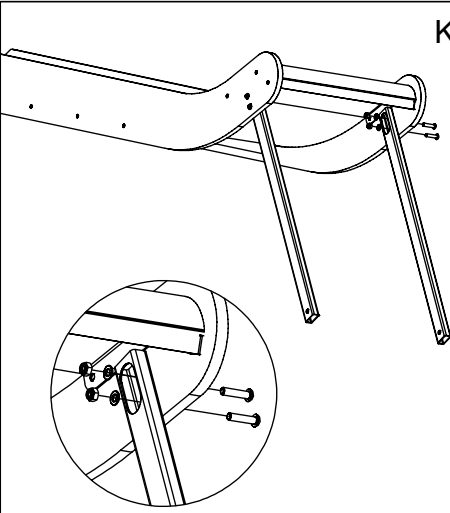


8x50 sxi

[cm]

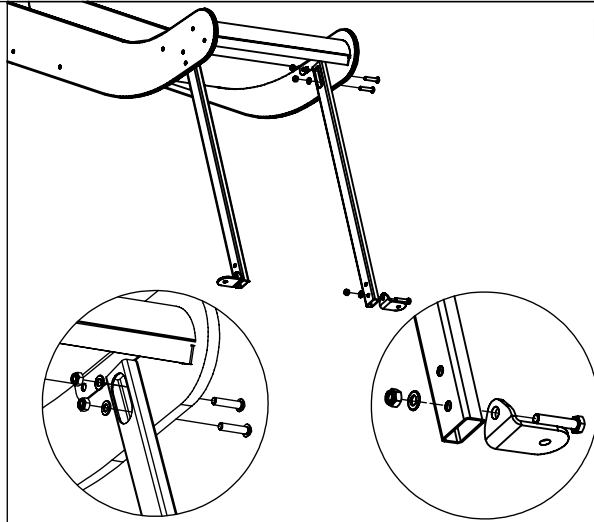
vinci
play

K1

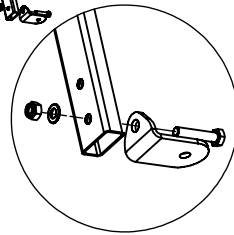


E34

K2

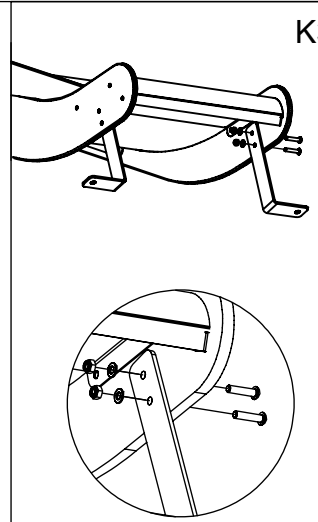


E35

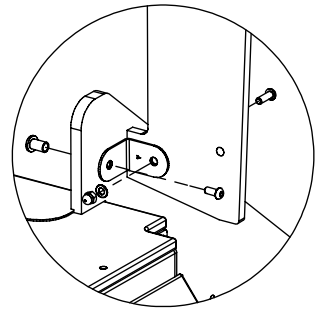
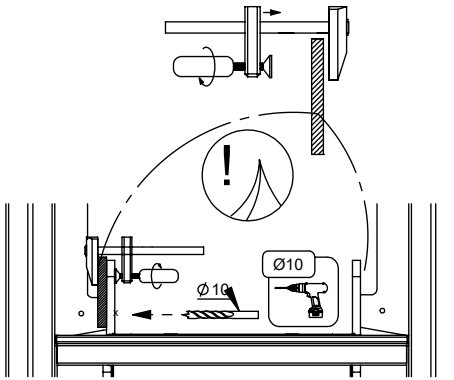
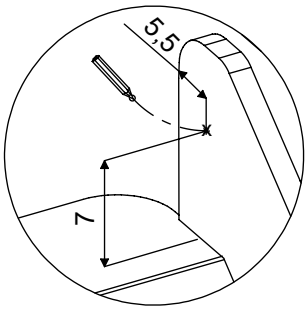


E35

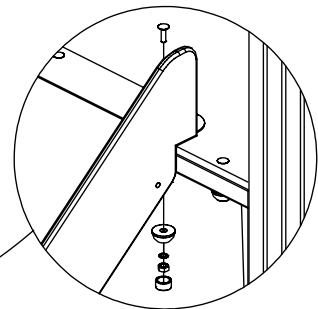
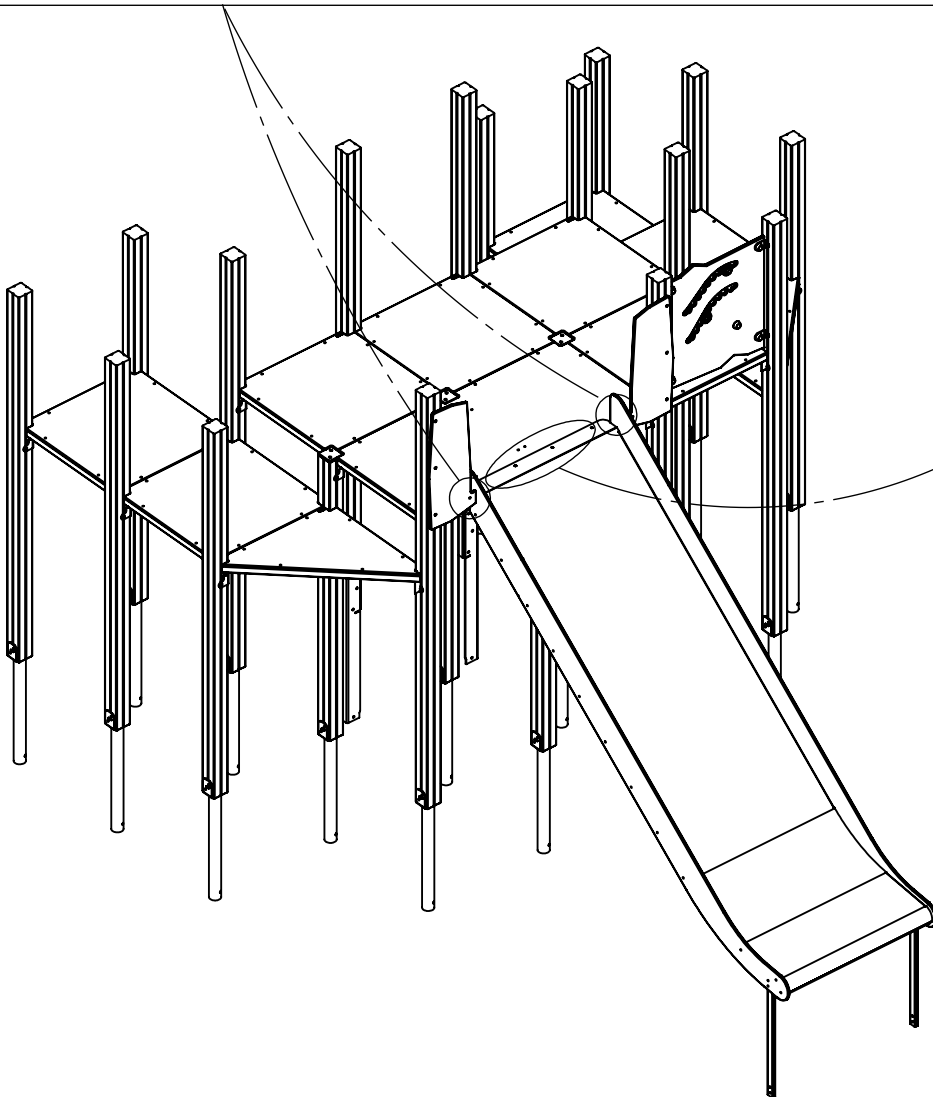
K3



E34



HDPE **CE49** HPL **CL49**

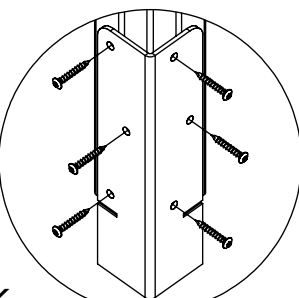
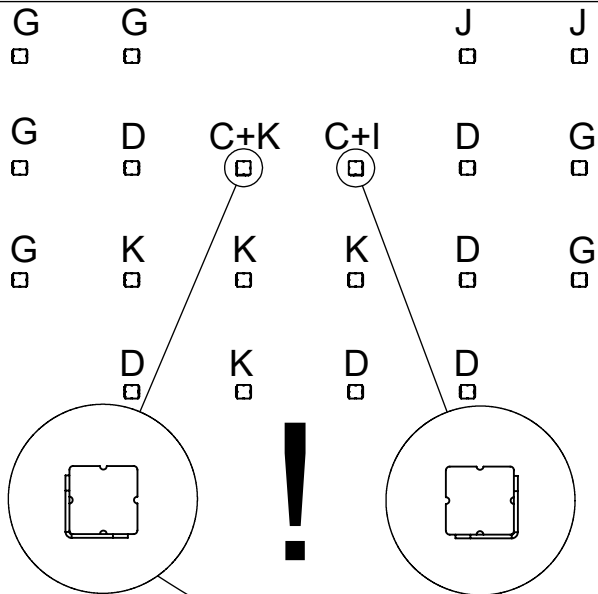


PLYWOOD **WD80** S1 HPL **WD81**

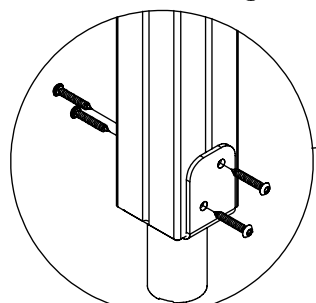
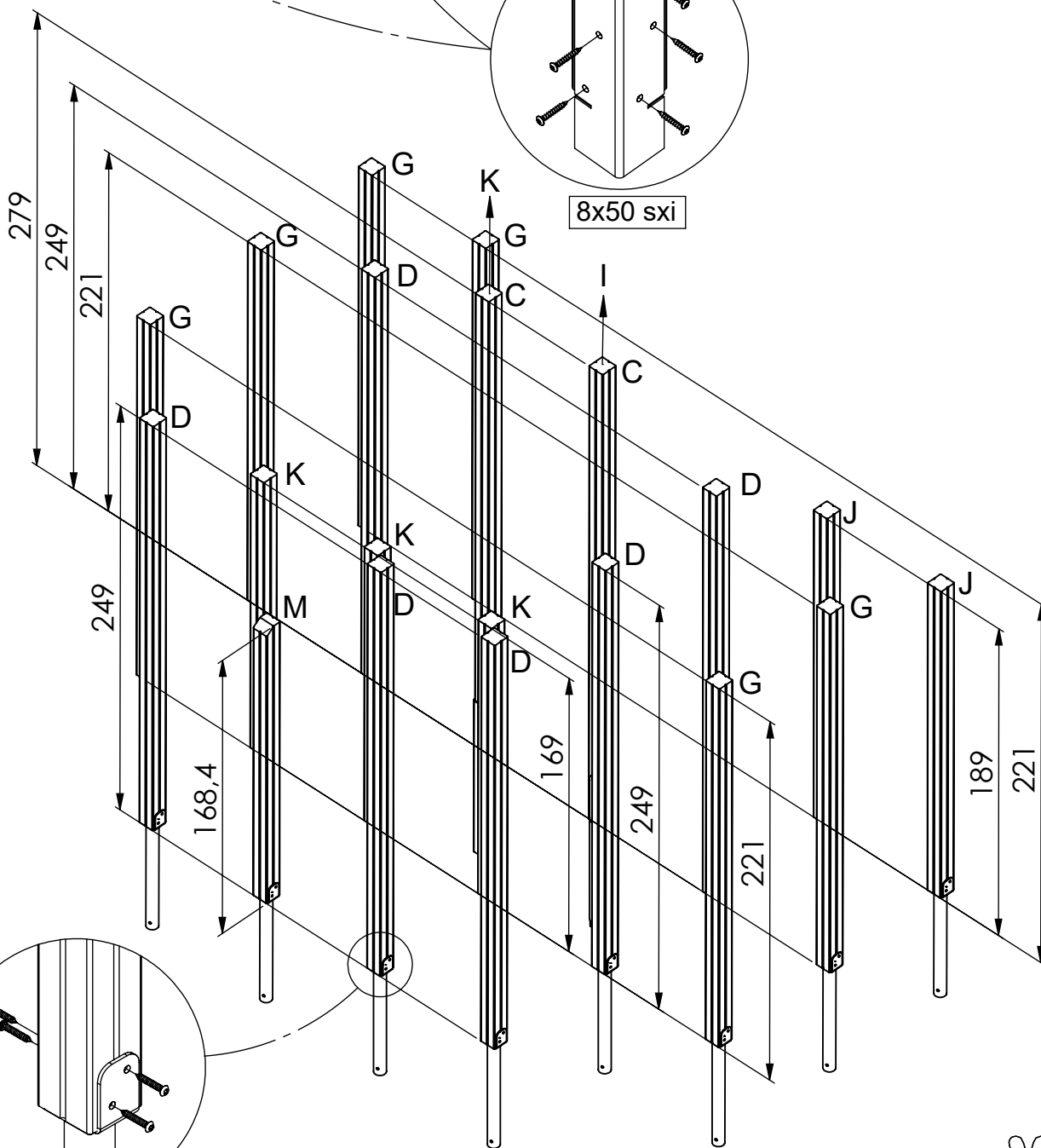
[cm]

vinci
play

WD1580S2



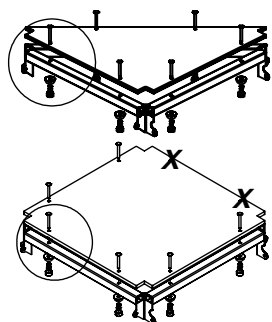
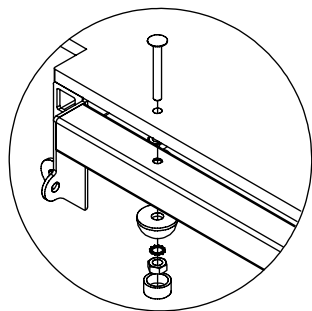
8x50 sxi



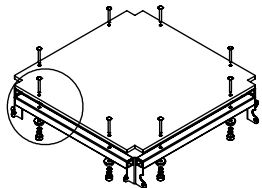
[cm]

8x50sxi

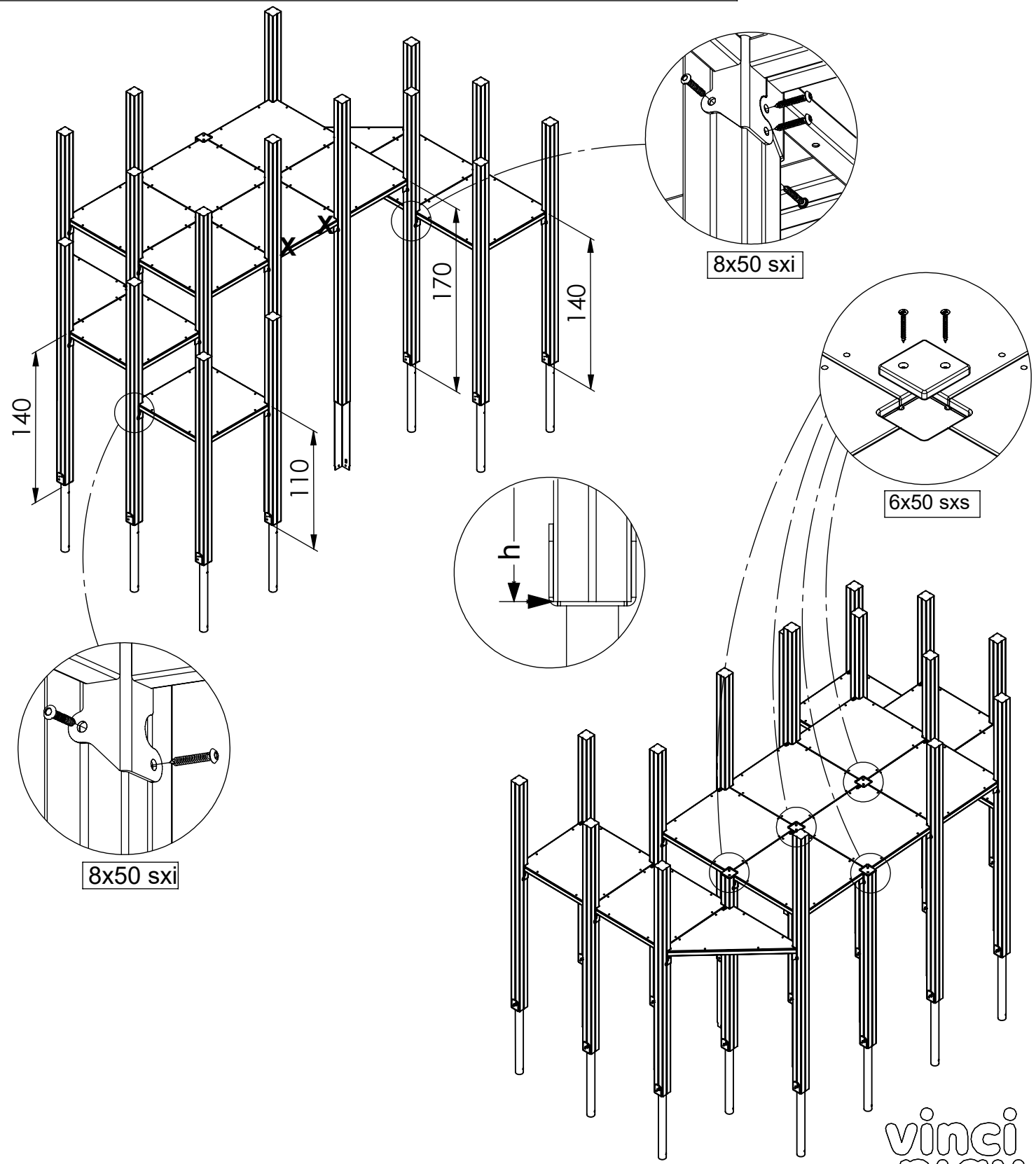
vinci play



PLYWOOD HPL
WD74 WD75



PLYWOOD HPL
WD76 WD77



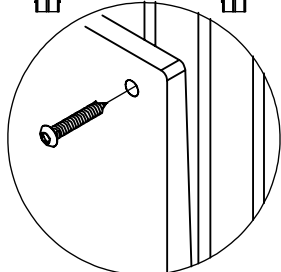
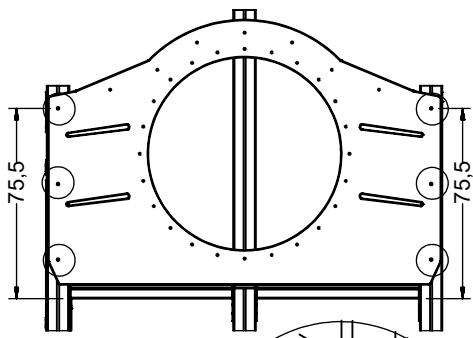
8x50 sxi

8x50 sxi

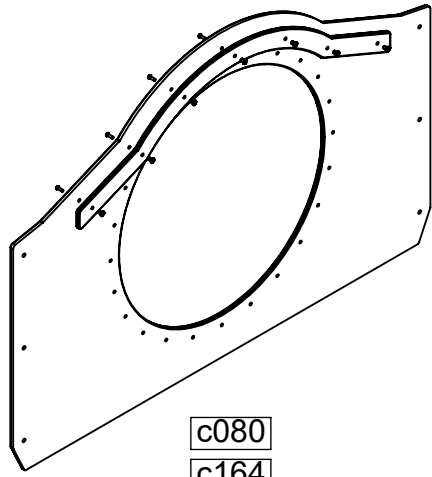
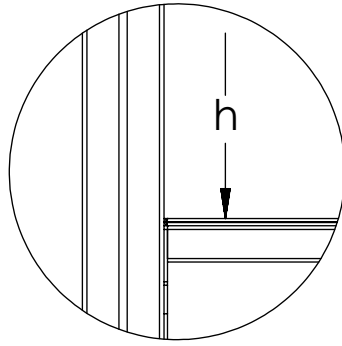
6x50 sxs

[cm]

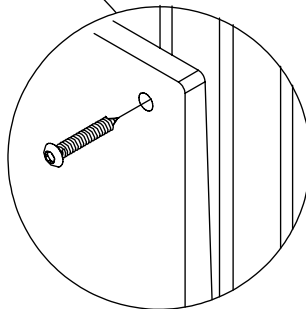
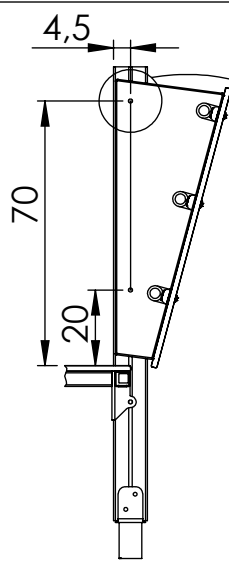
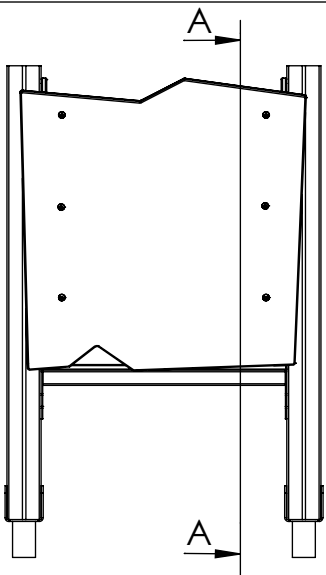
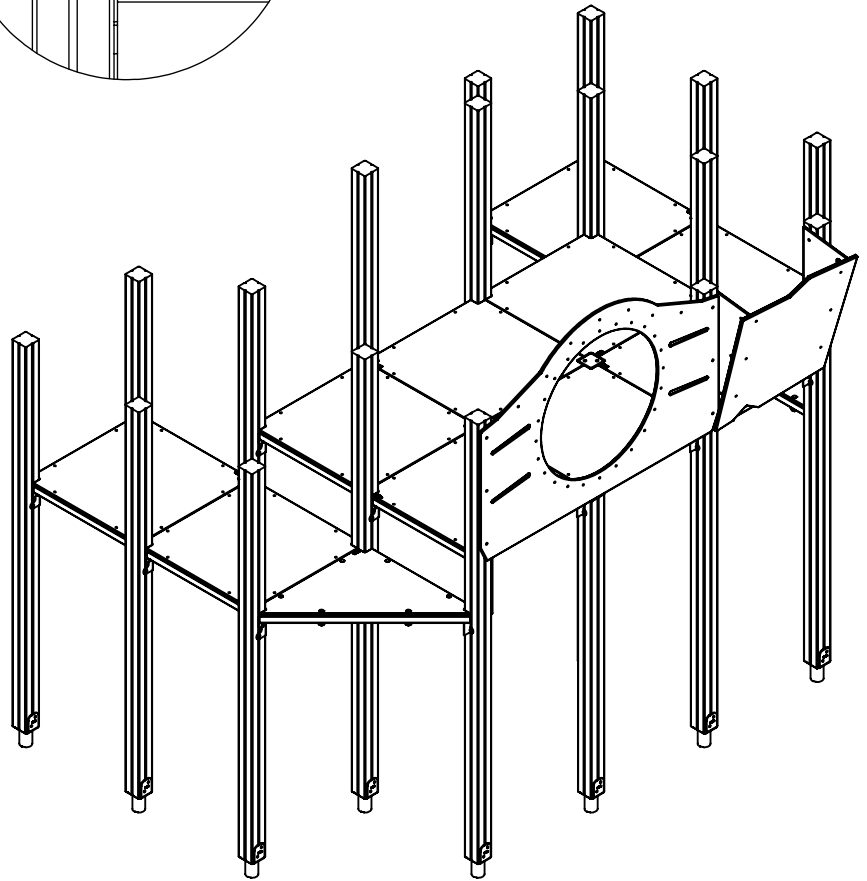
vinci play



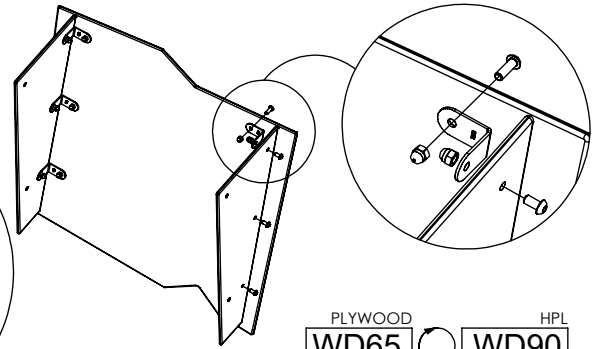
8x50 sxi



c080
c164



8x50 sxi

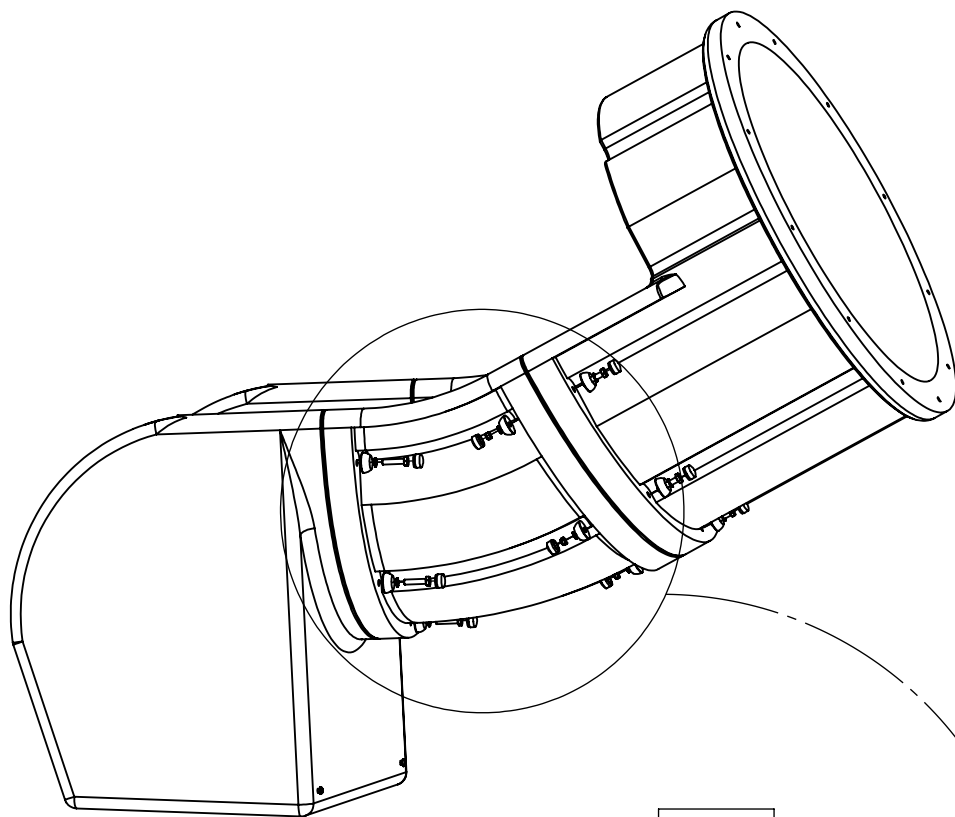


PLYWOOD
WD65

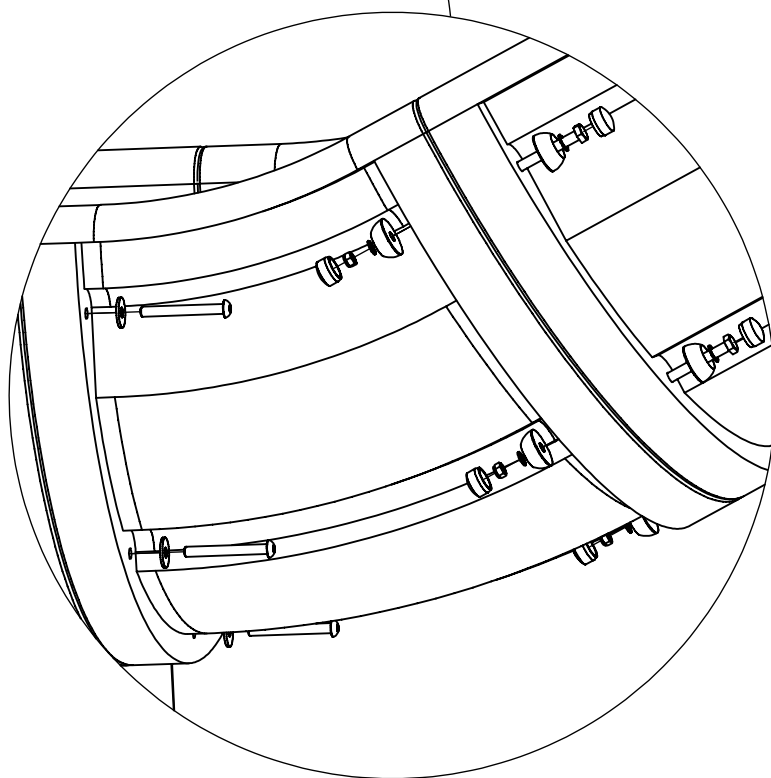
HPL
WD90

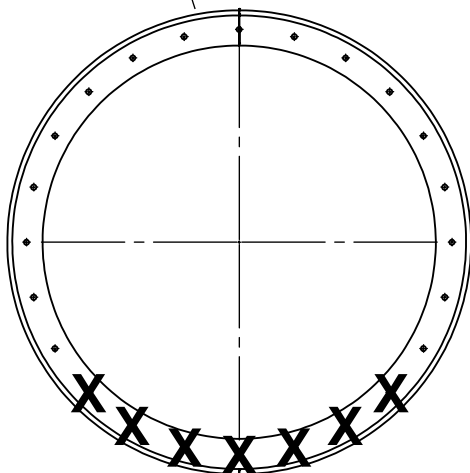
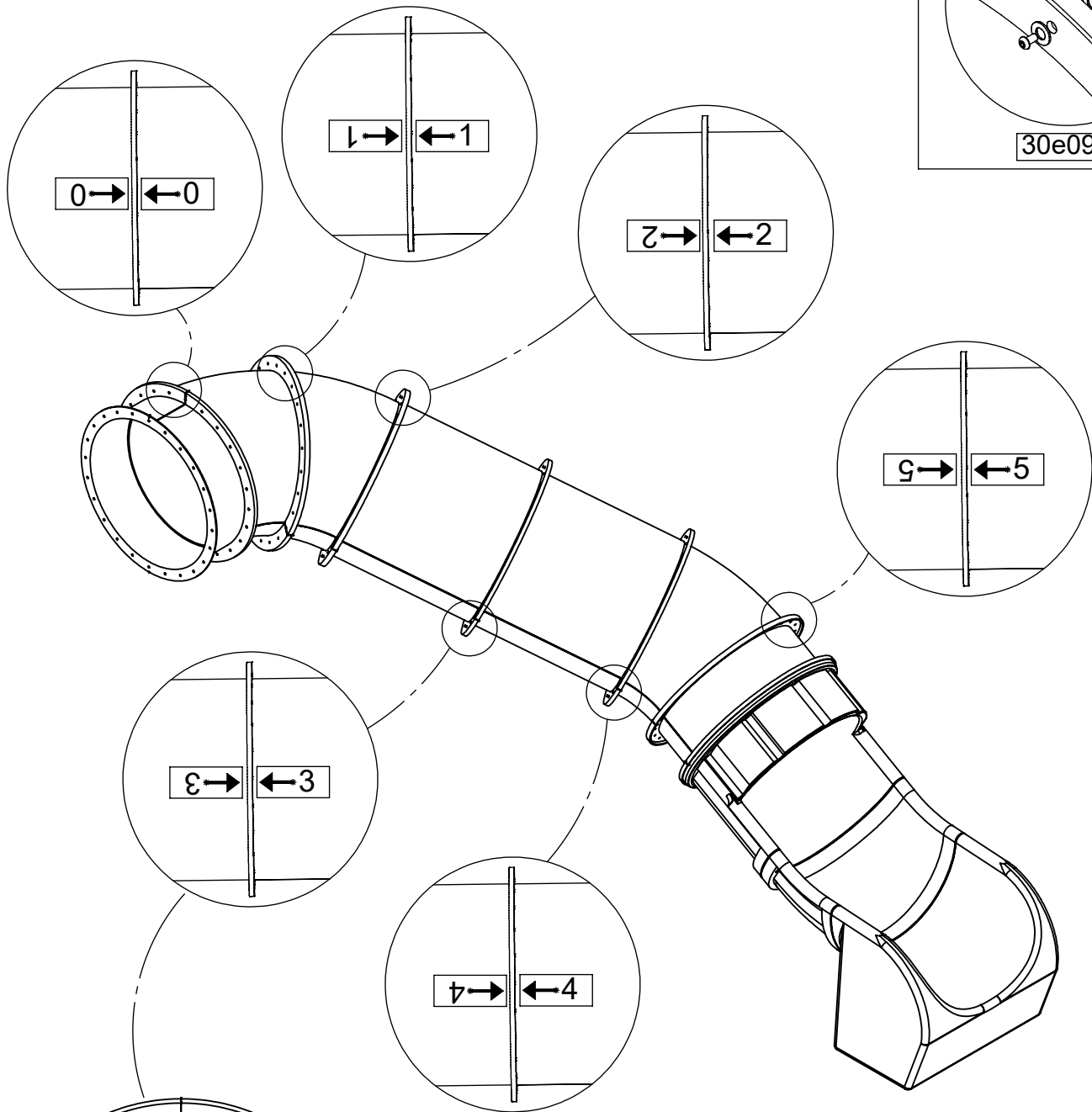
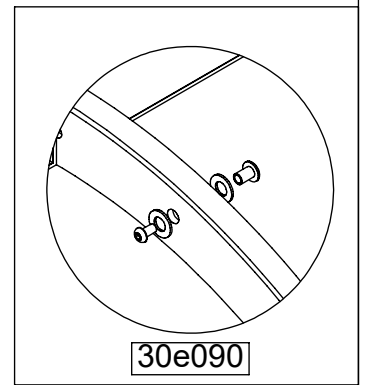
[cm]





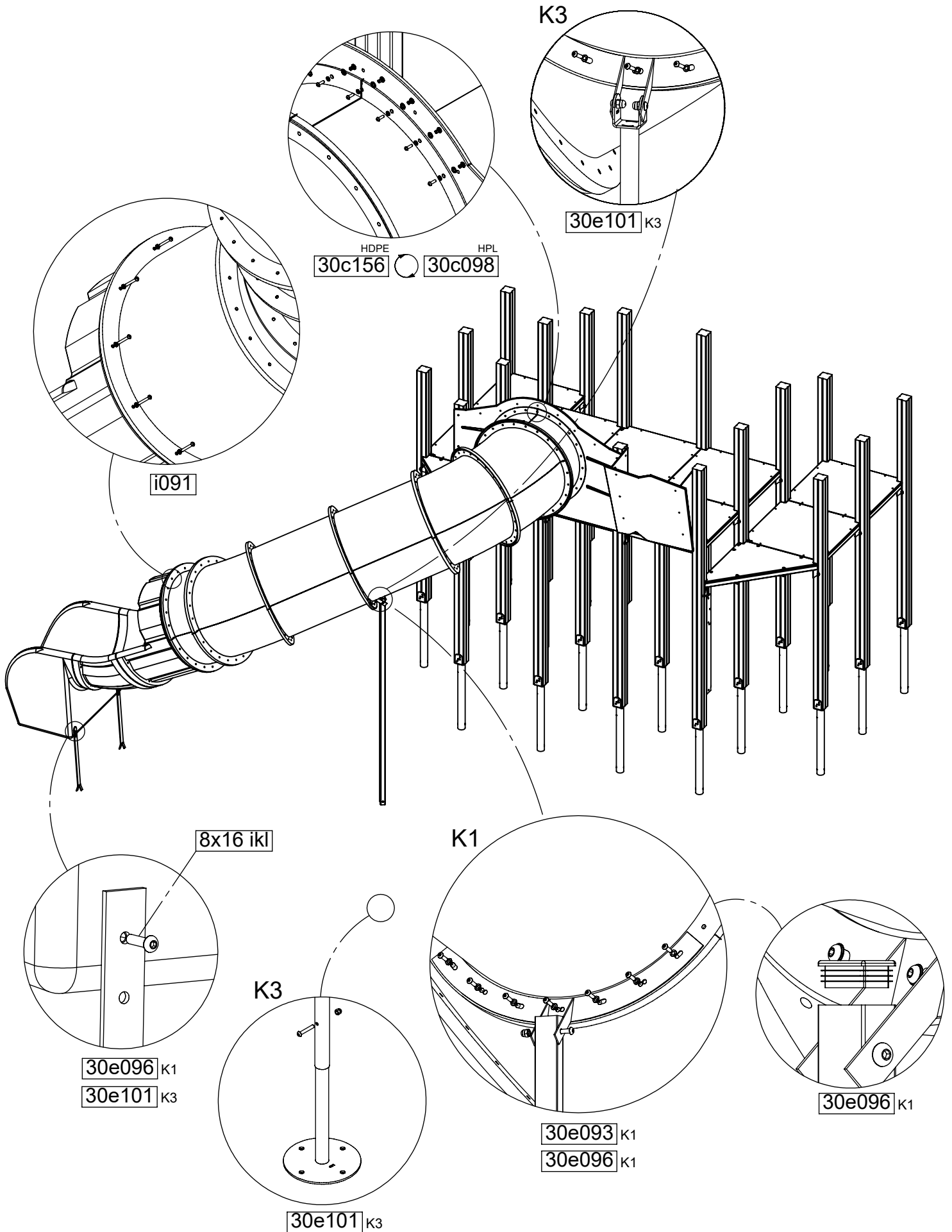
30e092





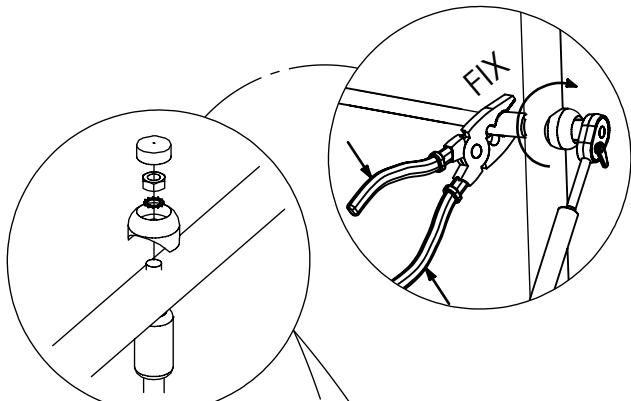
30e095

[cm]

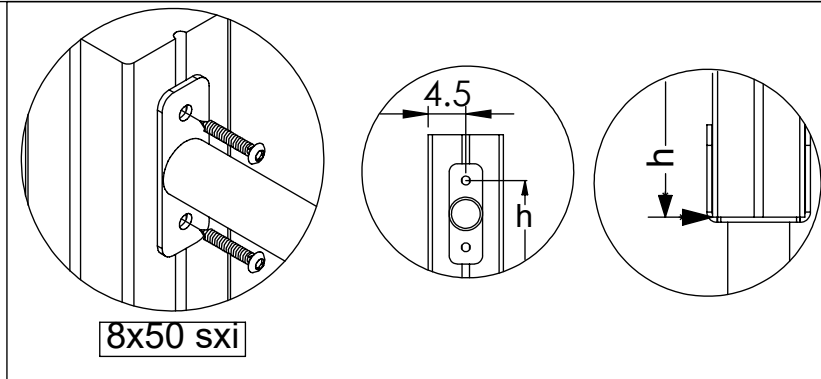


[cm]

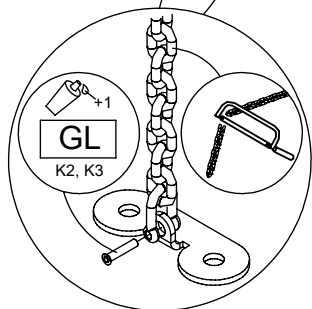
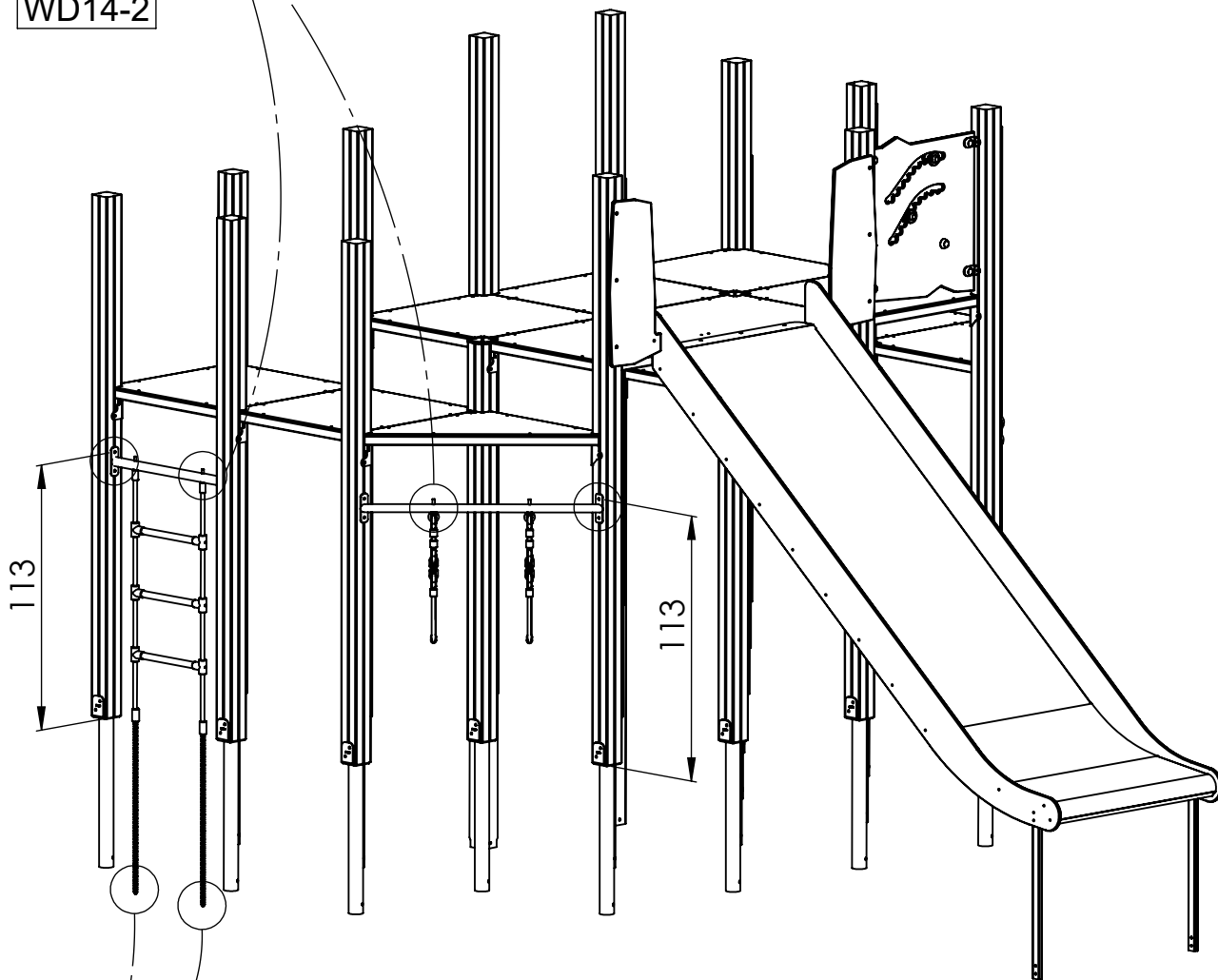




WD14-2



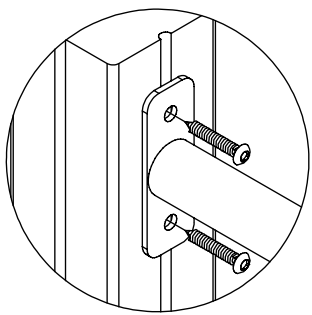
8x50 sxi



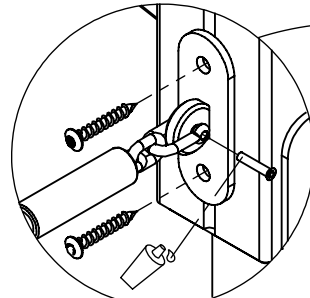
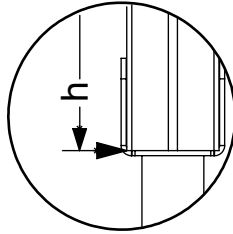
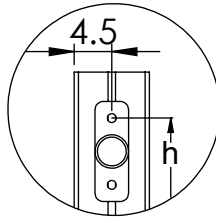
WD52

[cm]

vinci
play

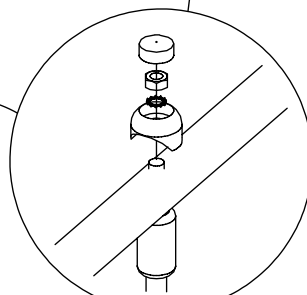
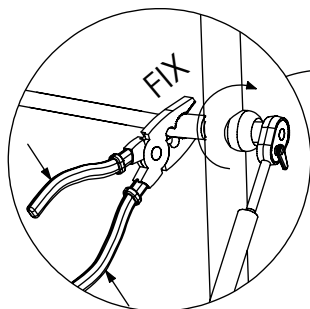
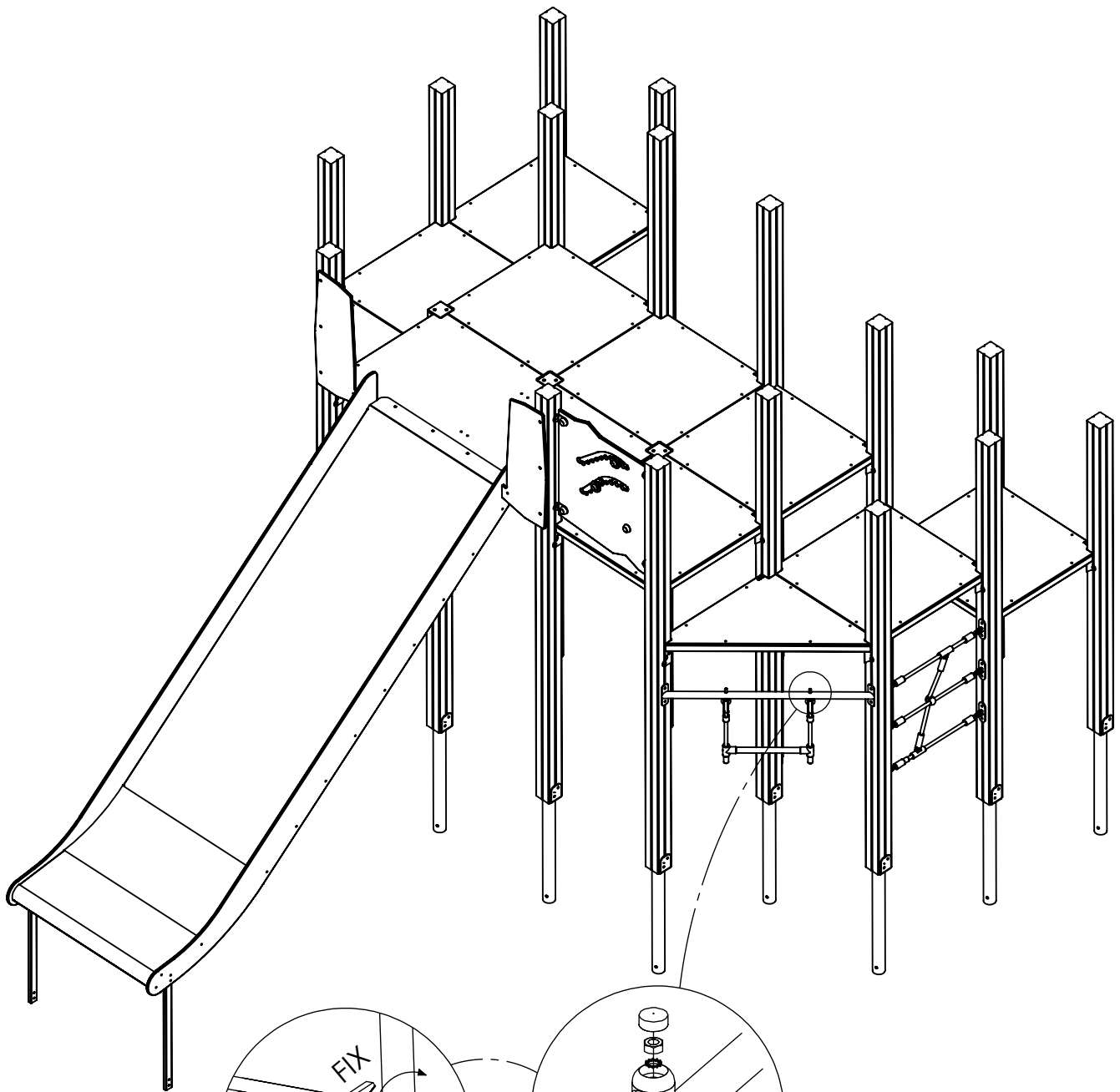
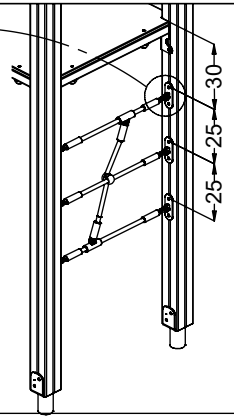


8x50 sxi



WD50

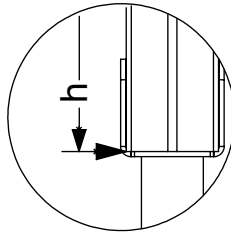
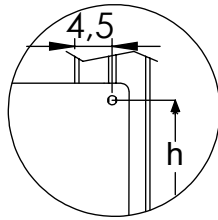
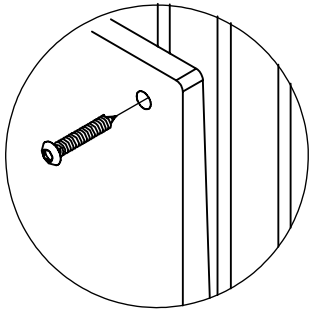
8x50 sxi



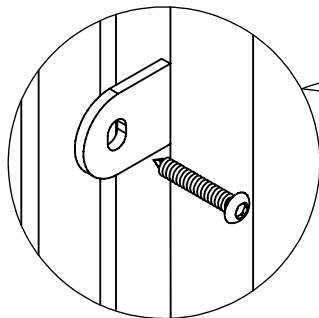
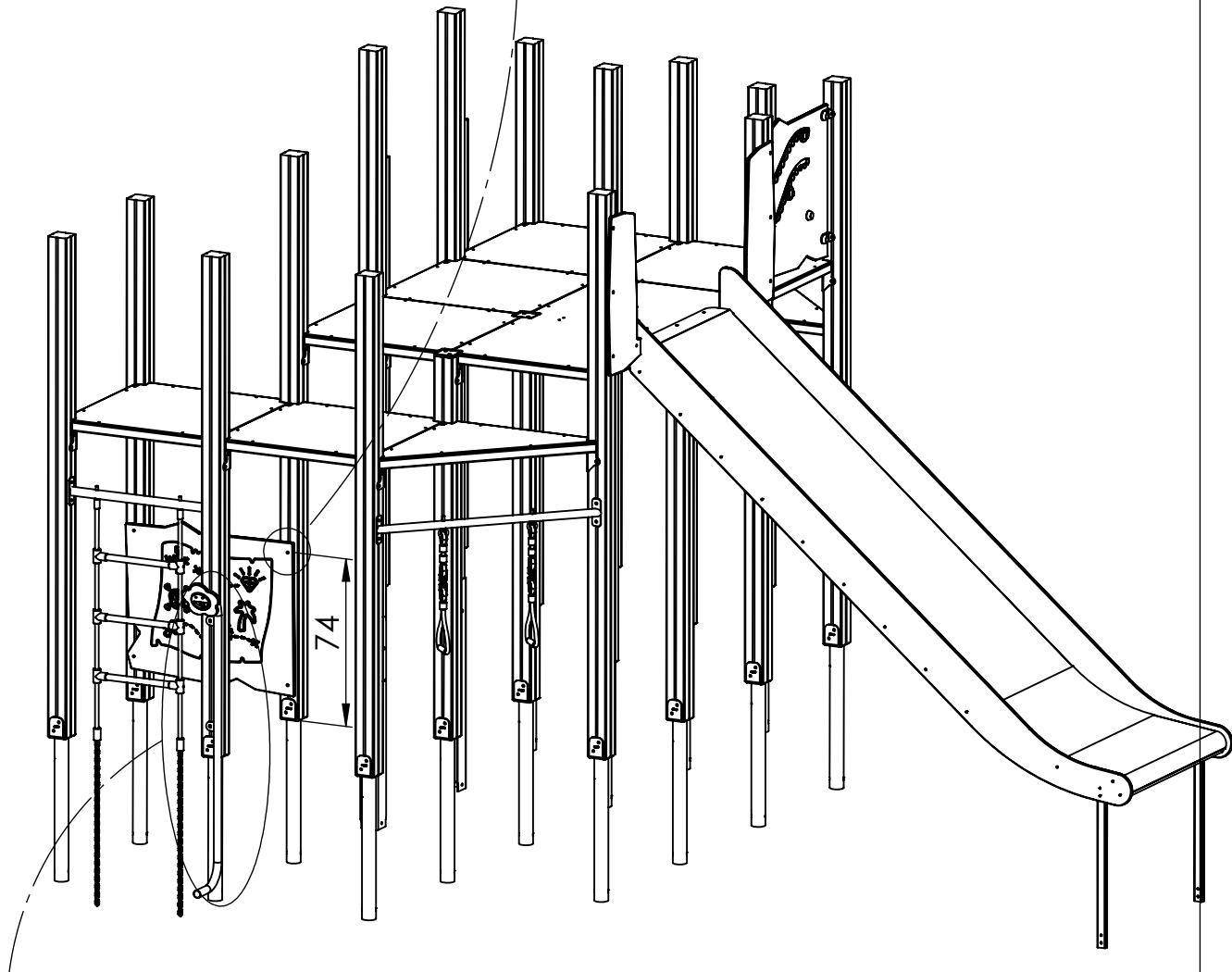
WD14-2

[cm]

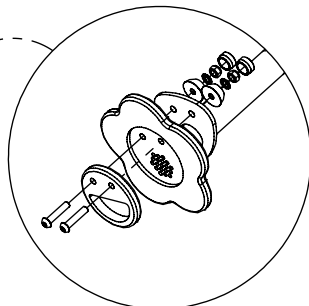
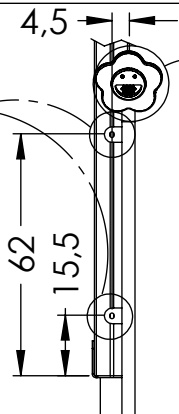
vinci
play



8x50 sxi



8x50 sxi



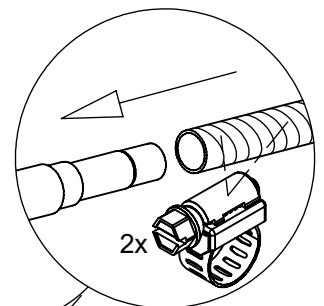
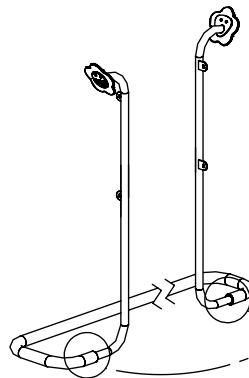
HDPE

WD182



HPL

WD181

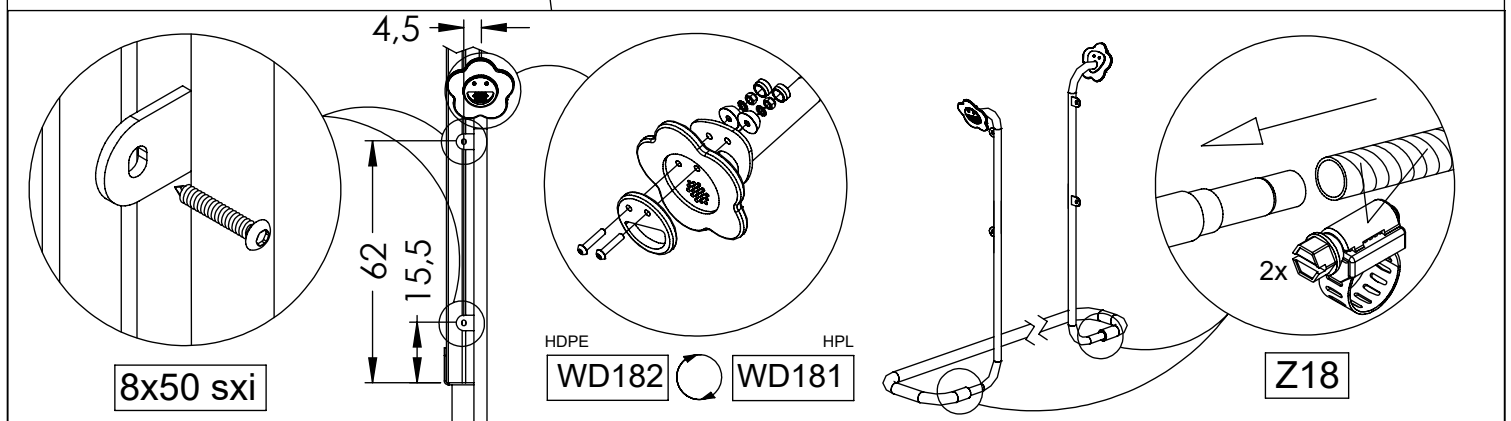
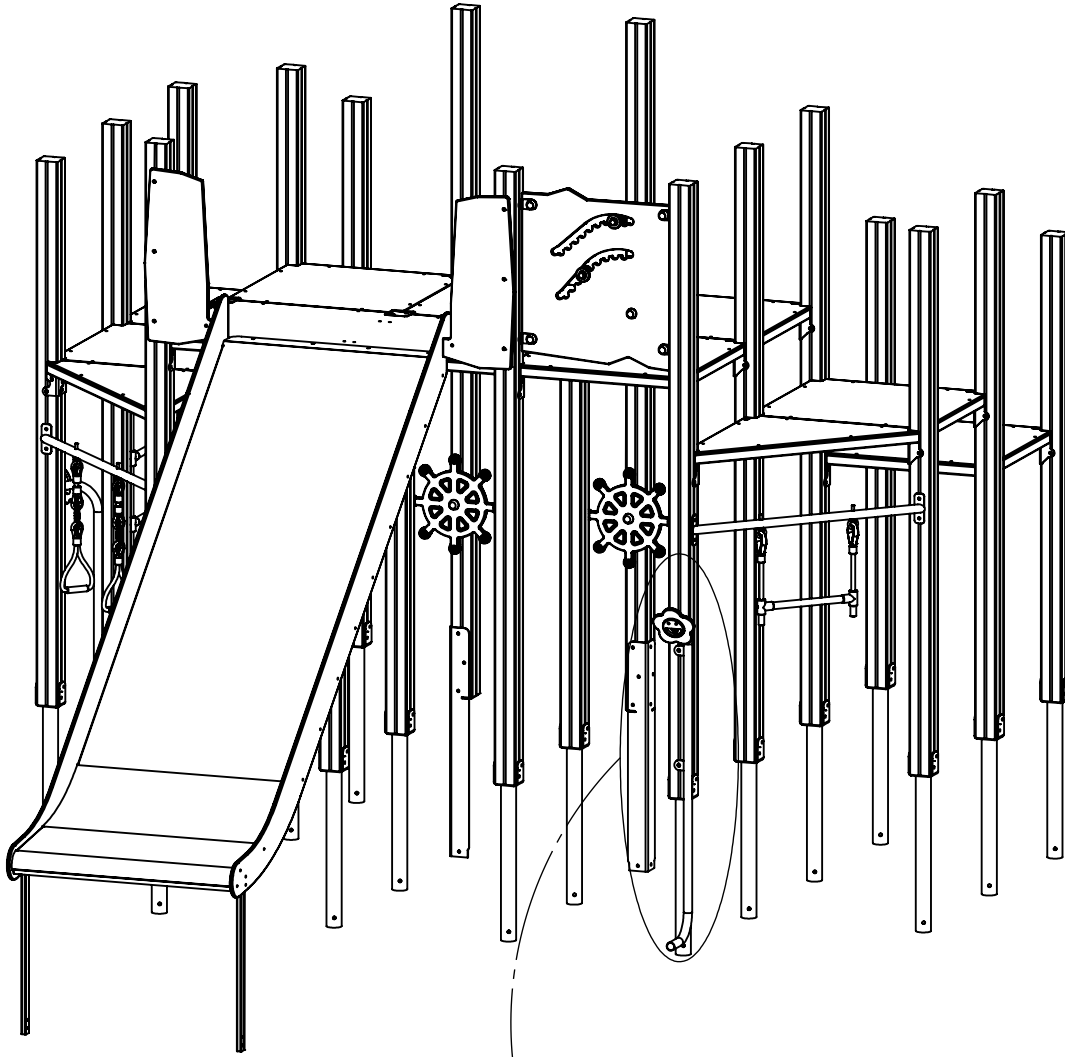
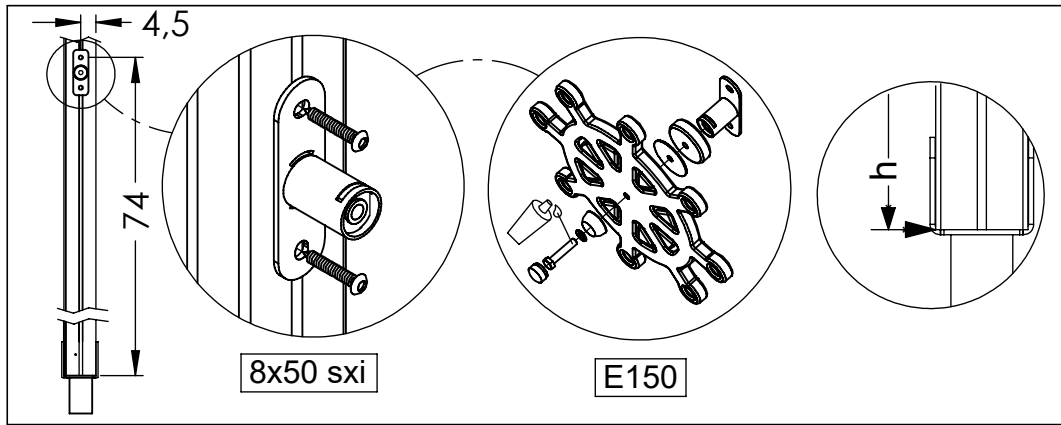


2x

Z18

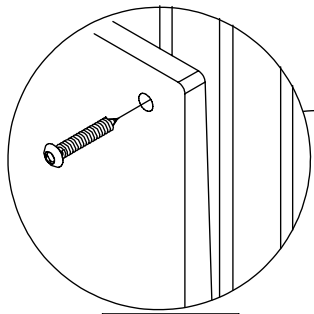
[cm]

vinci play

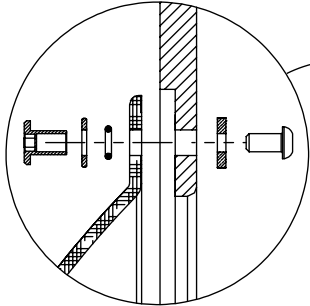
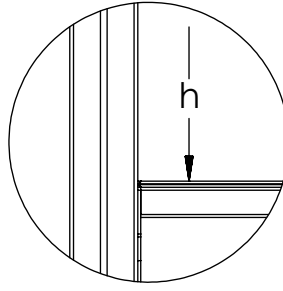
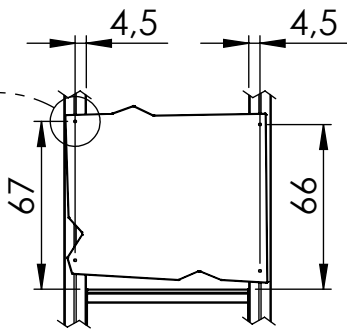


[cm]

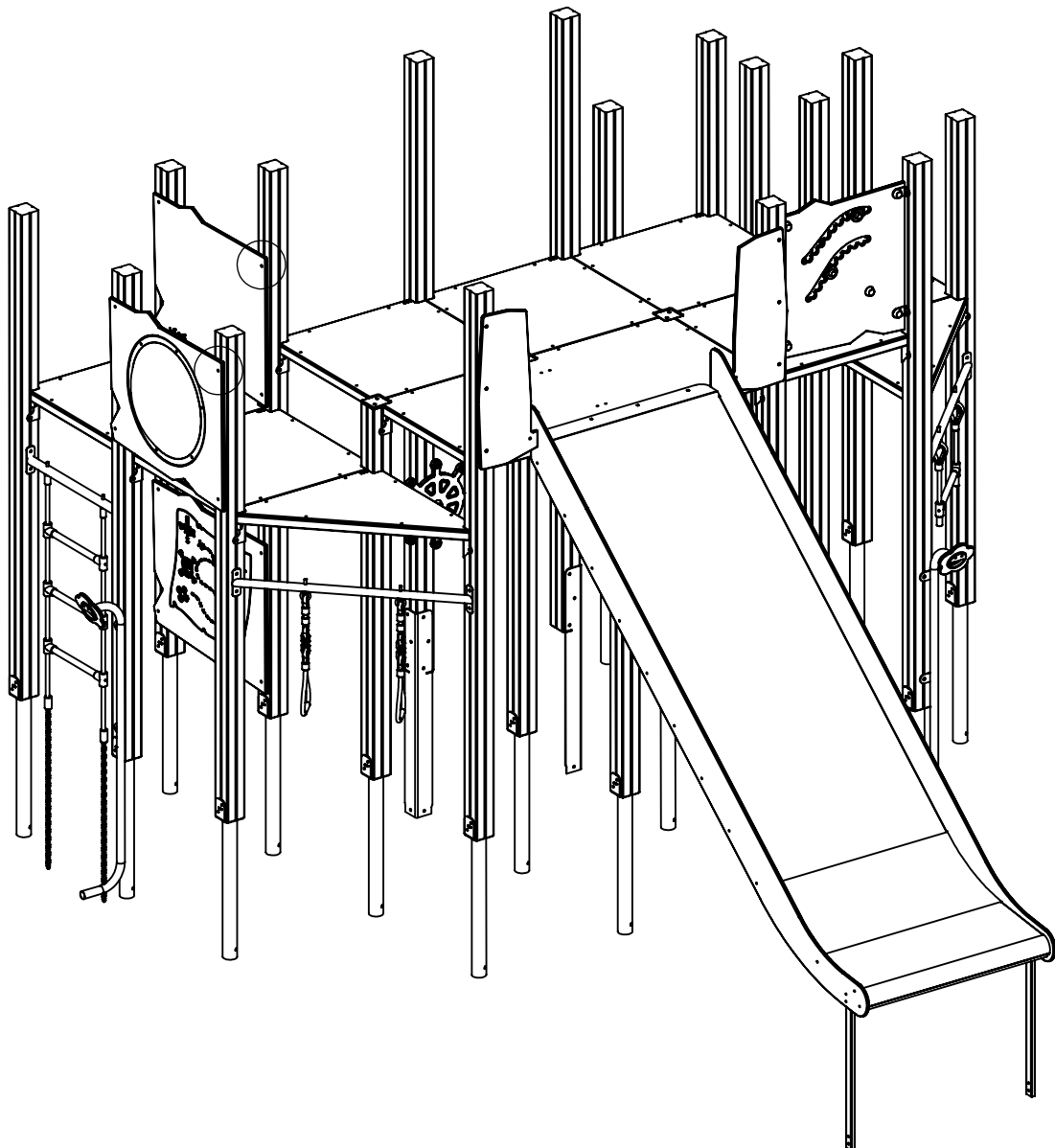
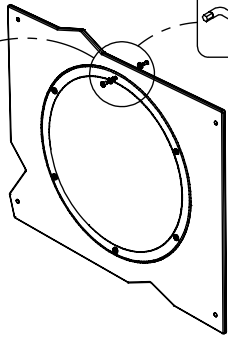
vinci
play



8x50 sxi

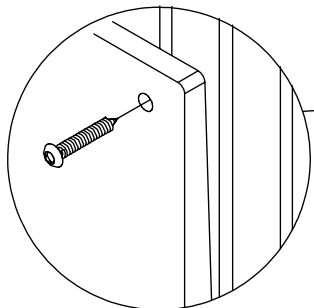


HDPE CE9 HPL CL9

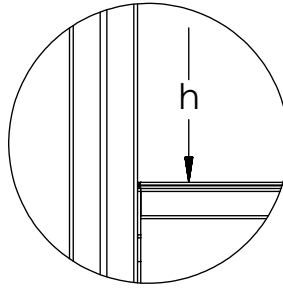
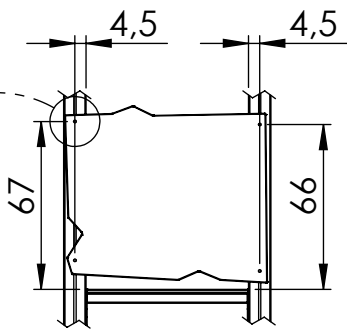


[cm]

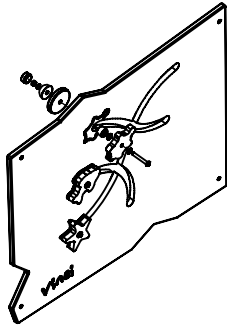
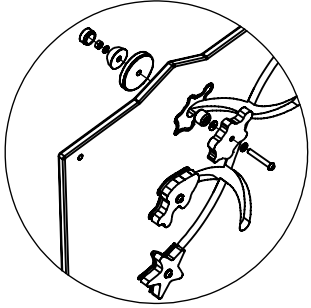
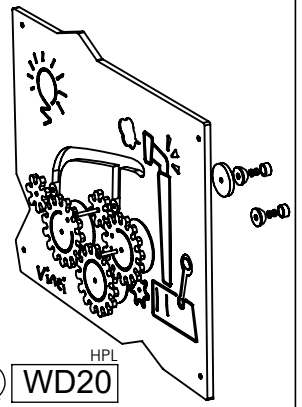
vinci play



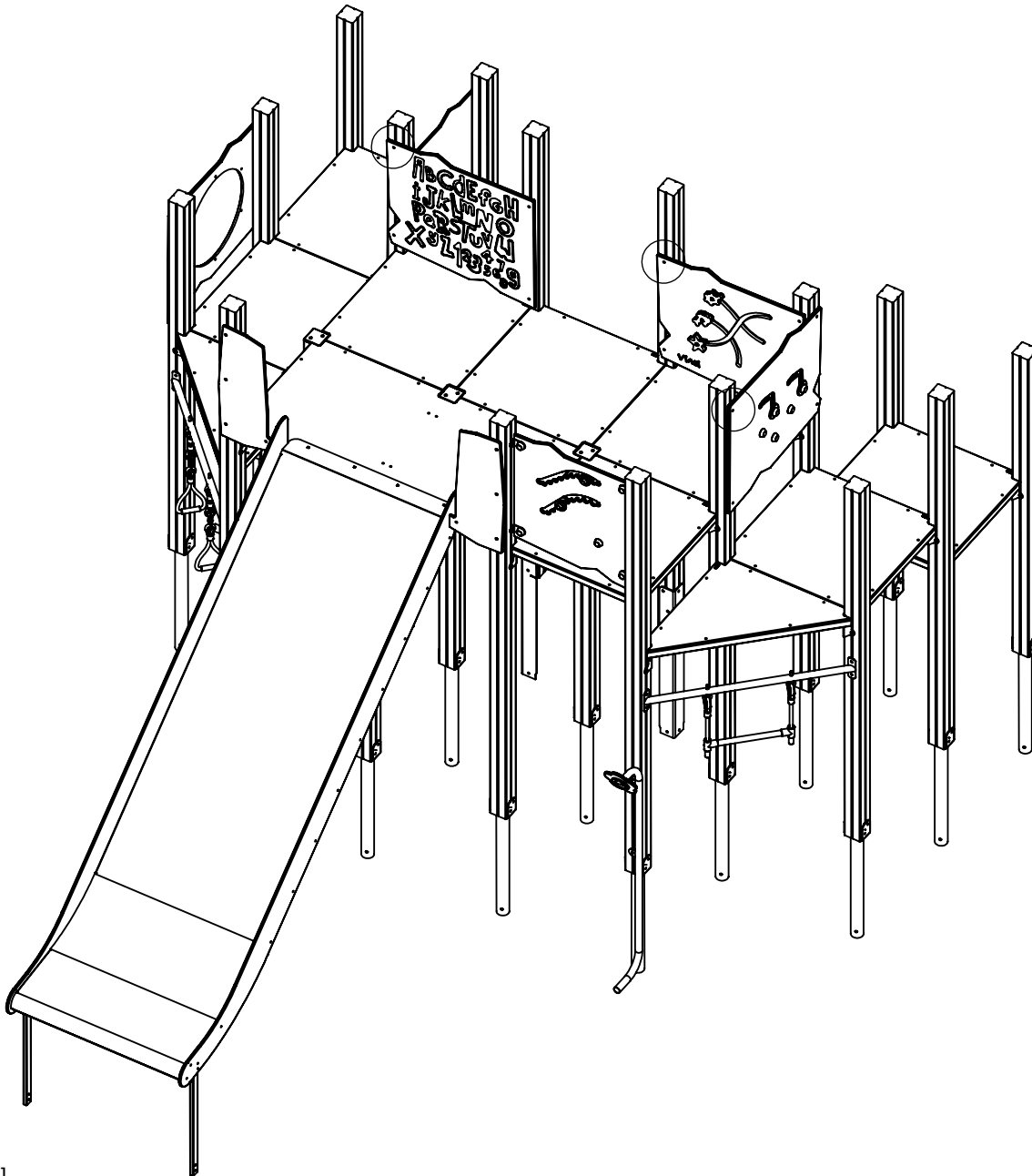
8x50 sxi



HDPE WD19 HPL WD20

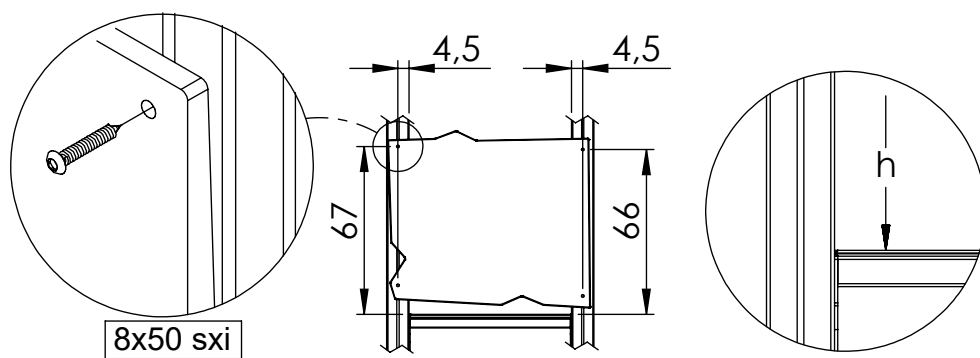
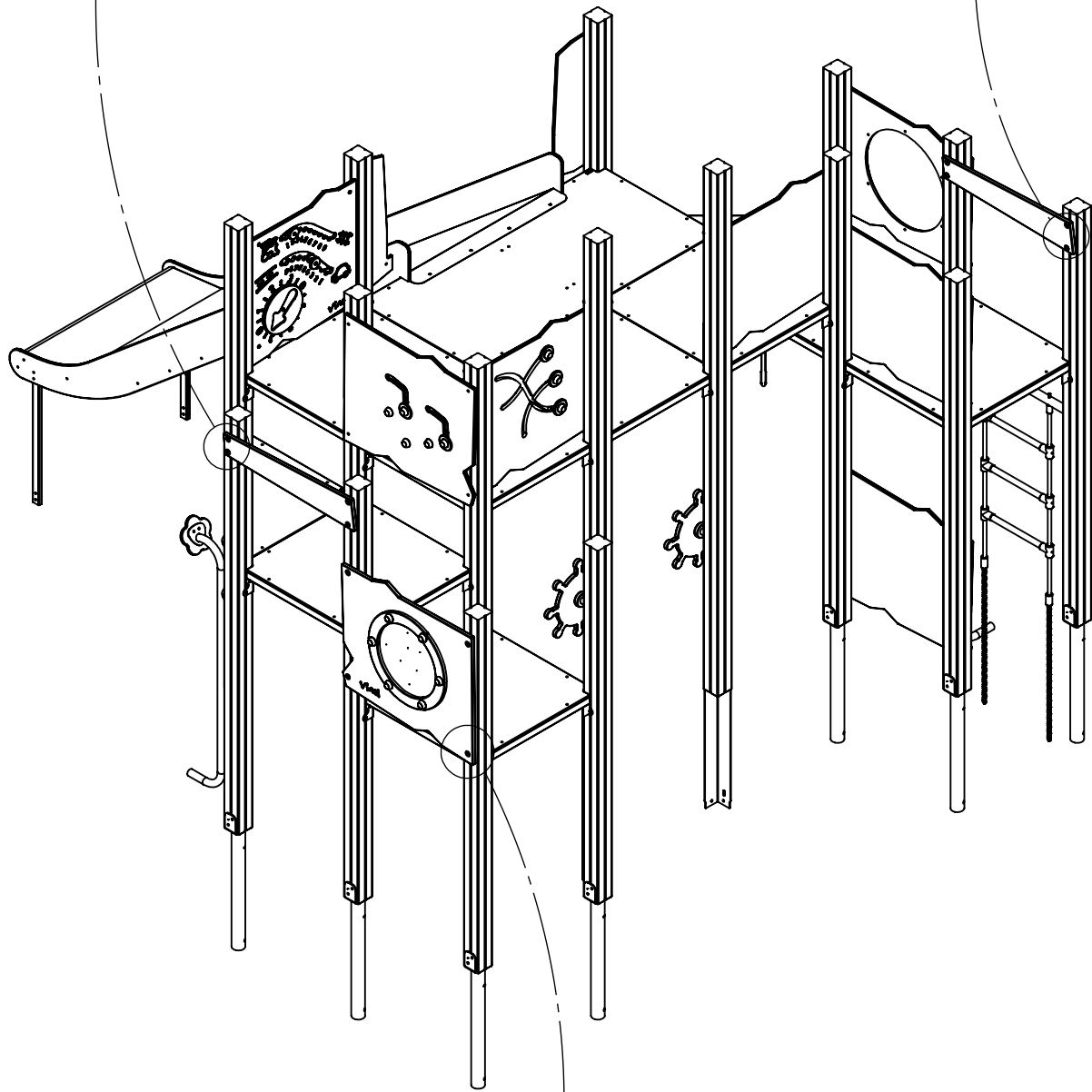
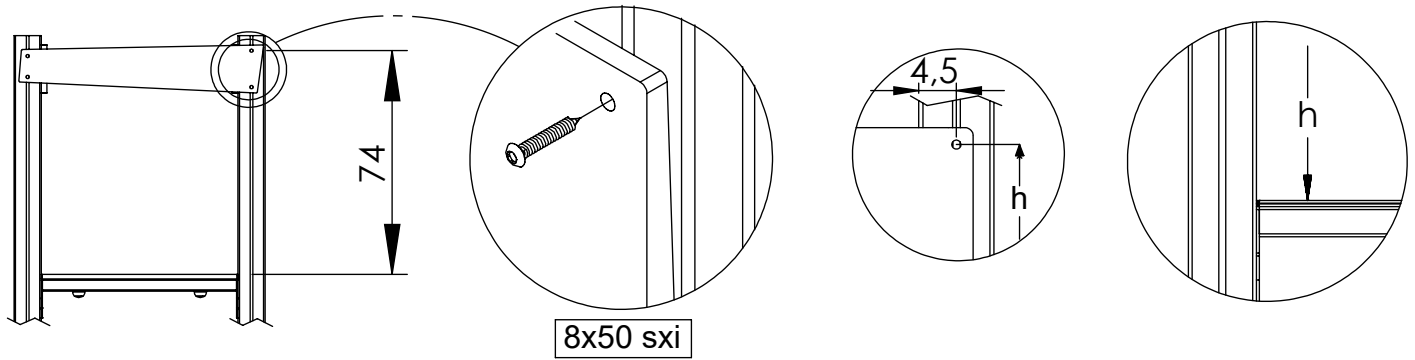


HDPE CE8 HPL CL8



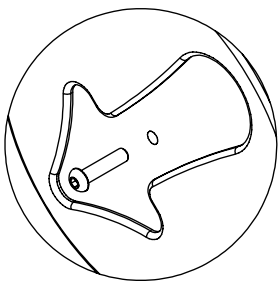
[cm]

vinci play

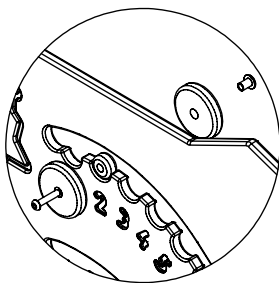


[cm]

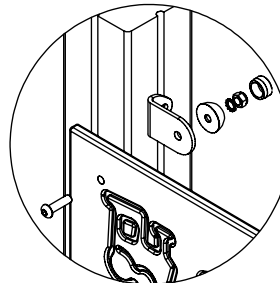
vinci
play



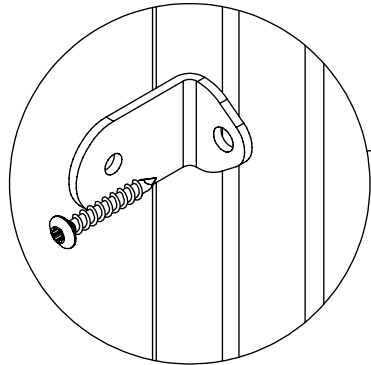
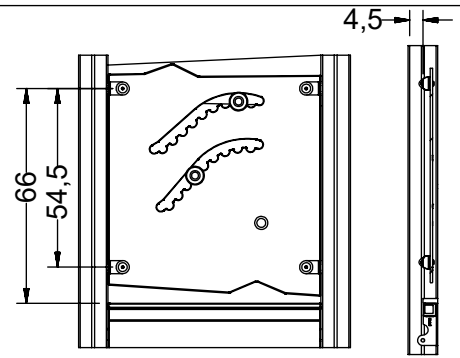
PLYWOOD
CE83



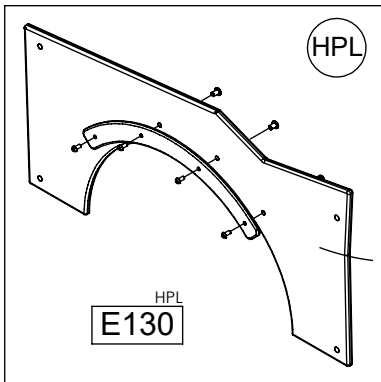
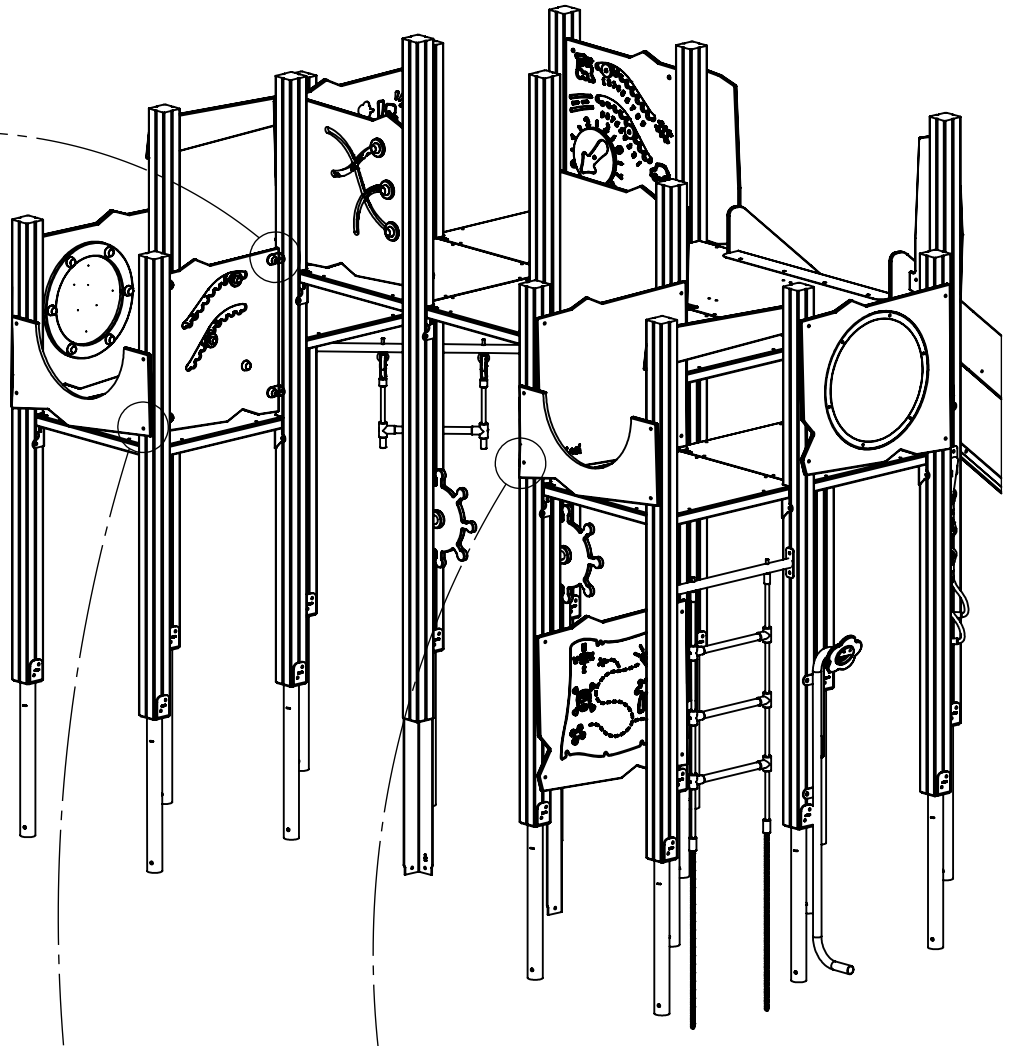
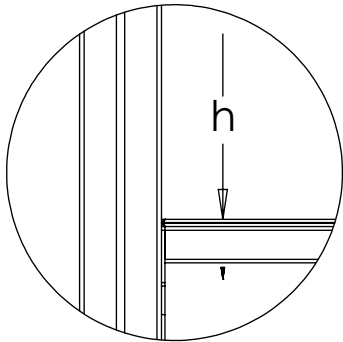
PLYWOOD
WE126



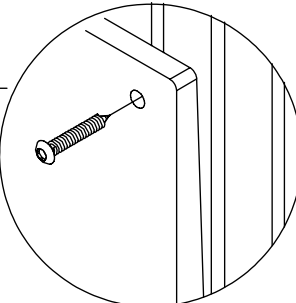
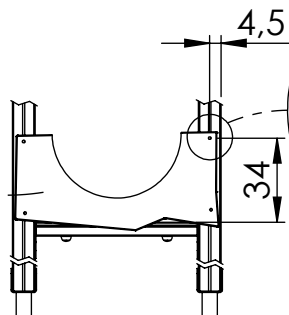
PLYWOOD
WE125



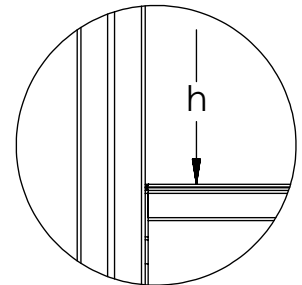
8x50 sxi
i128-1

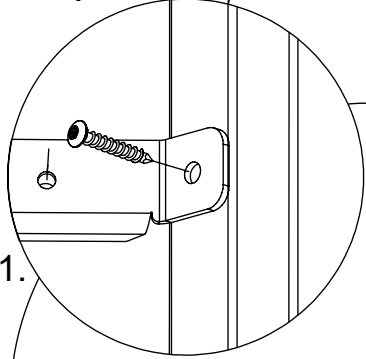
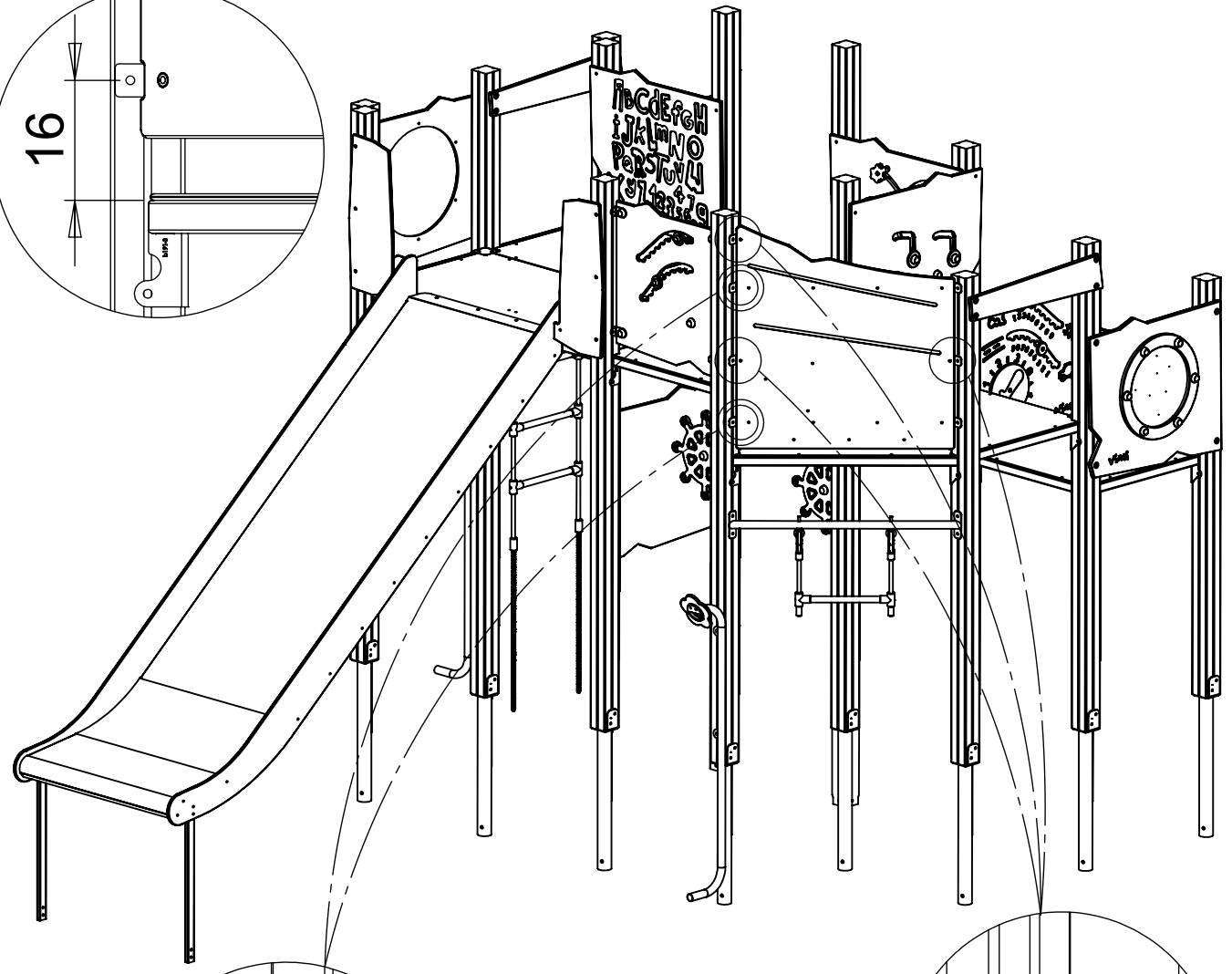
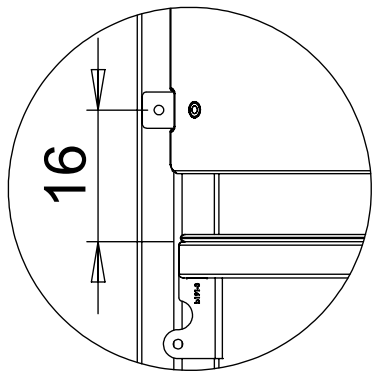


HPL
E130

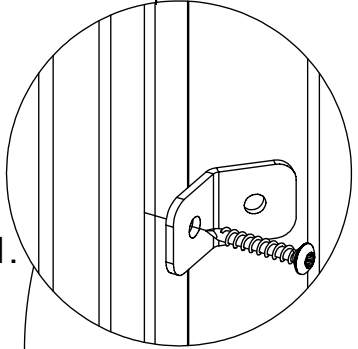


8x50 sxi

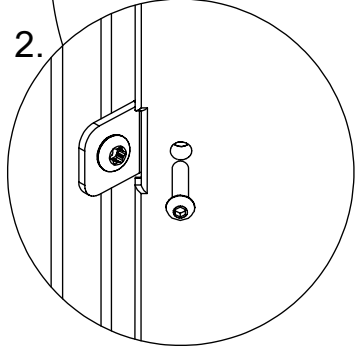




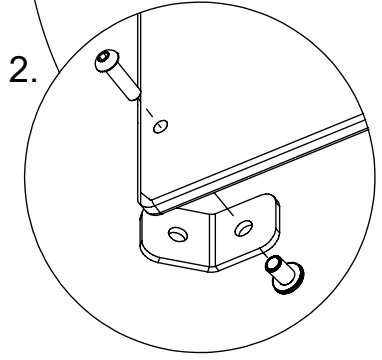
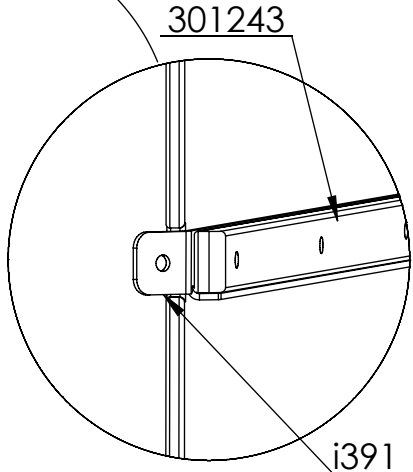
8x50 sxi



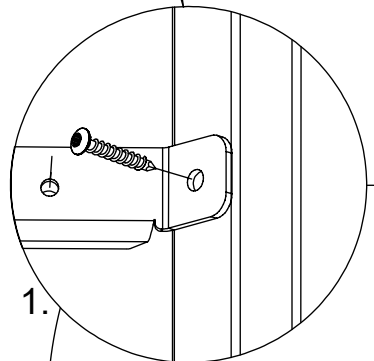
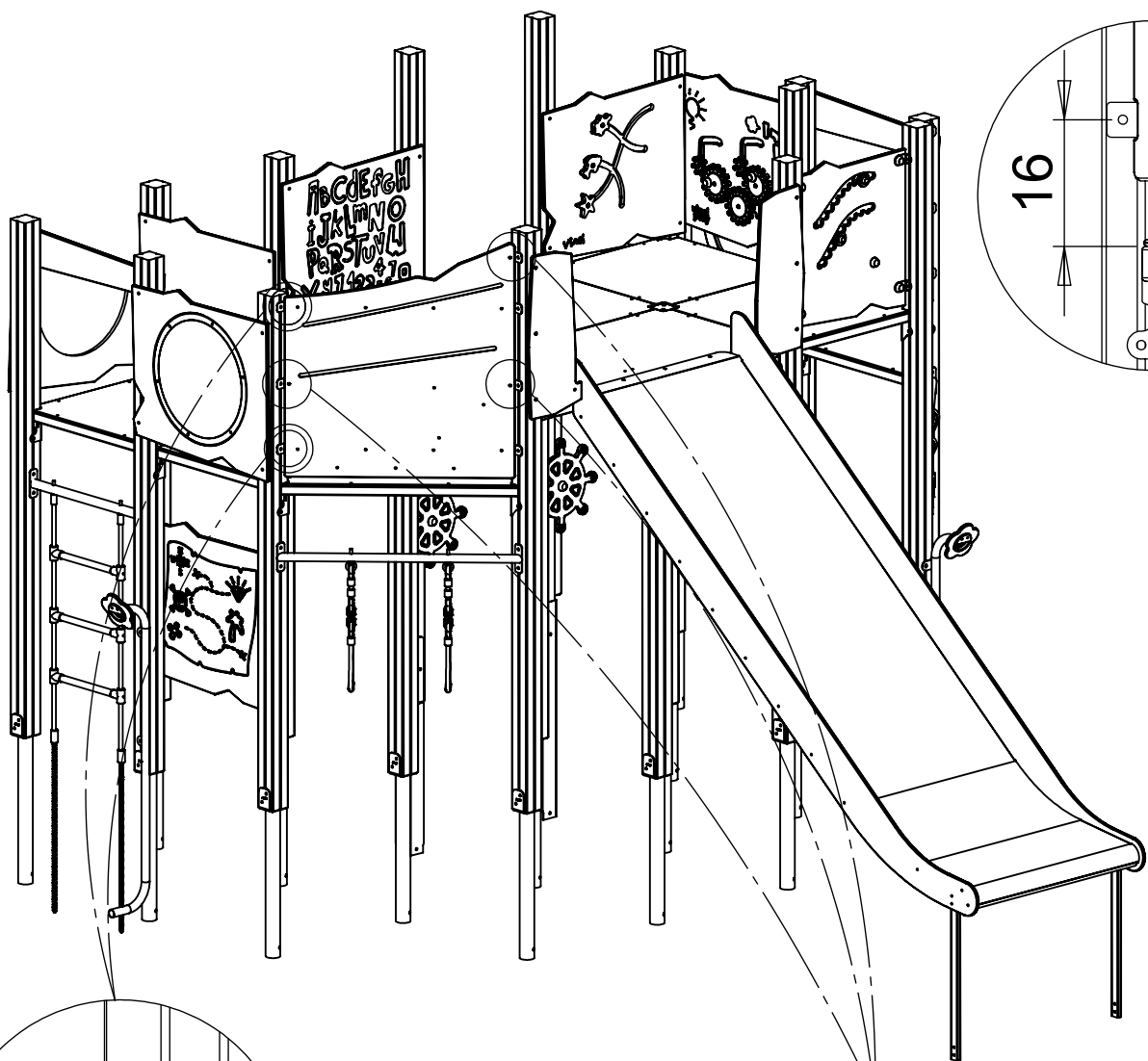
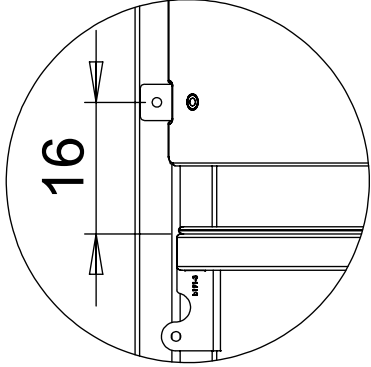
8x50 sxi



c140

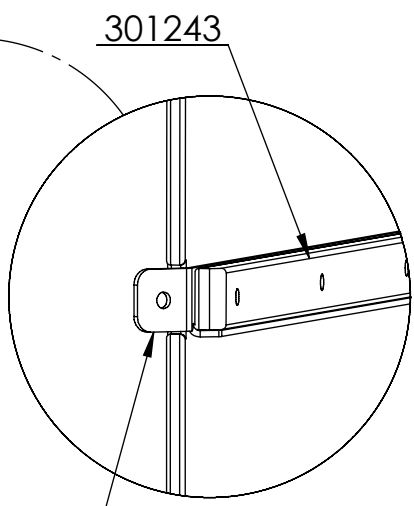


c140



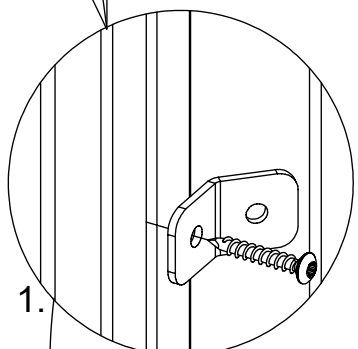
8x50 sxi

1.



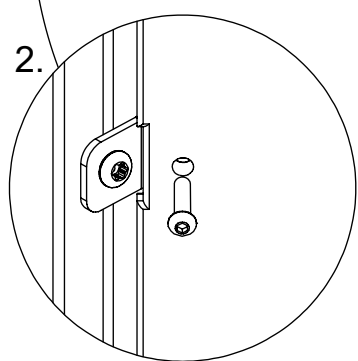
301243

i391



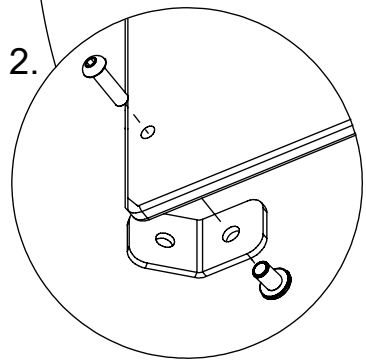
8x50 sxi

1.



c140

2.

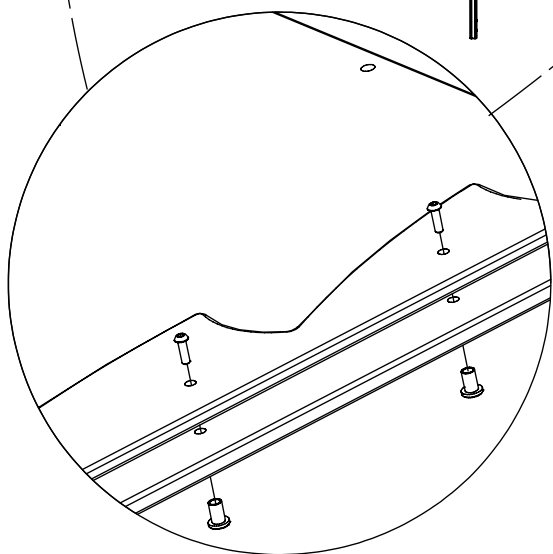
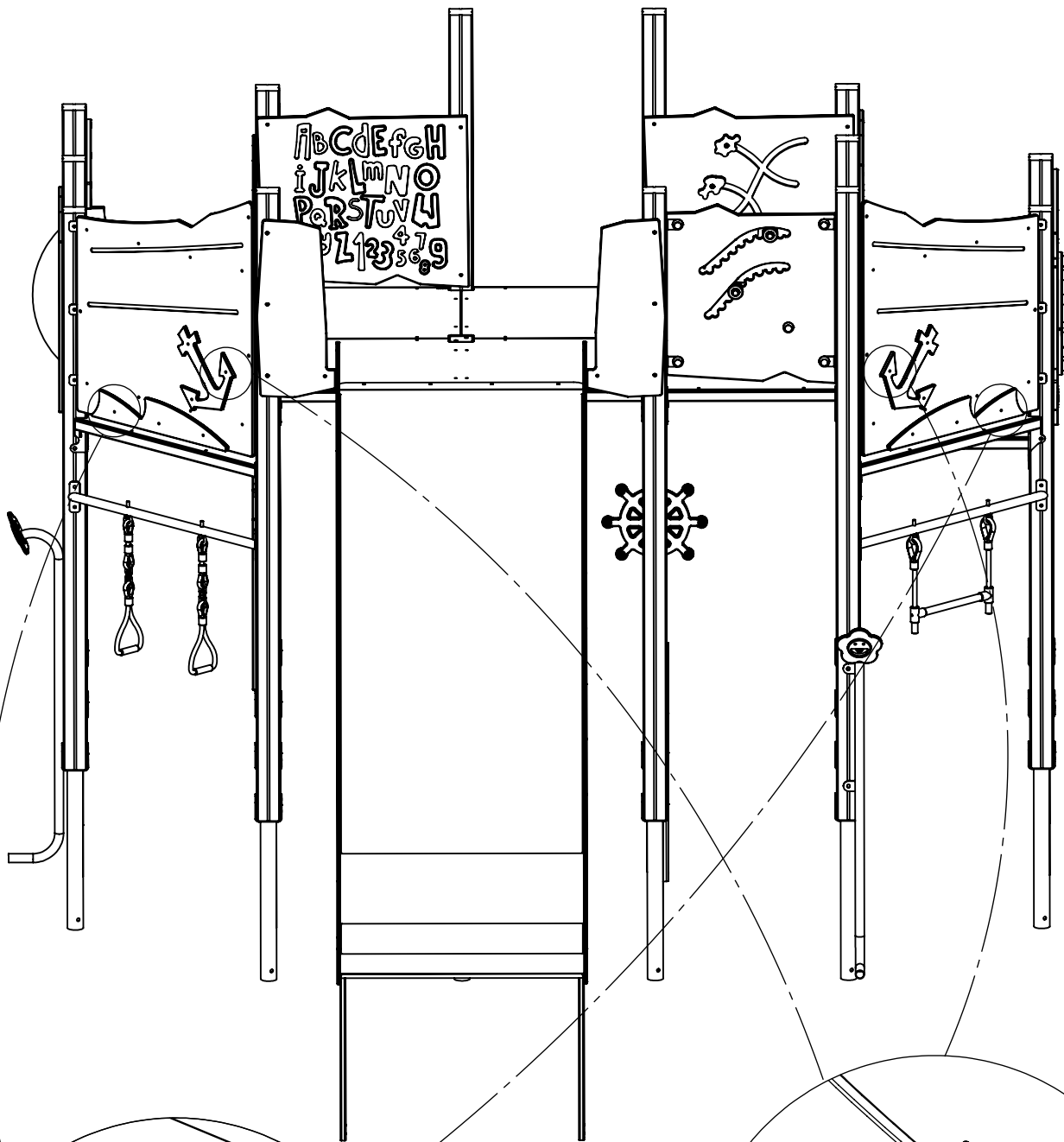


c140

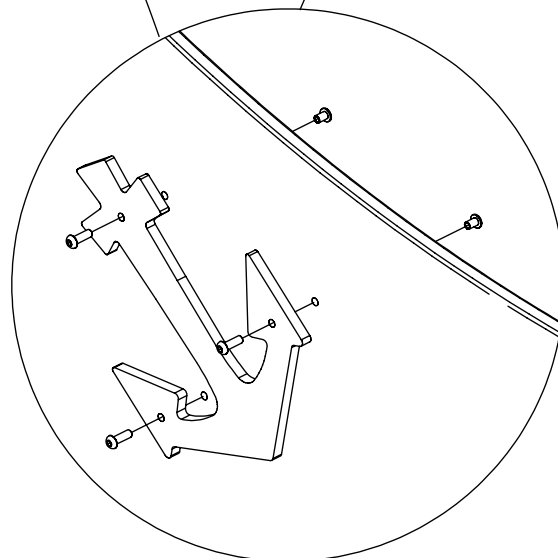
2.

[cm]

vinci
play



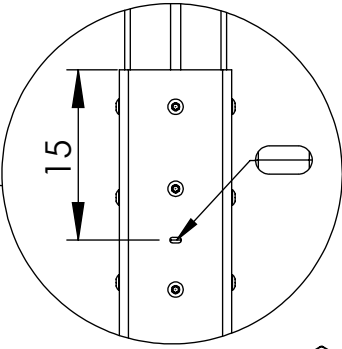
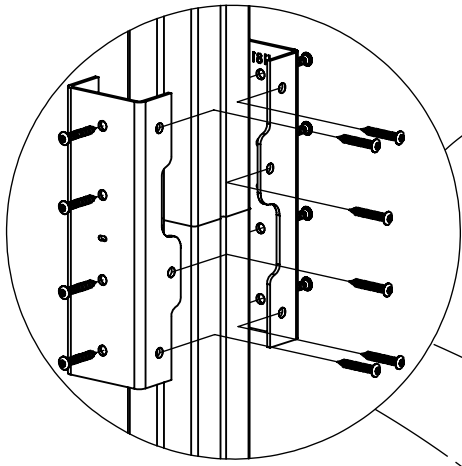
HDPE HPL
 c080 c074



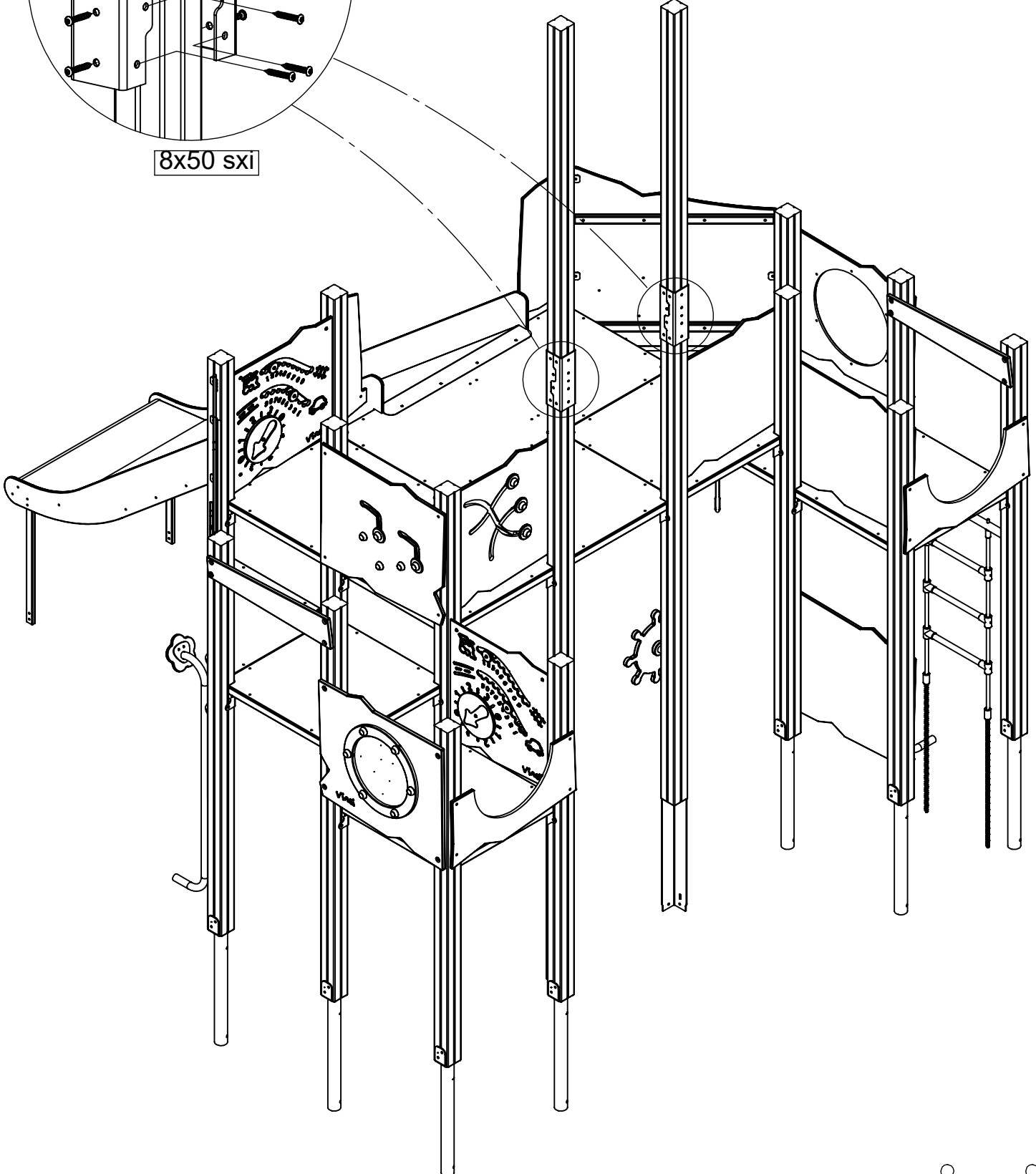
HDPE HPL
 c080 c074

[cm]

vinci
 play

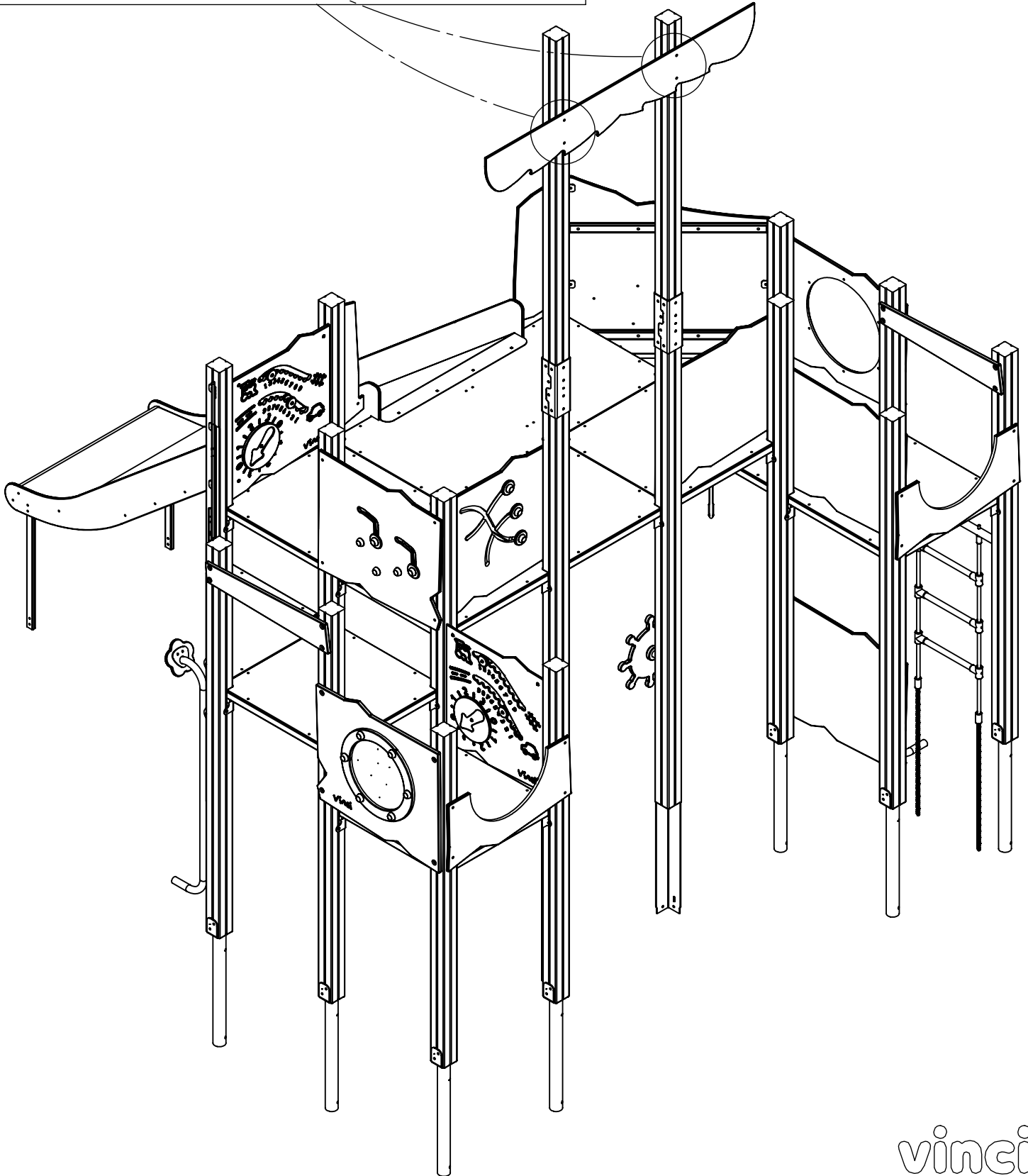
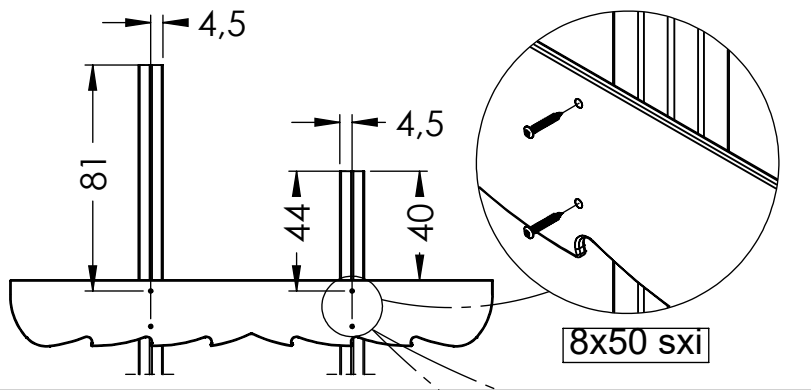


8x50 sxi



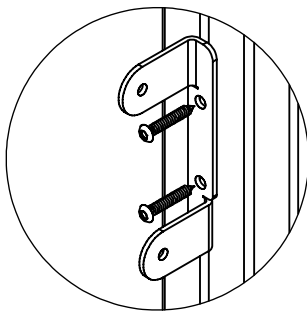
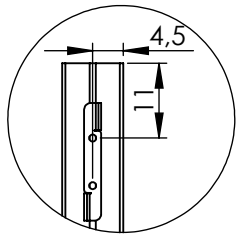
[cm]

vinci
play

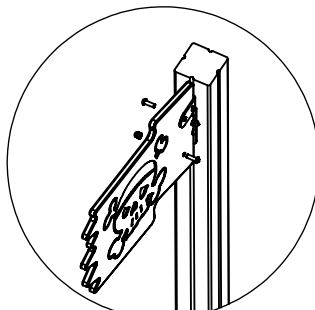


[cm]

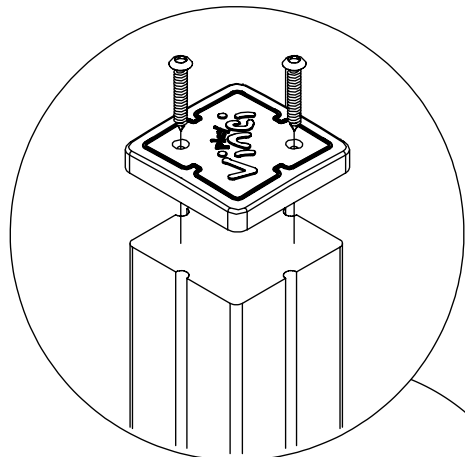
vinci
play



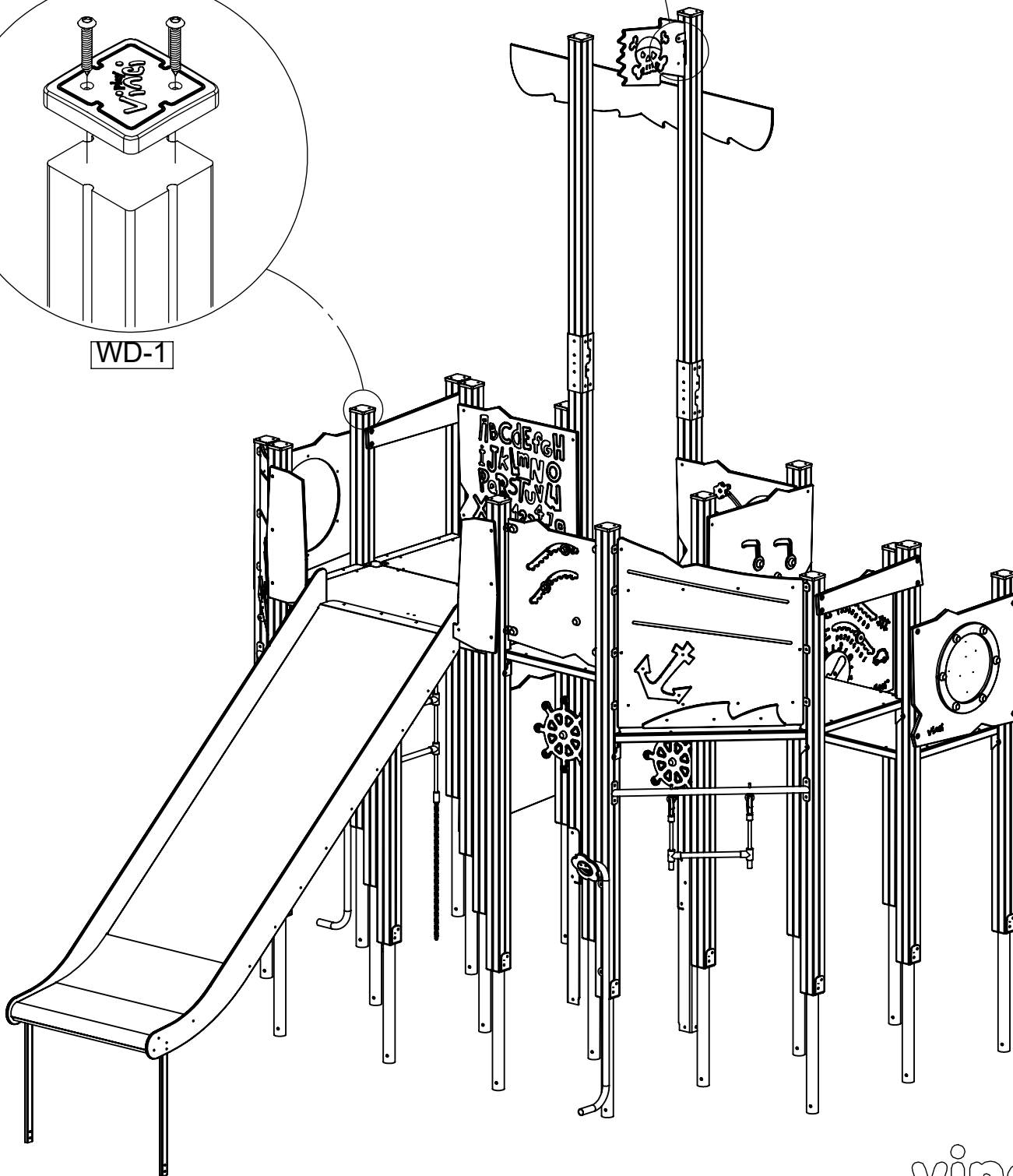
8x50 sxi



i030
WD213^{HPL}

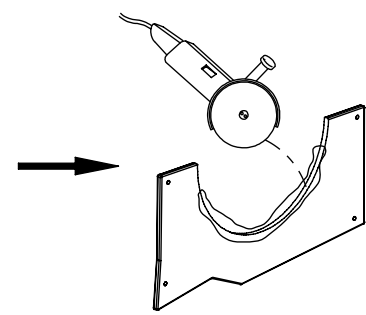
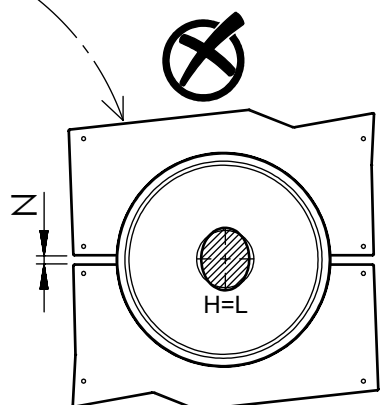
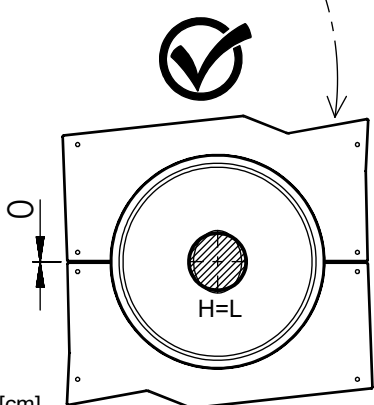
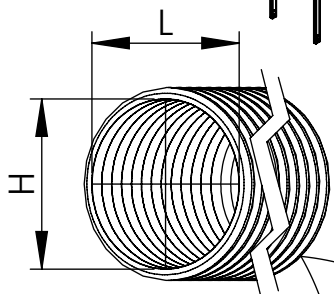
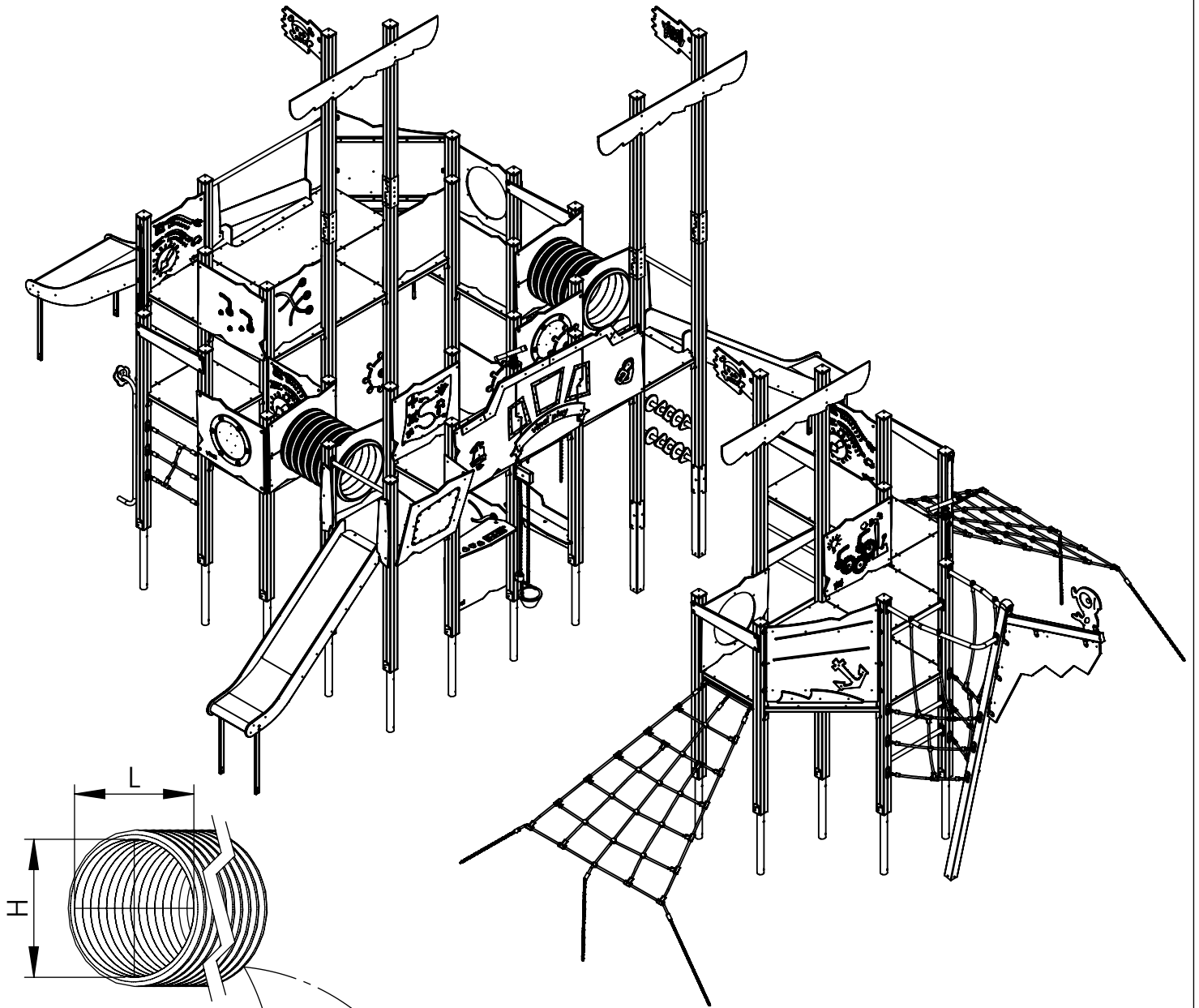
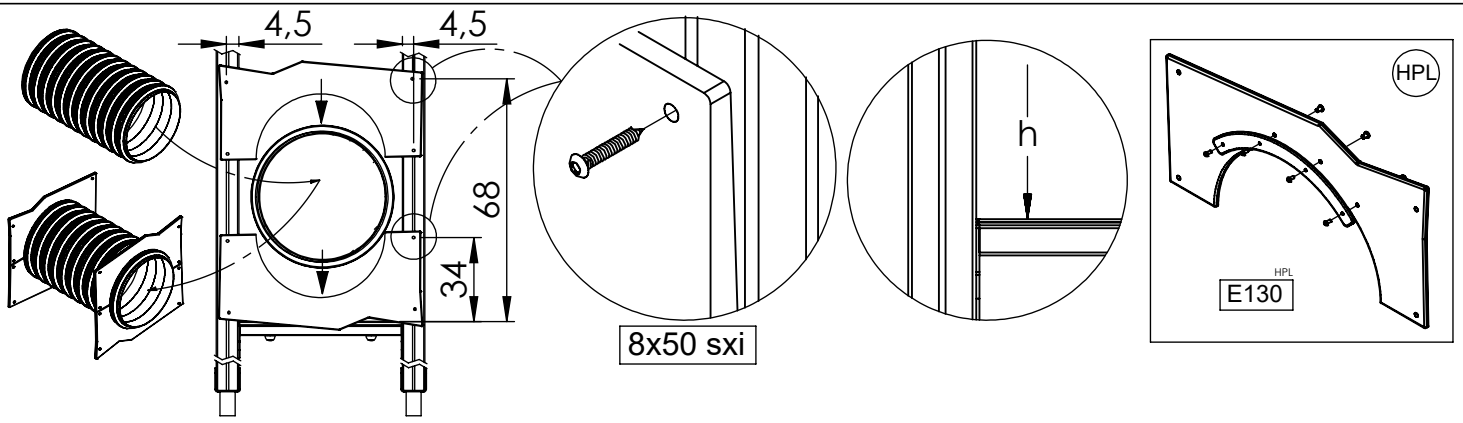


WD-1

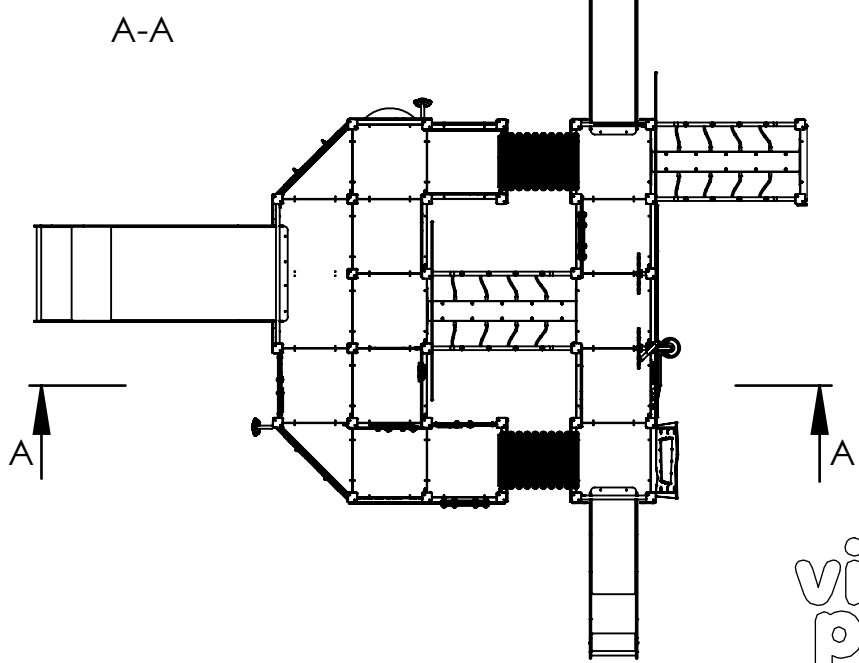
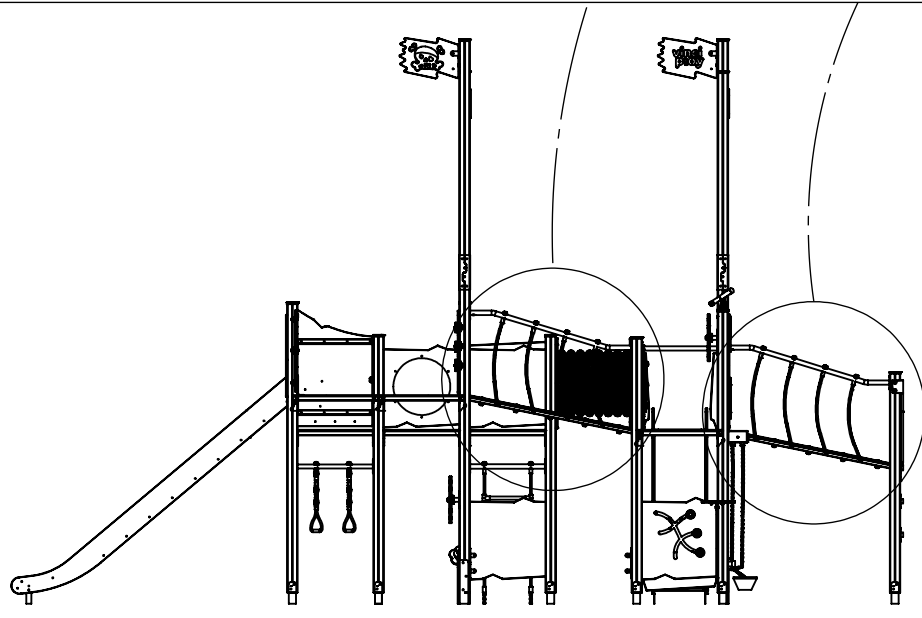
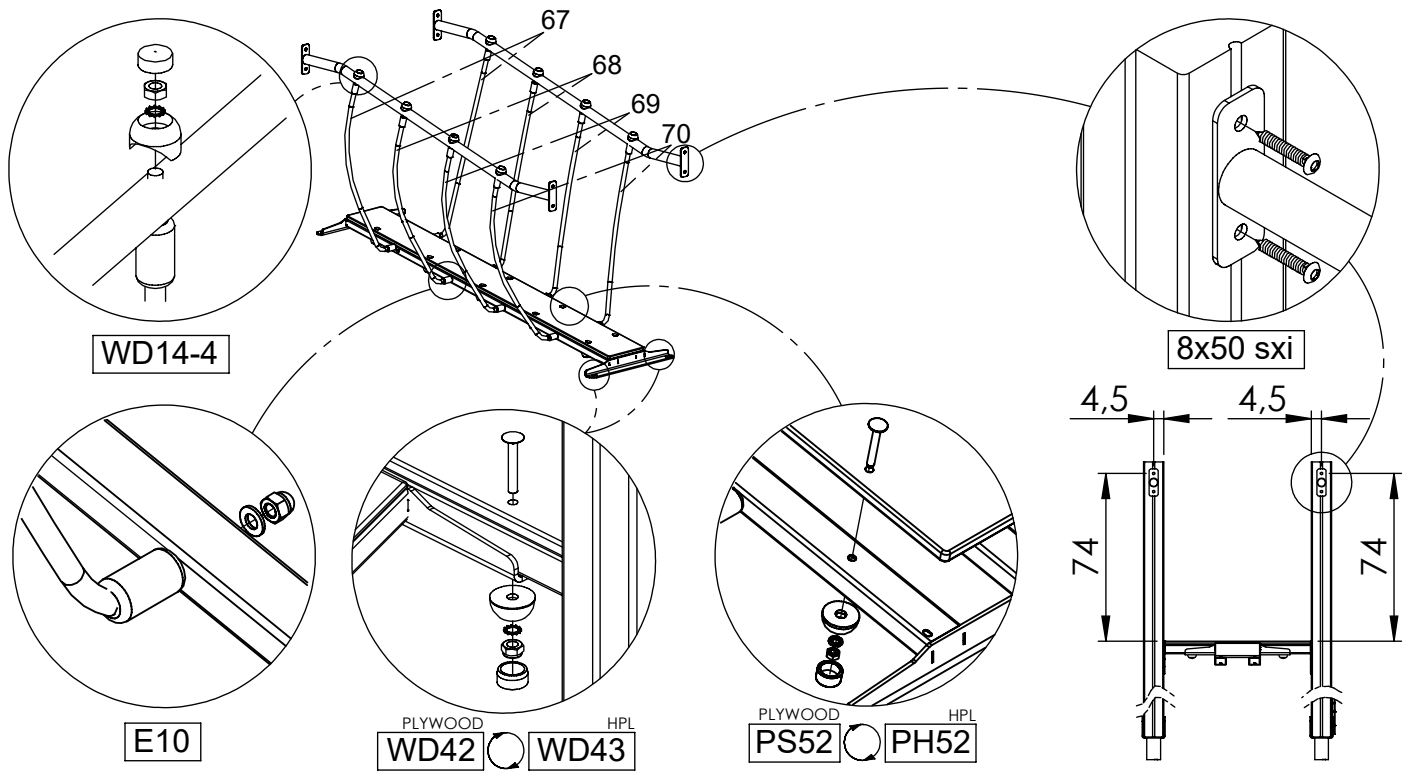


[cm]

vinci
play

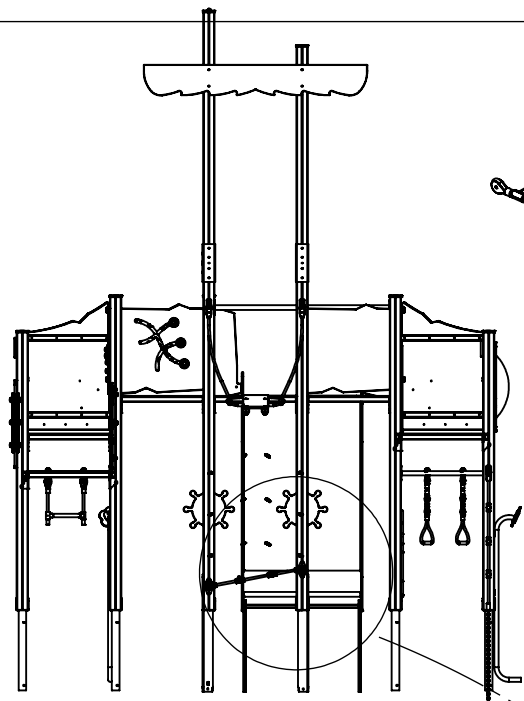


vinci
play

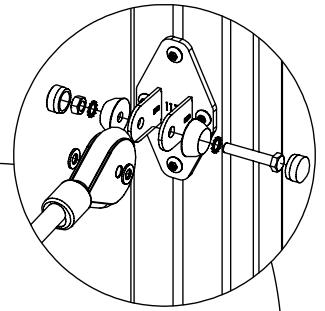
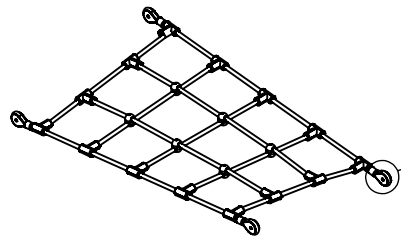


vinci
play

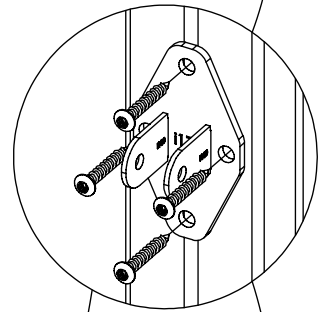
[cm]



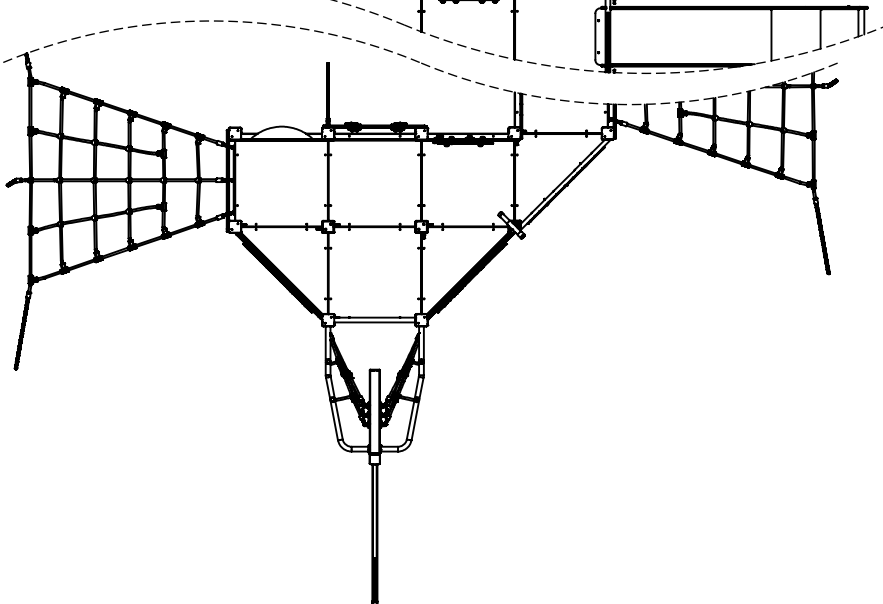
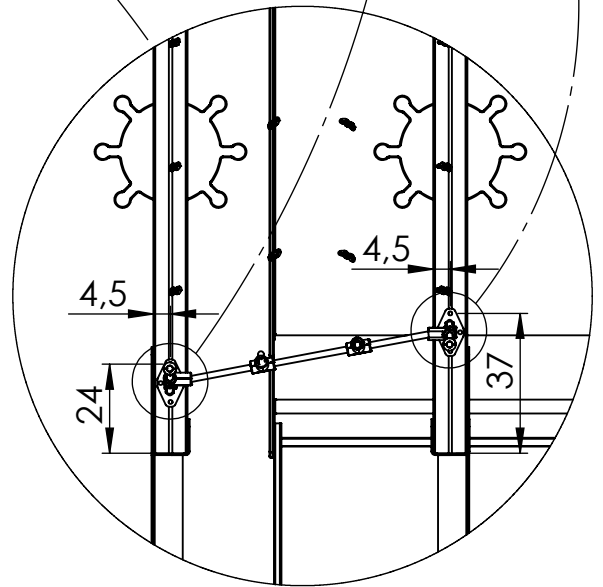
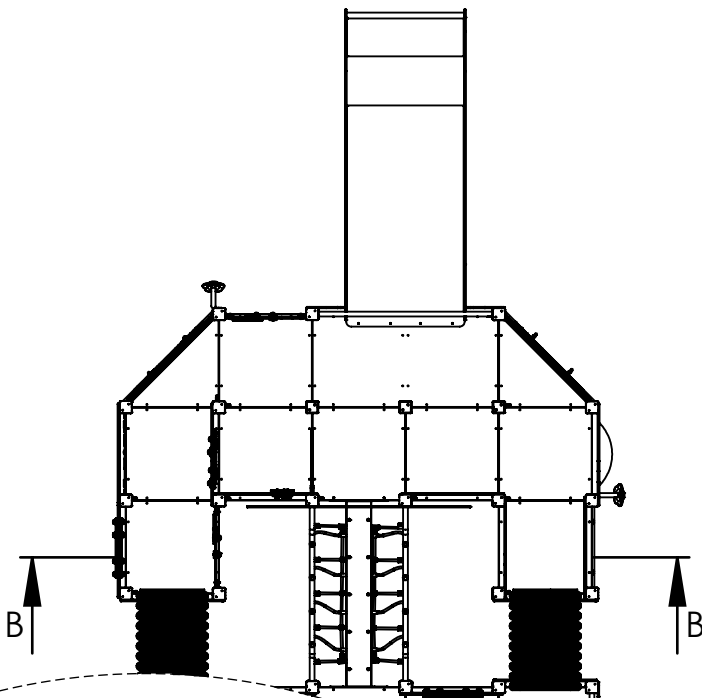
B-B



E169

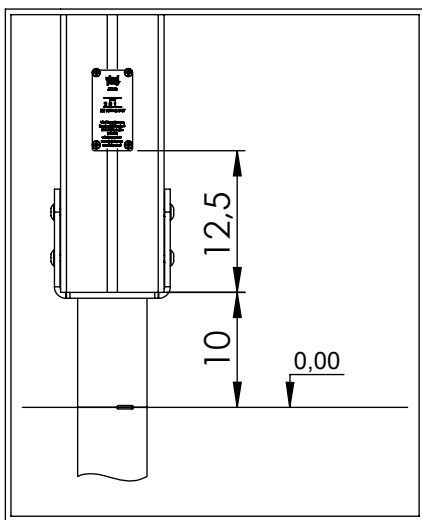
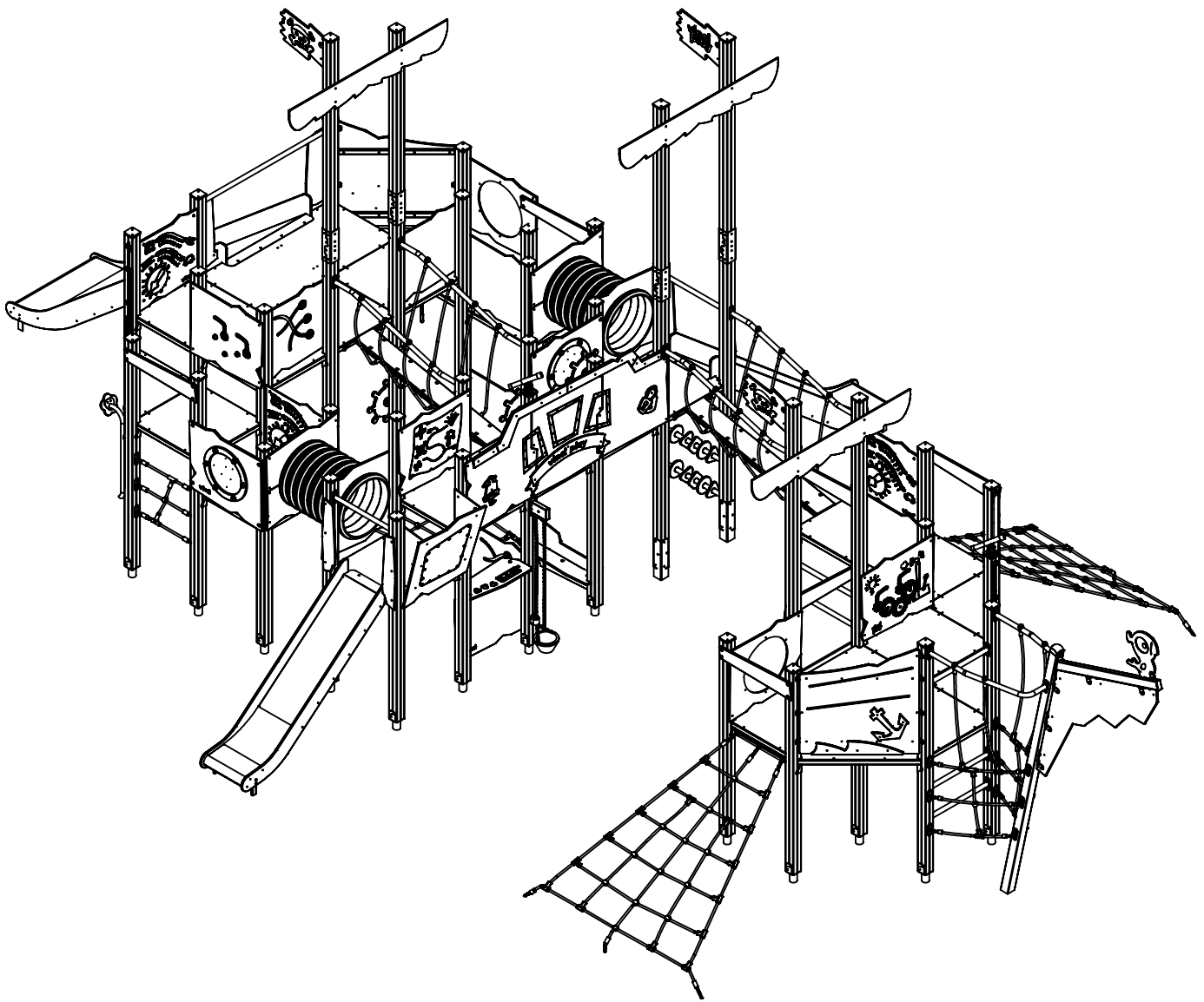


8x50 sxi




[cm]

vinci
play

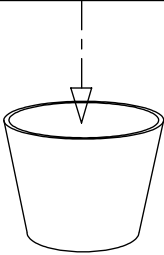


V001

Part No:
 000000-
 00000



000000-00000



[cm]

vinci
 play